

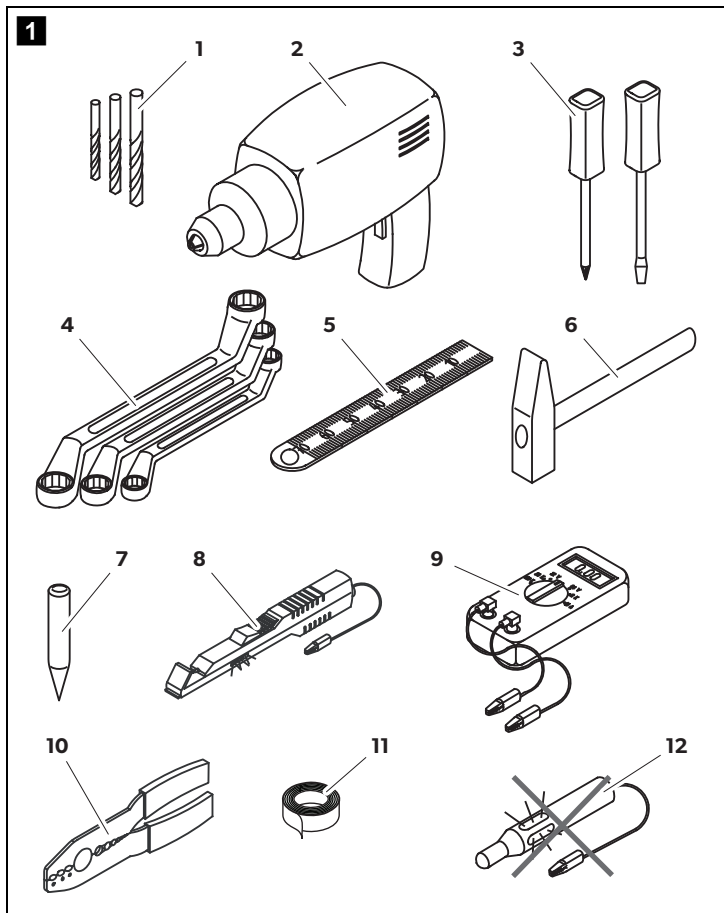
↔ DOMETIC

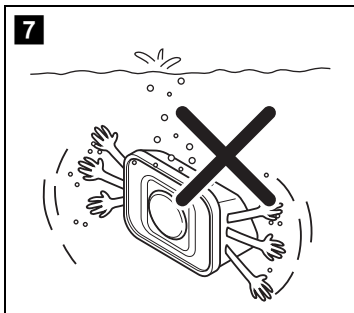
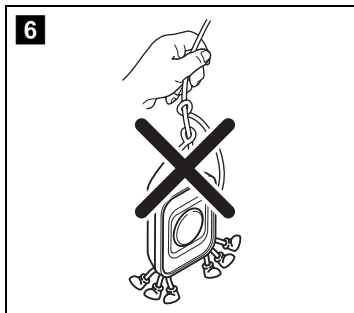
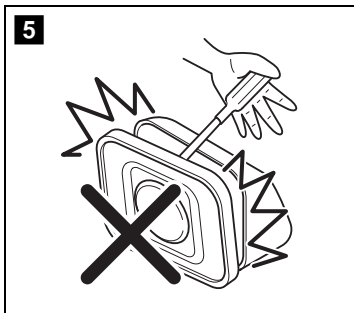
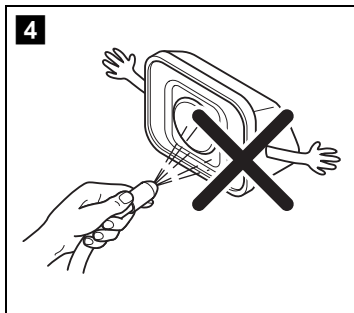
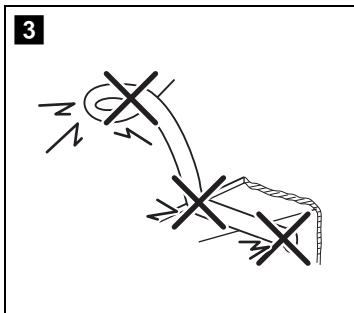
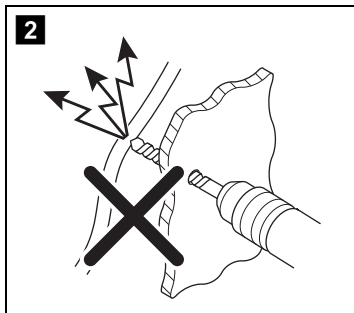
DRIVING SUPPORT PERFECTVIEW

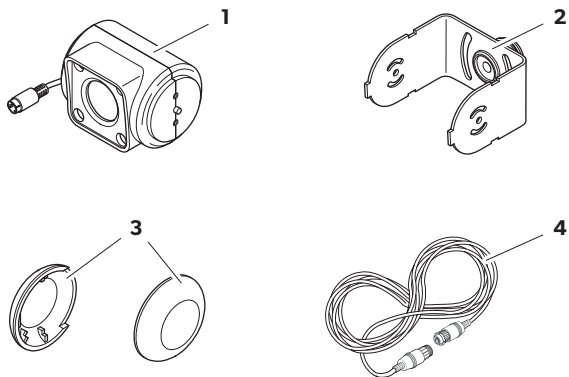
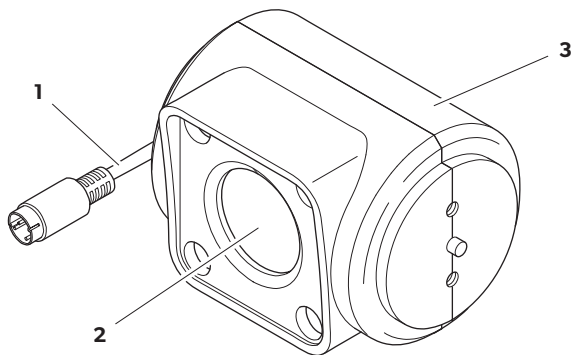


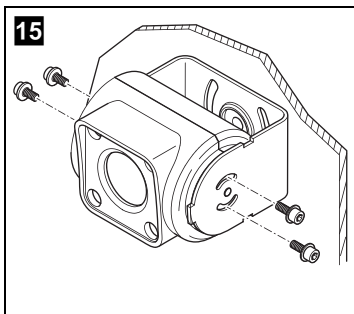
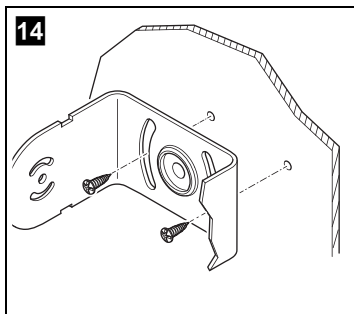
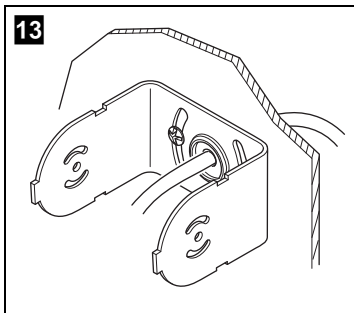
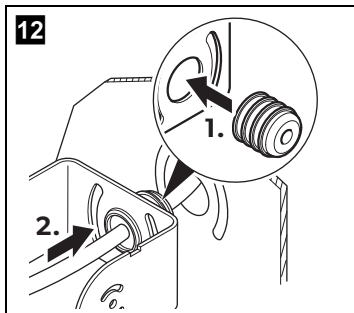
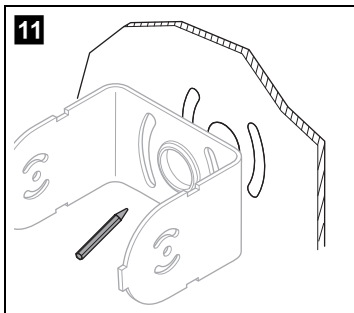
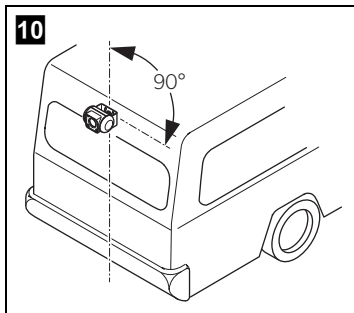
CAM45

EN	Rear View Video Camera Installation and Operating Manual 9	FI	Peruutusvideokamera Asennus- ja käyttöohje 115
DE	Rückfahrvideokamera Montage- und Bedienungsanleitung . . . 20	RU	Видеокамера заднего вида Инструкция по монтажу и эксплуатации 126
FR	Caméra vidéo de recul Instructions de montage et de service . . 31	PL	Kamera cofania Instrukcja montażu i obsługi 137
ES	Cámara de vídeo de marcha atrás Instrucciones de montaje y de uso 42	SK	Cúvacia kamera Návod na montáž a uvedenie do prevádzky 148
PT	Câmara de marcha-atrás Instruções de montagem e manual de instruções 53	CS	Couvací kamera Návod k montáži a obsluze 158
IT	Videocamera per la retromarcia Istruzioni di montaggio e d'uso 63	HU	Tolatókamera Szerelési és használati útmutató 168
NL	Achteruitrijvideocamera Montagehandleiding en gebruiksaanwijzing 74		
DA	Bakvideokamera Monterings- og betjeningsvejledning . . 85		
SV	Backningsvideokamera Monterings- och bruksanvisning 95		
NO	Ryggevideokamera Monterings- og bruksanvisning 105		

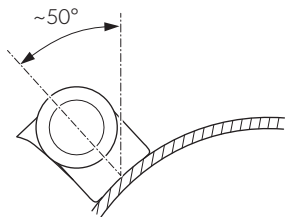




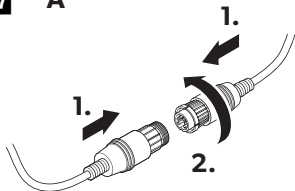
8**9**



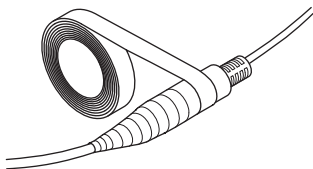
16



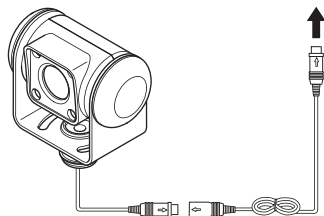
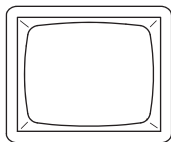
17 A



B

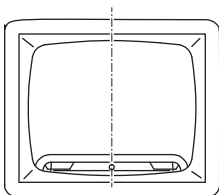


18

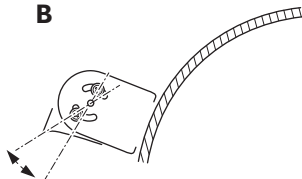


19

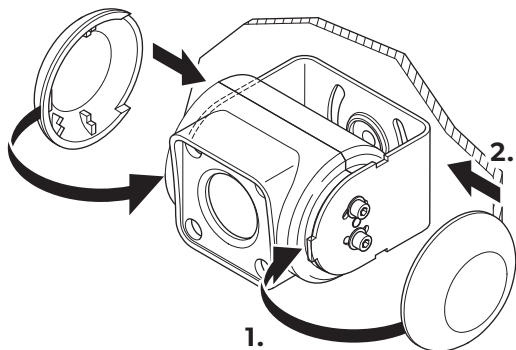
A



B



20



Please read this instruction manual carefully before installation and first use, and store it in a safe place. If you pass on the product to another person, hand over this instruction manual along with it.

Table of contents

1	Explanation of symbols	10
2	Safety and installation instructions	10
3	Scope of delivery	12
4	Intended use	12
5	Technical description	13
6	Information on electrical connection	13
7	Fitting the camera	14
8	Cleaning and caring for the camera	17
9	Warranty	18
10	Disposal	18
11	Technical data	19

1 Explanation of symbols



WARNING!

Safety instruction: Failure to observe this instruction can cause fatal or serious injury.



CAUTION!

Safety instruction: Failure to observe this instruction can lead to injury.



NOTICE!

Failure to observe this instruction can cause material damage and impair the function of the product.



NOTE

Supplementary information for operating the product.

2 Safety and installation instructions

Please observe the prescribed safety instructions and stipulations from the vehicle manufacturer and service workshops.

The manufacturer accepts no liability for damage in the following cases:

- Faulty assembly or connection
- Damage to the product resulting from mechanical influences and excess voltage
- Alterations to the product without express permission from the manufacturer
- Use for purposes other than those described in the operating manual

Please note the following:

- To prevent the risk of short circuits, always disconnect the negative terminal of the vehicle's electrical system before working on it.
If the vehicle has an additional battery, its negative terminal should also be disconnected.
- Inadequate supply cable connections could result in short circuits, causing:
 - Cable fires
 - The airbag being triggered
 - Damage to electronic control equipment
 - Electrical malfunctions (indicators, brake light, horn, ignition, lights)
- When working on the following cables, only use insulated cable terminals, plugs and flat sockets:
 - 30 (direct supply from positive battery terminal)
 - 15 (connected positive terminal, behind the battery)
 - 31 (return cable from the battery, earth)
 - 58 (reversing light)

Do **not** use porcelain wire connectors.

- Use a crimping tool (fig. **1** 10, page 3) to connect the cables.
- Screw the cable when connecting cable 31 (earth).
 - Screw on the cable using a cable terminal and serrated washer to one of the vehicle's earth bolts or
 - screw the cable to the bodywork using a cable terminal and a self-tapping screw.Make sure there is a good earth connection.

If you disconnect the negative terminal of the battery, all data stored in the volatile memories will be lost.

- The following data must be reset, depending on the vehicle equipment options:
 - Radio code
 - Vehicle clock
 - Timer
 - On-board computer
 - Seat position

You can find instructions for making these settings in the operating manual.

Observe the following installation instructions:

- Secure the parts of the camera which are installed in the vehicle in such a way that they cannot become loose under any circumstances (sudden braking, accidents) and cause **injuries to the occupants of the vehicle**.
- Secure any parts of the system concealed by the bodywork in such a manner that they cannot become loose or damage other parts or cables, or impair vehicle functions (steering, pedals, etc.).
- To prevent damage when drilling, make sure there is sufficient space on the other side for the drill head to come out (fig. **2**, page 4).
- Deburr all drill holes and treat them with a rust-protection agent.
- Always follow the safety instructions of the vehicle manufacturer.
Some work (e.g. on retention systems such as the AIRBAG etc.) may only be performed by qualified specialists.

Observe the following instructions when working with electrical parts:

- When testing the voltage in electrical cables, only use a diode test lamp (fig. **1** 8, page 3) or a voltmeter (fig. **1** 9, page 3).
Test lamps with a bulb (fig. **1** 12, page 3) consume voltages which are too high and can damage the vehicle's electronic system.
- When making electrical connections, (fig. **3**, page 4), ensure that:
 - they are not kinked or twisted
 - they do not rub on edges
 - they are not laid in sharp-edged ducts without protection.
- Insulate all connections.

- Secure the cables against mechanical wear by using cable binders or insulating tape, for example on existing cables.

The camera is watertight. However, the seals on the camera cannot withstand a high-pressure cleaner (fig. 4, page 4). Therefore, you should observe the following instructions when handling the camera:

- People (including children) whose physical, sensory or mental capacities or whose lack of experience or knowledge prevent them from using this product safely should not use it without the supervision or instruction of a responsible person.
- Do not open the camera, as this impairs the leak tightness and the function of the camera (fig. 5, page 4).
- Do not pull at the cables, as this impairs the tightness and the function of the camera (fig. 6, page 4).
- The camera is not suitable for use under water (fig. 7, page 4)!

3 Scope of delivery

No. in fig. 8, page 5	Quantity	Description	Ref. no.
1	1	Camera	9600000523
2	1	Camera bracket with bushing sleeve	9600000571
3	2	Side cover	–
4	1	System cable	9102200141
–	1	Fastening material	–
–	1	Installation and operating manual	–

4 Intended use

The CAM45 camera (ref. no. 9600000523) is designed primarily for use in vehicles. It can be used in video systems to observe the space around the vehicle from the driver's seat when, for example manoeuvring or parking.



WARNING!

Danger of personal injury by vehicle.

Reversing video systems are designed merely as an additional aid for reversing, however this does **not** relieve you of the **duty to take proper care when reversing**.

5 Technical description

The camera with integrated microphone, which is encased in an aluminium housing, transmits image and sound to a monitor via a cable. The infrared LEDs improve night vision.

The camera transmits the image as if you were looking in the rear-view mirror.

The camera consists of the following elements:

No. in fig. 9, page 5	Description
1	6-pin connection cable
2	Infrared LEDs
3	Microphone (rear side)

6 Information on electrical connection

6.1 Laying cables



NOTICE! Beware of damage

- When drilling holes, check beforehand that there is sufficient space on the other side for the drill head to come out.
- Cables and connections that are not properly installed will cause malfunctions or damage to components. Correct installation of cables and connections ensures lasting and trouble-free operation of the retrofitted components.
- The cables may not be exposed for long periods to solvents such as benzene, since solvents can damage the cable.

Therefore, please observe the following instructions:

- As far as possible, use original ducts for laying the cables, or other suitable options such as panelling edges, ventilation grilles or dummy plugs. If no openings are available, you must drill holes for the cables. Check beforehand that there is sufficient space on the other side for the drill head to emerge.
- Wherever possible, lay cables inside the vehicle, as they are better protected there than outside.
If you do need to lay a cable outside the vehicle, ensure that it is well fastened (use additional cable ties, insulating tape etc.).
- To prevent damage to the cables when laying them, ensure that they are far enough away from hot or moving vehicle components (exhaust pipes, drive shafts, light systems, fans, heaters, etc.). Use corrugated piping or other protective materials to protect against mechanical wear.
- Screw on the plug connections for the connecting cables to protect them against water penetration (fig. 17, page 7).

- When laying the cables (fig. **3**, page 4), make sure:
 - they are not kinked or twisted
 - they do not rub on edges
 - they are not routed in sharp-edged ducts without protection.
- Attach the cables securely in the vehicles to prevent tripping hazards. This can be performed by using cable binders, insulating tape or gluing in place with adhesives.
- Protect every through-hole made in the bodywork against water penetration, e.g. by using a cable with a sealant and by spraying the cable and the cable sleeve with sealant.

**NOTE**

Only start sealing through-holes when you have completed all installation work on the camera and have laid the required cable lengths.

7 Fitting the camera

7.1 Tools required

For **installation and assembly**, you will need the following tools:

- Drill bit set (fig. **1** 1, page 3)
- Electric drill (fig. **1** 2, page 3)
- Screwdriver (fig. **1** 3, page 3)
- Set of ring or open-ended spanners (fig. **1** 4, page 3)
- Measuring ruler (fig. **1** 5, page 3)
- Hammer (fig. **1** 6, page 3)
- Centre punch (fig. **1** 7, page 3)

To establish and test the **electrical connection**, the following tools are required:

- Diode test lamp (fig. **1** 8, page 3) or voltmeter (fig. **1** 9, page 3)
- Insulating tape (fig. **1** 11, page 3)
- Cable bushing sleeves (optional)

To **fasten the cables** you may require additional cable binders.

7.2 Fitting the camera



CAUTION!

Select a location for the camera and attach it firmly enough so that it cannot under any circumstances fall off and injure bystanders (e.g. by being knocked off by branches brushing over the roof of the vehicle).



NOTE

If installing the camera alters the vehicle height or the length specified in the vehicle documents, your vehicle must be inspected by the appropriate authorities. This authority must note any such changes your vehicle documents.

Observe the following installation instructions:

- To provide a suitable viewing angle, the camera must be attached at a height of at least 2 m. Ensure that you have a firm place from which to work when mounting the camera.
- Make sure that the installation location of the camera is sufficiently firm (e.g. to prevent the camera from being knocked down by branches that may brush the roof of the vehicle).
- Mount the camera bracket horizontally and in the middle of the rear of the vehicle (fig. **10**, page 6).
- The most secure type of attachment is with screws fitted through the body (not included in scope of delivery). Please observe the following instructions:
 - There must be sufficient space behind the chosen installation location to be able to carry out the mounting procedure.
 - Suitable measures must be taken to prevent water penetrating through any holes made (e.g. by using screws and sealant and/or spraying the outer attachment parts with sealant).
 - The location on the body where you wish to attach the camera must be rigid enough to allow the camera to be tightly fastened.
- Check beforehand that there is sufficient space on the other side for the drill head to come out (fig. **2**, page 4).
- If you are not sure about the location you have chosen, ask your vehicle manufacturer or dealer.



NOTE

We recommend greasing the threads of the bolts to prevent corrosion.

To perform the installation, proceed as follows:

- Hold the camera at the chosen location and mark at least two different points for the drill holes and the duct for the connection cable (fig. **11**, page 6).
- Using a hammer and centre punch, gently pre-punch the previously marked points to prevent the drill head from slipping off.

Creating a through-hole for the camera connection cable (fig. 12, page 6)**NOTE**

If possible, use available openings, such as ventilation grilles, to feed the connection cables through. If there are no existing ducts, you must drill a hole of \varnothing 16 mm.

**NOTICE! Beware of damage**

Check beforehand that there is sufficient space on the other side for the drill head to come out.

- ▶ Drill a hole with a \varnothing 16 mm at the previously marked duct.
- ▶ Deburr all drill holes that have been made in the sheet metal and apply rust-protection.

Screw on camera using self-tapping screws (fig. 13, page 6)**NOTICE! Beware of damage**

Self-tapping screws may only be fastened to steel metal with a minimum thickness of 1.5 mm.

- ▶ Drill the holes, with a \varnothing of 4 mm, at each of the markings.
- ▶ Deburr all drill holes and apply rust-protection.
- ▶ Screw on the camera bracket using 5 x 20 mm self-tapping screws.

Fitting the camera**NOTICE! Beware of damage**

Only use the screws supplied to mount the camera. Longer screws will damage the camera.

- ▶ Guide the camera cable into the vehicle interior.
- ▶ Slide the camera into the camera bracket.
- ▶ Fasten the camera **loosely** using the two screws M3 x 6 mm in the slots (fig. 15, page 6).
- ▶ Provisionally align the camera, so that the lens is at an angle of approx. 50° to the vertical axis of the vehicle (fig. 16, page 7).

Establishing the electrical connection for the camera



NOTE

- Lay the camera cable so that, should you need to remove the camera, you can access the plug connection between the camera and the extension cable easily. This greatly facilitates the disassembly.
- To minimise corrosion in the plug, apply a small amount of grease, such as pin grease, in one of the plugs.

- Insert the camera cable plug into the socket for the extension cable.
- Screw on the plug connection of the connecting cables to protect against water penetration (fig. 17, page 7).

Aligning the camera



NOTE

To do this you must first install and electrically connect a monitor (see schematic connection diagram fig. 18, page 7).

- Align the camera using the image on the monitor to help you:
The monitor image should show the rear or the bumper of the vehicle at the bottom edge of the screen. The middle of the bumper should be in the middle of the screen (fig. 19, page 7).
- Check the function of the camera after you have connected it to a monitor.

Fastening the camera

- Tighten the two fastening screws in the slots on the monitor bracket.
- Fit side covers into place (fig. 20, page 8).

8 Cleaning and caring for the camera



NOTICE! Beware of damage

Do not use any sharp or hard objects for cleaning since they may damage the device.

- Clean the camera with a soft, damp cloth from time to time.

9 Warranty

The statutory warranty period applies. If the product is defective, please contact the manufacturer's branch in your country (see the back of the instruction manual for the addresses) or your retailer.

For repair and guarantee processing, please send the following items:

- Defect components
- A copy of the receipt with purchasing date
- A reason for the claim or description of the fault


10 Disposal

- Place the packaging material in the appropriate recycling waste bins wherever possible.



If you wish to finally dispose of the product, ask your local recycling centre or specialist dealer for details about how to do this in accordance with the applicable disposal regulations.

11 Technical data

	PerfectView CAM45
Ref. no.:	9600000523
Image sensor:	1/4" CCD
Pixels:	Approx. 250000 pixels
Video standard:	PAL, 1 Vpp
Sensitivity:	< 1 Lux / 0 Lux with infrared LEDs
Viewing angle:	Approx. 120° diagonal Approx. 80° horizontal Approx. 65° vertical
Operating voltage:	11 to 16 V==
Consumption:	1.2 W
Operating temperature:	-20 °C to +70 °C
Protection class:	IP69k
Vibration resistance:	6g
Dimensions W x H x D (with bracket):	78 x 60 x 50 mm
Weight:	Approx. 0.18 kg
Certification:	

Bitte lesen Sie diese Anleitung vor Einbau und Inbetriebnahme sorgfältig durch und bewahren Sie sie auf. Geben Sie sie im Falle einer Weitergabe des Produktes an den Nutzer weiter.

Inhaltsverzeichnis

1	Erklärung der Symbole	21
2	Sicherheits- und Einbauhinweise	21
3	Lieferumfang	23
4	Bestimmungsgemäßer Gebrauch	23
5	Technische Beschreibung	24
6	Hinweise zum elektrischen Anschluss	24
7	Kamera montieren	25
8	Kamera pflegen und reinigen	28
9	Gewährleistung	29
10	Entsorgung	29
11	Technische Daten	30

1 Erklärung der Symbole



WARNUNG!

Sicherheitshinweis: Nichtbeachtung kann zu Tod oder schwerer Verletzung führen.



VORSICHT!

Sicherheitshinweis: Nichtbeachtung kann zu Verletzungen führen.



ACHTUNG!

Nichtbeachtung kann zu Materialschäden führen und die Funktion des Produktes beeinträchtigen.



HINWEIS

Ergänzende Informationen zur Bedienung des Produktes.

2 Sicherheits- und Einbauhinweise

Beachten Sie die vom Fahrzeughersteller und vom Kfz-Handwerk vorgeschriebenen Sicherheitshinweise und Auflagen!

Der Hersteller übernimmt in folgenden Fällen keine Haftung für Schäden:

- Montage- oder Anschlussfehler
- Beschädigungen am Produkt durch mechanische Einflüsse und Überspannungen
- Veränderungen am Produkt ohne ausdrückliche Genehmigung vom Hersteller
- Verwendung für andere als die in der Anleitung beschriebenen Zwecke

Beachten Sie folgende Hinweise:

- Klemmen Sie wegen der Kurzschlussgefahr vor Arbeiten an der Fahrzeugelektrik immer den Minuspol ab.
Bei Fahrzeugen mit Zusatzbatterie müssen Sie an dieser ebenfalls den Minuspol abklemmen.
- Unzureichende Leitungsverbindungen können zur Folge haben, dass durch Kurzschluss
 - Kabelbrände entstehen,
 - der Airbag ausgelöst wird,
 - elektronische Steuerungseinrichtungen beschädigt werden,
 - elektrische Funktionen ausfallen (Blinker, Bremslicht, Hupe, Zündung, Licht).
- Verwenden Sie bei Arbeiten an den folgenden Leitungen nur isolierte Kabelschuhe, Stecker und Flachsteckhülsen:
 - 30 (Eingang von Batterie Plus direkt),
 - 15 (Geschaltetes Plus, hinter Batterie),
 - 31 (Rückleitung ab Batterie, Masse),
 - 58 (Rückfahrcheinwerfer).

Verwenden Sie **keine** Lüsterklemmen.

- Verwenden Sie eine Krimpzange (Abb. **1** 10, Seite 3) zum Verbinden der Kabel.
- Schrauben Sie das Kabel bei Anschlüssen an Leitung 31 (Masse)
 - mit Kabelschuh und Zahnscheibe an eine fahrzeugeigene Masseschraube oder
 - mit Kabelschuh und Blechschraube an das Karosserieblech.

Achten Sie auf eine gute Masseübertragung!

Beim Abklemmen des Minuspols der Batterie verlieren alle flüchtigen Speicher der Komfortelektronik ihre gespeicherten Daten.

- Folgende Daten müssen Sie je nach Fahrzeugausstattung neu einstellen:
 - Radiocode
 - Fahrzeuguhr
 - Zeitschaltuhr
 - Bordcomputer
 - Sitzposition

Hinweise zur Einstellung finden Sie in der jeweiligen Bedienungsanleitung.

Beachten Sie folgende Hinweise bei der Montage:

- Befestigen Sie die im Fahrzeug montierten Teile der Kamera so, dass sie sich unter keinen Umständen (scharfes Abbremsen, Verkehrsunfall) lösen und zu **Verletzungen der Fahrzeuginsassen** führen können.
- Befestigen Sie verdeckt unter Verkleidungen anzubringende Teile des Systems so, dass sie sich nicht lösen oder andere Teile und Leitungen beschädigen und keine Fahrzeugfunktionen (Lenkung, Pedale usw.) beeinträchtigen können.
- Achten Sie beim Bohren auf ausreichenden Freiraum für den Bohreraustritt, um Schäden zu vermeiden (Abb. **2**, Seite 4).
- Entgraten Sie jede Bohrung und behandeln Sie diese mit Rostschutzmittel.
- Beachten Sie immer die Sicherheitshinweise des Fahrzeugherstellers. Einige Arbeiten (z. B. an Rückhaltesystemen wie AIRBAG usw.) dürfen nur von geschultem Fachpersonal durchgeführt werden.

Beachten Sie folgende Hinweise bei der Arbeit an elektrischen Teilen:

- Benutzen Sie zum Prüfen der Spannung in elektrischen Leitungen nur eine Diodenprüflampe (Abb. **1** 8, Seite 3) oder ein Voltmeter (Abb. **1** 9, Seite 3). Prüflampen mit einem Leuchtkörper (Abb. **1** 12, Seite 3) nehmen zu hohe Ströme auf, wodurch die Fahrzeugelektronik beschädigt werden kann.
- Beachten Sie beim Verlegen der elektrischen Anschlüsse (Abb. **3**, Seite 4), dass diese
 - nicht geknickt oder verdreht werden,
 - nicht an Kanten scheuern,
 - nicht ohne Schutz durch scharfkantige Durchführungen verlegt werden.
- Isolieren Sie alle Verbindungen und Anschlüsse.
- Sichern Sie die Kabel gegen mechanische Beanspruchung durch Kabelbinder oder Isolierband, z. B. an vorhandenen Leitungen.

Die Kamera ist wasserdicht. Die Dichtungen der Kamera halten aber nicht einem Hochdruckreiniger stand (Abb. **4**, Seite 4). Beachten Sie deshalb folgende Hinweise zum Umgang mit der Kamera:

- Personen (einschließlich Kinder), die aufgrund ihrer physischen, sensorischen oder geistigen Fähigkeiten oder ihrer Unerfahrenheit oder Unkenntnis nicht in der Lage sind, das Produkt sicher zu benutzen, sollten dieses Produkt nicht ohne Aufsicht oder Anweisung durch eine verantwortliche Person nutzen.
- Öffnen Sie die Kamera nicht, da dieses ihre Dichtigkeit und die Funktionsfähigkeit beeinträchtigt (Abb. **5**, Seite 4).
- Ziehen Sie nicht an den Kabeln, da dieses die Dichtigkeit und die Funktionsfähigkeit der Kamera beeinträchtigt (Abb. **6**, Seite 4).
- Die Kamera ist nicht für den Betrieb unter Wasser geeignet (Abb. **7**, Seite 4).

3 Lieferumfang

Abb.	Nr. in 8 , Seite 5	Menge	Bezeichnung	Artikel-Nr.
	1	1	Kamera	9600000523
	2	1	Kamerahalter mit Kabeldurchführungstülle	9600000571
	3	2	Seitenabdeckung	–
	4	1	Systemkabel	9102200141
	–	1	Befestigungsmaterial	–
	–	1	Montage- und Bedienungsanleitung	–

4 Bestimmungsgemäßer Gebrauch

Die Kamera CAM45 (Art.-Nr. 9600000523) ist vorrangig für den Einsatz in Fahrzeugen gedacht. Sie ist einsetzbar in Videosystemen, die zur Beobachtung des Bereiches um das Fahrzeug vom Fahrersitz aus dienen, z. B. beim Rangieren oder Einparken.



WARNUNG!

Gefahr von Personenschäden durch das Fahrzeug.
Rückfahrvideosysteme stellen eine Unterstützung beim Rückwärtsfahren dar, sie entbinden Sie jedoch **nicht** von **der besonderen Vorsichtspflicht beim Rückwärtsfahren**.

5 Technische Beschreibung

Die Kamera mit integriertem Mikrofon ist in einem Aluminiumgehäuse untergebracht und überträgt Bild und Ton über ein Kabel zu einem Monitor. Durch die Infrarot-LEDs wird die Nachtsicht verbessert.

Die Kamera übermittelt das Bild, als ob Sie in den Rückspiegel blicken.

Die Kamera besteht aus u. a. folgenden Elementen:

Nr. in Abb. 9 , Seite 5	Bezeichnung
1	6-poliges Anschlusskabel
2	Infrarot-LEDs
3	Mikrofon (Rückseite)

6 Hinweise zum elektrischen Anschluss

6.1 Kabel verlegen



ACHTUNG! Beschädigungsgefahr!

- Wenn Sie Löcher bohren, prüfen Sie vorher, ob ausreichender Freiraum für den Bohreraustritt vorhanden ist.
- Nicht fachgerechte Kabelverlegungen und Kabelverbindungen führen immer wieder zu Fehlfunktionen oder Beschädigungen von Bauteilen. Eine korrekte Kabelverlegung bzw. Kabelverbindung ist die Grundvoraussetzung für eine dauerhafte und fehlerfreie Funktion der nachgerüsteten Komponenten.
- Die Kabel dürfen nicht über längere Zeit mit Lösungsmitteln wie z. B. Benzin in Berührung kommen, da Lösungsmittel die Kabel beschädigen würden.

Beachten Sie deshalb folgende Hinweise:

- Verwenden Sie für die Durchführung der Anschlusskabel nach Möglichkeit Originaldurchführungen oder andere Durchführungsmöglichkeiten, z. B. Verkleidungskanten, Lüftungsgitter oder Blindschalter. Wenn keine Durchführungen vorhanden sind, müssen Sie für die jeweiligen Kabel entsprechende Löcher bohren. Schauen Sie vorher nach, ob ausreichender Freiraum für den Bohreraustritt vorhanden ist.
- Verlegen Sie die Kabel nach Möglichkeit immer im Fahrzeuginneren, denn dort sind sie besser geschützt als außen am Fahrzeug.
Wenn Sie die Kabel trotzdem außerhalb des Fahrzeuges verlegen, achten Sie auf eine sichere Befestigung (durch zusätzliche Kabelbinder, Isolierband usw.).
- Um Beschädigungen am Kabel zu vermeiden, halten Sie beim Verlegen der Kabel immer ausreichend Abstand zu heißen und sich bewegenden Fahrzeugteilen (Auspuffrohre, Antriebswellen, Lichtmaschine, Lüfter, Heizung usw.). Verwenden Sie zum mechanischen Schutz Wellrohr oder ähnliche Schutzmaterialien.

- Verschrauben Sie die Steckverbindungen der Verbindungskabel zum Schutz gegen das Eindringen von Wasser (Abb. **17**, Seite 7).
- Beachten Sie beim Verlegen der Kabel (Abb. **3**, Seite 4), dass diese
 - nicht stark geknickt oder verdreht werden,
 - nicht an Kanten scheuern,
 - nicht ohne Schutz durch scharfkantige Durchführungen verlegt werden.
- Befestigen Sie die Kabel sicher im Fahrzeug, um ein Verfangen (Sturzgefahr) zu vermeiden. Dieses kann erfolgen durch den Einsatz von Kabelbindern, Isolierband oder durch Ankleben mit Klebstoff.
- Schützen Sie jeden Durchbruch an der Außenhaut durch geeignete Maßnahmen gegen Wassereintrich, z. B. durch Einsetzen des Kabels mit Dichtungsmasse und durch Abspritzen des Kabels und der Durchführungstülle mit Dichtungsmasse.



HINWEIS

Beginnen Sie mit dem Abdichten der Durchbrüche erst, nachdem alle Einstellarbeiten an der Kamera abgeschlossen sind und die benötigten Längen der Anschlusskabel festliegen.

7 Kamera montieren

7.1 Benötigtes Werkzeug

Für **Einbau und Montage** benötigen Sie folgende Werkzeuge:

- Satz Bohrer (Abb. **1** 1, Seite 3)
- Bohrmaschine (Abb. **1** 2, Seite 3)
- Schraubendreher (Abb. **1** 3, Seite 3)
- Satz Ring- oder Maulschlüssel (Abb. **1** 4, Seite 3)
- Maßstab (Abb. **1** 5, Seite 3)
- Hammer (Abb. **1** 6, Seite 3)
- Körner (Abb. **1** 7, Seite 3)

Für den **elektrischen Anschluss** und seine Überprüfung benötigen Sie folgende Hilfsmittel:

- Diodenprüflampe (Abb. **1** 8, Seite 3) oder Voltmeter (Abb. **1** 9, Seite 3)
- Isolierband (Abb. **1** 11, Seite 3)
- Ggf. Kabeldurchführungstüllen

Zur **Befestigung der Kabel** benötigen Sie ggf. noch weitere Kabelbinder.

7.2 Kamera montieren



VORSICHT!

Wählen Sie den Platz der Kamera so und befestigen Sie diese so sicher, dass unter keinen Umständen in der Nähe stehende Personen verletzt werden können, z. B. weil über das Fahrzeugdach streifende Äste die Kamera abreißen.



HINWEIS

Wenn durch den Anbau der Kamera die in den Fahrzeugpapieren eingetragene Fahrzeughöhe oder Fahrzeuglänge verändert wird, muss eine neue Abnahme durch die zuständigen Stellen (TÜV, DEKRA usw.) erfolgen.

Lassen Sie die neue Abnahme durch Ihr zuständiges Straßenverkehrsamt in die Fahrzeugpapiere eintragen.

Beachten Sie folgende Hinweise bei der Montage:

- Bringen Sie die Kamera für einen vernünftigen Blickwinkel in mindestens zwei Metern Höhe an. Achten Sie bei der Montage auf einen ausreichend standfesten Arbeitsplatz.
- Achten Sie darauf, dass der Montageort der Kamera ausreichende Festigkeit bietet (z. B. können sich über das Fahrzeugdach streifende Äste in der Kamera verfangen).
- Montieren Sie den Kamerahalter waagrecht und mittig am Heck des Fahrzeuges (Abb. **10**, Seite 6).
- Die sicherste Art der Befestigung sind Schrauben, die durch den Aufbau gehen (nicht im Lieferumfang enthalten). Beachten Sie dabei folgende Hinweise:
 - Hinter der gewählten Montageposition muss ausreichend Freiraum für die Montage vorhanden sein.
 - Jeder Durchbruch muss durch geeignete Maßnahmen gegen Wassereintrich geschützt werden (z. B. durch Einsetzen der Schrauben mit Dichtungsmasse und/oder Abspritzen der äußeren Befestigungsteile mit Dichtungsmasse).
 - Der Aufbau an der Befestigungsstelle muss genügend Festigkeit bieten, damit sich der Kamerahalter genügend fest anziehen lässt.
- Kontrollieren Sie vorher, ob ausreichender Freiraum für den Bohreraustritt vorhanden ist (Abb. **2**, Seite 4).
- Wenn Sie sich nicht sicher über den von Ihnen gewählten Montageort sind, erkundigen Sie sich beim Aufbauhersteller oder dessen Vertretung.



HINWEIS

Um die Korrosion der Schrauben zu minimieren, fetten Sie die Gewinde ein.

Gehen Sie bei der Montage wie folgt vor:

- Halten Sie den Kamerahalter an den gewählten Montageort und markieren Sie jeweils mindestens zwei verschiedene Bohrpunkte und den Durchbruch für das Anschlusskabel (Abb. **11**, Seite 6).

- Können Sie an den zuvor angezeichneten Punkten mit Hammer und Körner vor, um ein Verlaufen des Bohrers zu verhindern.

Durchbruch für das Anschlusskabel der Kamera anfertigen (Abb. 12, Seite 6)



HINWEIS

Verwenden Sie für die Durchführung der Anschlusskabel nach Möglichkeit vorhandene Durchführungsmöglichkeiten, z. B. Lüftungsgitter. Wenn keine Durchführungen vorhanden sind, müssen Sie ein Loch von \varnothing 16 mm bohren.



ACHTUNG! Beschädigungsgefahr!

Kontrollieren Sie vorher, ob ausreichender Freiraum für den Bohreraustritt vorhanden ist.

- Bohren Sie an der zuvor angezeichneten Durchführung ein Loch von \varnothing 16 mm.
- Entgraten Sie alle Bohrlöcher, die im Blech gefertigt sind, und versehen Sie sie mit Rostschutz.

Kamera mit Blechschrauben anschrauben (Abb. 13, Seite 6)



ACHTUNG! Beschädigungsgefahr!

Die Befestigung mit Blechschrauben darf nur in Stahlblechen mit einer Mindestdicke von 1,5 mm erfolgen.

- Bohren Sie an den zuvor angezeichneten Punkten jeweils ein Loch von \varnothing 4 mm.
- Entgraten Sie alle Bohrlöcher und versehen Sie sie mit Rostschutz.
- Schrauben Sie den Kamerahalter mit den Blechschrauben 5 x 20 mm an.

Kamera montieren



ACHTUNG! Beschädigungsgefahr!

Verwenden Sie zur Montage der Kamera nur die mitgelieferten Schrauben. Längere Schrauben beschädigen die Kamera.

- Führen Sie das Kamerakabel ins Fahrzeuginnere.
- Schieben Sie die Kamera in den Kamerahalter ein.
- Befestigen Sie die Kamera **lose** mit den zwei Schrauben M3 x 6 mm in den Langlöchern (Abb. 15, Seite 6).
- Richten Sie die Kamera provisorisch so aus, dass das Objektiv einen Winkel von ca. 50° zur senkrechten Achse des Fahrzeugs bildet (Abb. 16, Seite 7).

Kamera elektrisch anschließen



HINWEIS

- Verlegen Sie das Kamerakabel so, dass Sie bei einem eventuell notwendigen Ausbau der Kamera leicht an die Steckerverbindung zwischen Kamera und Verlängerungskabel kommen. Die Demontage wird dadurch erheblich vereinfacht.
- Um Korrosion im Stecker zu minimieren, geben Sie etwas Fett, z. B. Polfett, in einen der Stecker.

- Stecken Sie den Stecker des Kamerakabels in die Buchse des Verlängerungskabels.
- Verschrauben Sie die Steckerverbindung zum Schutz gegen das Eindringen von Wasser (Abb. **17**, Seite 7).

Kamera ausrichten



HINWEIS

Zum Ausrichten der Kamera müssen Sie ggf. erst noch einen Monitor montieren und elektrisch anschließen (siehe Prinzip-Anschlussplan Abb. **18**, Seite 7).

- Richten Sie die Kamera anhand des Monitorbildes aus:
Das Monitorbild sollte am unteren Bildrand das Heck bzw. die Stoßstange Ihres Fahrzeuges zeigen. Die Mitte der Stoßstange sollte auch in der Mitte des Monitorbildes sein (Abb. **19**, Seite 7).
- Prüfen Sie die Funktion der Kamera, nachdem Sie sie an einen Monitor angeschlossen haben.

Kamera befestigen

- Ziehen Sie die beiden Befestigungsschrauben in den Langlöchern des Monitorhalters fest.
- Stecken Sie die Seitenabdeckungen auf (Abb. **20**, Seite 8).

8 Kamera pflegen und reinigen



ACHTUNG! Beschädigungsgefahr!

Keine scharfen oder harten Mittel zur Reinigung verwenden, da dies zu einer Beschädigung des Geräts führen kann.

- Reinigen Sie die Kamera gelegentlich mit einem weichen, feuchten Tuch.

9 Gewährleistung

Es gilt die gesetzliche Gewährleistungsfrist. Sollte das Produkt defekt sein, wenden Sie sich bitte an die Niederlassung des Herstellers in Ihrem Land (Adressen siehe Rückseite der Anleitung) oder an Ihren Fachhändler.

Zur Reparatur- bzw. Gewährleistungsbearbeitung müssen Sie Folgendes einschicken:

- defekte Komponenten,
- eine Kopie der Rechnung mit Kaufdatum,
- einen Reklamationsgrund oder eine Fehlerbeschreibung.


10 Entsorgung

- Geben Sie das Verpackungsmaterial möglichst in den entsprechenden Recycling-Müll.



Wenn Sie das Produkt endgültig außer Betrieb nehmen, informieren Sie sich bitte beim nächsten Recyclingcenter oder bei Ihrem Fachhändler über die zutreffenden Entsorgungsvorschriften.

11 Technische Daten

	PerfectView CAM45
Art.-Nr.:	9600000523
Bildsensor:	1/4" CCD
Bildpunkte:	ca. 250000 Pixel
Videostandard:	PAL, 1 Vpp
Empfindlichkeit:	< 1 Lux / 0 Lux mit Infrarot-LEDs
Blickwinkel:	ca. 120° diagonal ca. 80° horizontal ca. 65° vertikal
Betriebsspannung:	11 bis 16 V $\overline{=}$
Verbrauch:	1,2 W
Betriebstemperatur:	-20 °C bis +70 °C
Schutzklasse:	IP69k
Vibrationsfestigkeit:	6g
Abmessungen B x H x T (mit Halter):	78 x 60 x 50 mm
Gewicht:	ca. 0,18 kg
Zulassung:	

Veillez lire attentivement cette notice avant le montage et la mise en service. Veillez ensuite la conserver. En cas de passer le produit, veuillez le transmettre au nouvel acquéreur.

Sommaire

1	Symboles.....	32
2	Consignes de sécurité et instructions de montage.....	32
3	Contenu de la livraison.....	34
4	Usage conforme.....	35
5	Description technique.....	35
6	Remarques concernant le raccordement électrique.....	36
7	Montage de la caméra.....	37
8	Entretien et nettoyage de la caméra.....	40
9	Garantie.....	40
10	Retraitement.....	40
11	Caractéristiques techniques.....	41

1 Symboles



AVERTISSEMENT !

Consigne de sécurité : le non-respect de ces consignes peut entraîner la mort ou de graves blessures.



ATTENTION !

Consigne de sécurité : le non-respect de ces consignes peut entraîner des blessures.



AVIS !

Le non-respect de ces consignes peut entraîner des dommages matériels et des dysfonctionnements du produit.



REMARQUE

Informations complémentaires sur l'utilisation du produit.

2 Consignes de sécurité et instructions de montage

Respectez les consignes de sécurité et autres prescriptions imposées par le constructeur du véhicule et par les professionnels de l'automobile !

Le fabricant décline toute responsabilité pour des dommages dans les cas suivants :

- des défauts de montage ou de raccordement
- des influences mécaniques et des surtensions ayant endommagé le matériel
- des modifications apportées au produit sans autorisation explicite de la part du fabricant
- une utilisation différente de celle décrite dans la notice

Tenez compte des remarques suivantes :

- Débranchez toujours la borne négative avant de procéder à des travaux sur les éléments électriques du véhicule afin d'éviter tout risque de court-circuit.
Sur les véhicules équipés d'une batterie supplémentaire, vous devez également débrancher le pôle négatif de cette dernière.
- Tout raccordement de câbles inadéquat peut provoquer en raison d'un court-circuit
 - des incendies de câbles,
 - le déclenchement de l'airbag,
 - l'endommagement de dispositifs électroniques de commande,
 - la défaillance de fonctions électriques (clignotants, feux stop, klaxon, système d'allumage, éclairage).

- Pour tous les travaux sur les lignes électriques suivantes, n'utilisez que des cosses de câble, fiches et alvéoles pour contacts plats isolés :
 - 30 (entrée directe du pôle positif de la batterie),
 - 15 (pôle positif commuté, derrière la batterie),
 - 31 (câble de retour à partir de la batterie, masse),
 - 58 (feu de recul).

N'utilisez **pas** de serre-fils.

- Utilisez une pince à sertir (fig. **1** 10, page 3) pour relier les câbles.
- Pour les raccordements au câble 31 (masse), vissez le câble
 - à une vis de masse du véhicule, avec une cosse et une rondelle crantée, ou
 - à la tôle de carrosserie, avec une cosse et une vis à tôle.

Veillez à ce qu'un bon transfert de masse soit assuré !

Lorsque vous débranchez le pôle négatif de la batterie, les mémoires volatiles de l'électronique de confort perdent toutes les données enregistrées.

- Selon l'équipement du véhicule, vous devez régler à nouveau les données suivantes :
 - Code de l'autoradio
 - Pendule du véhicule
 - Minuterie
 - Ordinateur de bord
 - Position des sièges

Les consignes de réglage se trouvent dans le manuel d'utilisation correspondant.

Veillez respecter les consignes suivantes lors du montage :

- Fixez les pièces de la caméra installées dans le véhicule de manière à ce qu'elles ne puissent en aucun cas se desserrer (freinage abrupt, accident) et risquer de causer des **blessures aux occupants du** véhicule.
- Fixez les pièces du système sous l'habillage de telle sorte qu'elles ne puissent pas se détacher, endommager d'autres pièces ou connexions, ni gêner le fonctionnement du véhicule (direction, pédales, etc.).
- Avant de percer des trous, assurez-vous que vous disposez d'un espace suffisant de l'autre côté du trou à percer afin que la mèche n'occasionne aucun dégât (fig. **2**, page 4).
- Ébavurez tous les trous et protégez-les avec un enduit anticorrosif.
- Respectez toujours les consignes de sécurité du fabricant du véhicule. Certains travaux (p. ex. au niveau des systèmes de rétention, AIRBAG, etc.) doivent être effectués uniquement par un personnel spécialisé ayant reçu une formation correspondante.

Veillez respecter les consignes suivantes lors de travaux sur des composants électriques :

- Pour contrôler la tension dans les câbles électriques, utilisez uniquement une lampe-témoin à diodes (fig. **1** 8, page 3) ou un voltmètre (fig. **1** 9, page 3). Les lampes-témoins (fig. **1** 12, page 3) à filament absorbent des courants trop élevés, ce qui peut endommager l'électronique du véhicule.

- Lors de l'agencement des raccords électriques(fig. **3**, page 4), veillez à ce que ceux-ci
 - ne soient ni pliés, ni tordus,
 - ne frottent pas contre des arêtes,
 - ne soient pas placés dans des traversées à arêtes vives sans protection.
- Isolez toutes les connexions et tous les raccords.
- Protégez les câbles contre toute contrainte mécanique en les fixant par exemple aux lignes existantes à l'aide de serre-câbles ou de ruban vinyle.

La caméra est étanche. Les joints de la caméra ne résistent cependant pas à un nettoyeur à haute pression (fig. **4**, page 4). Veillez donc à respecter les consignes suivantes en manipulant la caméra :

- Les personnes (y compris les enfants) qui ne sont pas en mesure d'utiliser l'appareil en toute sécurité – que ce soit en raison de déficiences physiques, sensorielles ou mentales ou bien par manque d'expérience ou de connaissances – ne sont pas autorisées à le faire, sauf si une personne garante de leur sécurité les surveille ou leur fournit des explications sur son utilisation.
- N'ouvrez jamais la caméra afin de ne pas compromettre son étanchéité ni son fonctionnement (fig. **5**, page 4).
- Ne tirez jamais sur les câbles, car ceci nuit à l'étanchéité et au fonctionnement de la caméra (fig. **6**, page 4).
- La caméra n'est pas prévue pour être utilisée dans l'eau (fig. **7**, page 4).

3 Contenu de la livraison

N° dans fig. 8 , page 5	Quantité	Désignation	Référence
1	1	Caméra	9600000523
2	1	Support de caméra avec passe-câbles	9600000571
3	2	Cache latéral	–
4	1	Câble système	9102200141
–	1	Matériel de fixation	–
–	1	Notice de montage et d'utilisation	–

4 Usage conforme

La caméra CAM45 (n° de produit 9600000523) est conçue principalement pour être installée dans des véhicules. Elle peut être utilisée sur les systèmes vidéo qui permettent d'observer, depuis le siège du conducteur, la zone située autour du véhicule, p. ex. pour manœuvrer ou pour se garer.



AVERTISSEMENT !

Risque de dommages corporels causés par le véhicule.

Les systèmes vidéo de recul vous apportent une aide supplémentaire en marche arrière, mais ces appareils **ne** vous dégagent **pas du devoir de prudence qui vous incombe lorsque vous conduisez en marche arrière.**

5 Description technique

La caméra à micro incorporé est logée dans un boîtier en aluminium et transmet image et son à l'écran grâce à un câble. Les LED à infrarouges améliorent la vision de nuit.

La caméra transmet une image semblable à celle que vous voyez dans un rétroviseur.

La caméra se compose entre autres des éléments suivants :

N° dans fig. 9, page 5	Désignation
1	Câble de raccordement à 6 pôles
2	LED infrarouge
3	Microphone (à l'arrière)

6 Remarques concernant le raccordement électrique

6.1 Pose des câbles



AVIS ! Risque d'endommagement !

- Avant de percer des trous, vérifiez qu'il y a un espace suffisant de l'autre côté du trou pour le passage de la mèche.
- Toute erreur de pose ou de branchement des câbles entraîne presque toujours des dysfonctionnements ou des détériorations des composants. Une pose et un branchement corrects des câbles sont indispensables au fonctionnement durable et fiable des composants que vous installez.
- Veillez à ce que les câbles ne soient pas en contact avec des solvants tels que l'essence pendant une durée prolongée. Ces solvants endommageraient les câbles.

Veillez respecter les consignes suivantes :

- Pour la pose des câbles de raccordement, utilisez si possible des passages existants ou d'autres possibilités de passage telles que les arêtes de garnitures, grilles d'aération ou interrupteurs intégrés. Si aucun passage n'est disponible, vous devrez percer des trous pour y faire passer les câbles. Vérifiez avant le perçage qu'il y a un espace suffisant pour la sortie de la mèche de l'autre côté du trou.
- Dans la mesure du possible, ne posez les câbles qu'à l'intérieur du véhicule. Ils y seront mieux protégés qu'à l'extérieur.
Si vous devez malgré tout faire passer les câbles à l'extérieur du véhicule, veillez à ce qu'ils soient solidement fixés (en utilisant des serre-fils supplémentaires, du ruban vinyle, etc.).
- Installez les câbles à une distance suffisante des éléments chauds et/ou mobiles du véhicule (tuyaux d'échappement, arbres de transmission, dynamo, ventilateurs, chauffage, etc.) qui pourraient les endommager. Pour assurer la protection mécanique des câbles, veuillez utiliser des tubes ondulés ou autres matériaux de protection.
- Vissez les raccords enfichables des câbles de raccordement afin de les protéger contre les infiltrations d'eau (fig. 17, page 7).
- Lors de la pose des câbles (fig. 3, page 4), veillez à ce que ceux-ci
 - ne soient ni fortement pliés, ni tordus,
 - ne frottent pas contre des arêtes,
 - ne soient pas placés dans des traversées à arêtes vives sans protection.
- Fixez soigneusement les câbles à l'intérieur du véhicule pour éviter que quelqu'un puisse trébucher dessus (risque de chute). Pour cela, utilisez des serre-câbles, du ruban isolant ou fixez les câbles avec de la colle.
- Veillez à protéger chaque trou percé dans la carrosserie en prenant des mesures appropriées contre toute infiltration d'eau, par exemple en appliquant du mastic sur le câble et sur le passe-câble.

**REMARQUE**

Les opérations d'étanchéification des ouvertures ne doivent être entreprises que lorsque tous les réglages de position de la caméra ont été effectués et que les longueurs de câbles de raccordement nécessaires sont définies.

7 Montage de la caméra

7.1 Outils nécessaires

Pour la **mise en place et le montage**, vous devez disposer des outils suivants :

- Jeu de mèches (fig. **1** 1, page 3)
- Perceuse (fig. **1** 2, page 3)
- Tournevis (fig. **1** 3, page 3)
- Jeu de clés à œil ou de clés plates (fig. **1** 4, page 3)
- Règle graduée (fig. **1** 5, page 3)
- Marteau (fig. **1** 6, page 3)
- Pointeau (fig. **1** 7, page 3)

Pour le **raccordement électrique** et la vérification de celui-ci, vous devez disposer du matériel suivant :

- Lampe étalon à diodes (fig. **1** 8, page 3) ou voltmètre (fig. **1** 9, page 3)
- Ruban vinyle (fig. **1** 11, page 3)
- Si nécessaire, passe-câbles

Pour la **fixation des câbles**, vous aurez éventuellement besoin de serre-fils supplémentaires.

7.2 Montage de la caméra

**ATTENTION !**

La caméra doit être placée et fixée de manière à ce qu'en aucun cas des personnes se trouvant à proximité ne puissent être blessées (éviter par exemple que des branches effleurant le toit du véhicule ne puissent faire tomber la caméra).

**REMARQUE**

Si le montage de la caméra entraîne une modification de la hauteur ou de la longueur du véhicule mentionnées sur les papiers du véhicule, le véhicule doit être reconstrôlé et approuvé par les services compétents (centres de contrôle technique, etc.). Renseignez-vous sur la réglementation en vigueur dans votre pays de résidence.

Veillez respecter les consignes suivantes lors du montage :

- La caméra doit être installée à une hauteur de 2 mètres minimum pour offrir un angle de vue suffisant.
Veillez à effectuer les travaux de montage à un endroit stable.
- Veillez à ce que l'emplacement de la caméra lui garantisse une stabilité suffisante (au cas où, par exemple, des branches effleurant le toit resteraient accrochées à la caméra).
- Montez le support de caméra en position horizontale et centrale à l'arrière du véhicule (fig. **10**, page 6).
- Pour assurer une sécurité maximale, il convient de fixer les éléments à l'aide de vis traversant la carrosserie (non inclus dans la livraison). Lorsque vous procédez à la fixation, veuillez respecter les consignes suivantes :
 - Veillez à ce qu'un espace suffisant soit disponible de l'autre côté de l'emplacement choisi afin que vous puissiez procéder au montage.
 - N'oubliez pas, pour chaque trou percé, de prendre des mesures adéquates afin d'éviter toute infiltration d'eau (par exemple en appliquant du mastic sur chaque vis et/ou en recouvrant de mastic les pièces de fixation extérieures).
 - Il faut choisir pour la fixation un endroit suffisamment solide de la carrosserie afin de pouvoir bien visser le support de la caméra.
- Vérifiez avant le perçage qu'il y a un espace suffisant de l'autre côté du trou pour le passage de la mèche (fig. **2**, page 4).
- Si vous avez le moindre doute quant au choix de l'emplacement de montage, veuillez vous adresser au fabricant de la carrosserie ou à un concessionnaire agréé.



REMARQUE

Afin de minimiser la corrosion des vis, veuillez graisser leur filetage.

Procédez au montage de la façon suivante :

- Placez le support de la caméra sur l'emplacement de montage choisi et marquez au moins deux points de perçage distincts et l'ouverture destinée au câble de raccordement (fig. **11**, page 6).
- A l'aide du marteau, donnez un léger coup de pointe sur les points préalablement marqués afin d'éviter tout décentrage de la mèche.

Orifice destiné au câble de raccordement de la caméra (fig. **12**, page 6)



REMARQUE

Faites passer, dans la mesure du possible, les câbles de raccordement par des ouvertures déjà existantes (ex. : grille d'aération). Si aucun passage n'est disponible, vous devez percer un trou de \varnothing 16 mm.



AVIS ! Risque d'endommagement !

Vérifiez avant le perçage qu'il y a un espace suffisant de l'autre côté du trou pour le passage de la mèche.

- Percez au niveau de l'ouverture préalablement tracée un trou de \varnothing 16 mm.
- Ébavurez tous les trous pratiqués dans la tôle et protégez-les avec un enduit anticorrosif.

Fixez la caméra à l'aide de vis à tôle (fig. 13, page 6)



AVIS ! Risque d'endommagement !

La fixation avec des vis à tôle n'est autorisée que sur les tôles en acier d'une épaisseur de 1,5 mm minimum.

- Percez sur chaque point préalablement tracé un trou de \varnothing 4 mm.
- Ébavurez tous les trous percés et protégez-les avec un enduit anticorrosif.
- Vissez le support de la caméra avec les vis à tôle de 5 x 20 mm.

Montage de la caméra



AVIS ! Risque d'endommagement !

Pour monter la caméra, veuillez utiliser uniquement les vis fournies. Des vis plus longues endommageraient la caméra

- Placez le câble de la caméra à l'intérieur du véhicule.
- Placez la caméra dans le support.
- Fixez la caméra **sans serrer** à l'aide des deux vis M3 x 6 mm dans les trous oblongs (fig. 15, page 6).
- Orientez la caméra provisoirement de manière à ce que l'objectif forme un angle d'env. 50° par rapport à l'axe vertical du véhicule (fig. 16, page 7).

Raccordement électrique de la caméra



REMARQUE

- Posez le câble de la caméra de telle manière que la connexion reliant la caméra au câble de rallonge soit facilement accessible au cas où un démontage de la caméra serait nécessaire. Cette précaution simplifie énormément le démontage.
- Pour minimiser le risque de corrosion de la connexion, lubrifiez légèrement l'un des connecteurs à l'aide d'une graisse spéciale.

- Enfoncez le connecteur du câble de la caméra dans la prise du câble de rallonge.
- Vissez le raccord enfichable afin de le protéger contre les infiltrations d'eau (fig. 17, page 7).

Orientation de la caméra



REMARQUE

Pour orienter la caméra, vous devez d'abord monter et brancher, le cas échéant, un écran (voir schéma électrique de base fig. 18, page 7).

- ▶ Orientez la caméra en fonction de l'image affichée par l'écran :
l'arrière ou le pare-chocs arrière de votre véhicule doit apparaître au bas de l'image de l'écran. La partie centrale du pare-chocs doit apparaître au centre de l'écran (fig. 19, page 7).
- ▶ Vérifiez le fonctionnement de la caméra après l'avoir raccordée à un écran.

Fixation de la caméra

- ▶ Serrez les deux vis de fixation dans les trous allongés du support de l'écran.
- ▶ Placez les caches latéraux (fig. 20, page 8).

8 Entretien et nettoyage de la caméra



AVIS ! Risque d'endommagement !

N'utilisez aucun objet coupant ou dur pour le nettoyage de l'appareil. Cela risquerait de l'endommager.

- ▶ Nettoyez de temps en temps la caméra avec un chiffon doux et humide.

9 Garantie

Le délai légal de garantie s'applique. Si le produit s'avérait défectueux, veuillez vous adresser à la filiale du fabricant située dans votre pays (voir adresses au verso du présent manuel) ou à votre revendeur spécialisé.

Pour toute réparation ou autre prestation de garantie, veuillez joindre à l'appareil les documents suivants :

- composants défectueux,
- une copie de la facture avec la date d'achat,
- le motif de la réclamation ou une description du dysfonctionnement.


10 Retraitement

- ▶ Jetez les emballages dans les conteneurs de déchets recyclables prévus à cet effet.



Lorsque vous mettez votre produit définitivement hors service, informez-vous auprès du centre de recyclage le plus proche ou auprès de votre revendeur spécialisé sur les prescriptions relatives au retraitement des déchets.

11 Caractéristiques techniques

	PerfectView CAM45
N° de produit :	9600000523
Capteur d'images :	1/4" CCD
Pixels :	env. 250000 pixels
Standard vidéo :	PAL, 1 Vpp
Sensibilité :	< 1 lux / 0 Lux avec LED à infrarouges
Angle de vue :	env. 120° en diagonale env. 80° à l'horizontale env. 65° à la verticale
Tension de service :	11 à 16 V $\overline{\text{---}}$
Consommation :	1,2 W
Température de fonctionnement :	de -20 °C à +70 °C
Type de protection :	IP69k
Résistance aux vibrations :	6g
Dimensions L x h x l (avec support) :	78 x 60 x 50 mm
Poids :	env. 0,18 kg
Certification :	

Lea detenidamente estas instrucciones antes de llevar a cabo la instalación y puesta en funcionamiento, y consérvelas en un lugar seguro. En caso de vender o entregar el producto a otra persona, entregue también estas instrucciones.

Índice

1	Explicación de los símbolos	43
2	Indicaciones de seguridad y montaje	43
3	Suministro de entrega	45
4	Uso adecuado.	46
5	Descripción técnica	46
6	Indicaciones relativas a la conexión eléctrica	46
7	Montaje de la cámara	48
8	Mantenimiento y limpieza de la cámara	51
9	Garantía legal	51
10	Gestión de residuos	51
11	Datos técnicos	52

1 Explicación de los símbolos



¡ADVERTENCIA!

Indicación de seguridad: su incumplimiento puede acarrear la muerte o graves lesiones.



¡ATENCIÓN!

Indicación de seguridad: su incumplimiento puede acarrear lesiones.



¡AVISO!

Su incumplimiento puede acarrear daños materiales y perjudicar el correcto funcionamiento del producto.



NOTA

Información adicional para el manejo del producto.

2 Indicaciones de seguridad y montaje

Tenga en cuenta las indicaciones de seguridad y la documentación suministrada por el fabricante del vehículo y por el taller.

El fabricante declina toda responsabilidad ante daños ocurridos en los siguientes casos:

- errores de montaje o de conexión
- daños en el producto debido a influencias mecánicas y sobretensiones
- modificaciones realizadas en el producto sin el expreso consentimiento del fabricante
- utilización del aparato para fines distintos a los descritos en las instrucciones

Tenga en cuenta las siguientes indicaciones:

- Desemborne el polo negativo siempre que vaya a trabajar en el sistema eléctrico del vehículo para evitar un cortocircuito.
Desemborne también el polo negativo de la batería adicional en aquellos vehículos que dispongan de una.
- Las conexiones eléctricas insuficientes pueden provocar que, a causa de un cortocircuito:
 - se quemen los cables,
 - se dispare el airbag,
 - resulten dañados los dispositivos electrónicos de control,
 - queden sin funcionamiento determinadas funciones eléctricas (intermitentes, luz de freno, claxon, encendido, luz).

- Al trabajar en las siguientes líneas, utilice solo terminales de cable, clavijas y manguitos planos que estén provistos de aislamiento:
 - 30 (entrada del polo positivo directo de la batería),
 - 15 (polo positivo conectado, detrás de la batería),
 - 31 (línea de retorno desde la batería, masa),
 - 58 (luz de marcha atrás).

No utilice **ninguna** regleta.

- Utilice una crimpadora (fig. **1** 10, página 3) para empalmar los cables.
 - En el caso de conexiones a la línea 31 (masa), atornille el cable
 - con terminal de cable y arandela dentada a un tornillo de masa del vehículo, o bien,
 - con terminal de cable y tornillo para chapa a la chapa de la carrocería.
- Asegúrese de que se produzca una correcta transmisión a masa.

Tenga en cuenta que al desembornar el polo negativo de la batería se perderán todos los datos almacenados en las memorias volátiles de la electrónica de confort.

- Dependiendo del equipamiento del vehículo, deberá volver a configurar los siguientes datos:
 - código de radio
 - reloj del vehículo
 - temporizador
 - ordenador de a bordo
 - posición del asiento

Las indicaciones para realizar las configuraciones se encuentran en las instrucciones de uso correspondientes.

Tenga en cuenta las siguientes indicaciones durante el montaje:

- Fije bien las piezas de la cámara montadas en el vehículo de modo que no se puedan soltar bajo ninguna circunstancia (frenadas bruscas, accidentes) ocasionando **heridas a los ocupantes del vehículo**.
- Fije ocultas bajo revestimientos las partes del sistema que se deban montar, de manera que no puedan soltarse o dañar otras piezas ni cables, y de manera que no puedan afectar a las funciones del vehículo (dirección, pedales, etc.).
- Al taladrar, asegúrese de disponer de suficiente espacio para la salida de la broca y evitar que se produzcan daños (fig. **2**, página 4).
- Desbarbe las perforaciones y aplíqueles un producto anticorrosivo.
- Tenga en cuenta siempre las indicaciones de seguridad del fabricante del vehículo. Determinados trabajos (p. ej. en los sistemas de retención como el AIRBAG, etc.) solo los puede realizar personal especializado y con la debida formación.

Tenga en cuenta las siguientes indicaciones al trabajar en los componentes eléctricos:

- Para comprobar la tensión en los cables eléctricos utilice solamente un diodo de comprobación (fig. **1** 8, página 3) o un voltímetro (fig. **1** 9, página 3). Las lámparas de prueba con un elemento luminoso (fig. **1** 12, página 3) tienen un consumo de corriente demasiado elevado, por lo que puede dañarse el sistema electrónico del vehículo.
- Al tender los cables eléctricos (fig. **3**, página 4) preste atención a que éstos:
 - no se doblen ni se tuerzan,
 - no rocen con bordes,
 - no se tiendan sin protección a través de guías con aristas afiladas.
- Aísle todos los empalmes y conexiones.
- Asegure los cables frente a tracciones mecánicas mediante abrazaderas para cables o cinta aislante, por ejemplo, fijándolos a las líneas ya existentes.

La cámara es impermeable al agua. Sin embargo, las juntas de la cámara no resisten los efectos de un limpiador de alta presión (fig. **4**, página 4). Por ello, tenga en cuenta también las siguientes indicaciones de uso para la cámara:

- No deben utilizar este producto sin la vigilancia o las instrucciones de una persona responsable las personas (incluidos los niños) que, debido a sus capacidades físicas, sensoriales o mentales, a su falta de experiencia o a desconocimiento, no puedan utilizar el producto de forma segura.
- No abra la cámara, puesto que ello menguaría la estanqueidad y la capacidad de funcionamiento (fig. **5**, página 4).
- No tire de los cables, puesto que ello menguaría la estanqueidad y la capacidad de funcionamiento de la cámara (fig. **6**, página 4).
- La cámara no está concebida para utilizarla bajo agua (fig. **7**, página 4).

3 Suministro de entrega

N.º en fig. 8 , página 5	Cantidad	Denominación	N.º de artículo
1	1	Cámara	9600000523
2	1	Soporte de la cámara con boquilla pasapaneles	9600000571
3	2	Cubierta lateral	–
4	1	Cable del sistema	9102200141
–	1	Material de fijación	–
–	1	Instrucciones de montaje y de uso	–

4 Uso adecuado

La cámara CAM45 (n.º art. 9600000523) está pensada especialmente para su uso en vehículos. Se puede utilizar en sistemas de vídeo destinados a observar, desde el asiento del conductor, el área circundante al vehículo, p.ej., al maniobrar o al aparcarse.



¡ADVERTENCIA!

Peligro de que se produzcan daños personales con el vehículo.

Los sistemas de vídeo de marcha atrás ofrecen una ayuda adicional en las maniobras de marcha atrás, lo que **no** le exime a usted de la **responsabilidad de tomar las precauciones necesarias durante la marcha atrás**.

5 Descripción técnica

La cámara, con micrófono incorporado, está situada dentro de una carcasa de aluminio y transmite la imagen y el sonido al monitor a través de un cable. La visibilidad nocturna mejora gracias a los LEDs infrarrojos.

La cámara transmite la imagen como si se estuviera viendo en el espejo retrovisor.

La cámara consta, entre otros, de los siguientes elementos:

N.º en fig. 9, página 5	Denominación
1	Cable de conexión de 6 polos
2	LEDs infrarrojos
3	Micrófono (parte trasera)

6 Indicaciones relativas a la conexión eléctrica

6.1 Tendido de cables



¡AVISO! ¡Peligro de ocasionar daños materiales!

- Si perfora agujeros, compruebe primero si existe el espacio libre suficiente para la salida del taladro.
- La colocación y las conexiones de cables que no hayan sido realizadas por personal especializado, generalmente tienen como consecuencia el mal funcionamiento o daños en los componentes. La instalación y conexión correctas de los cables son requisitos fundamentales para un funcionamiento duradero y correcto de los accesorios instalados.
- Los cables no deben estar durante largo tiempo en contacto con disolventes, como p.ej. gasolina, puesto que dañarían el cable.

Por ello, observe las siguientes indicaciones:

- Para tender los cables de conexión utilice, siempre que sea posible, canales de paso originales u otras posibilidades, como por ejemplo, bordes del revestimiento, rejillas de ventilación o tapas de interruptores. Si no existe ningún canal de paso previo, deberá realizar las correspondientes perforaciones para cada cable. Antes, compruebe si hay suficiente espacio libre para la salida de la broca.
- Siempre que sea posible, tienda los cables en el interior del vehículo, puesto que allí estarán más protegidos que si van por fuera del mismo.
Si a pesar de ello tendiese los cables por la parte externa del vehículo, procure que queden bien fijos (mediante abrazaderas de cable adicionales, cinta aislante, etc.).
- A fin de evitar daños en los cables, al instalarlos, mantenga una distancia suficiente respecto a las piezas del vehículo que estén calientes y en movimiento (tubos de escape, ejes de accionamiento, dínamo, ventiladores, calefacción, etc.). Como protección mecánica utilice tubo ondulado o material protector de semejantes características.
- Atornille los conectores del cable de conexión para protegerlo frente a la entrada de agua (fig. 17, página 7).
- Al tender los cables (fig. 3, página 4) asegúrese de que:
 - no se doblen ni se retuerzan,
 - no rocen con bordes,
 - no se tiendan sin protección a través de guías con aristas afiladas.
- Fije los cables al vehículo de un modo seguro, para evitar un enganche (peligro de caídas). Para lograr este propósito, utilice abrazaderas para cables, cinta aislante o péguelos con pegamento.
- Proteja cada abertura del revestimiento exterior con las medidas adecuadas para evitar que penetre agua, p. ej. colocando el cable con pasta para juntas y rociando el cable y el tubo protector con pasta para juntas.

**NOTA**

Comience a sellar las aberturas sólo cuando haya finalizado todos los trabajos de ajuste en la cámara y cuando haya determinado las longitudes necesarias del cable de alimentación.

7 Montaje de la cámara

7.1 Herramientas necesarias

Para realizar la **instalación y montaje** son necesarias las siguientes herramientas:

- Juego de brocas (fig. **1** 1, página 3)
- Taladradora (fig. **1** 2, página 3)
- Destornillador (fig. **1** 3, página 3)
- Juego de llaves poligonales o de boca (fig. **1** 4, página 3)
- Regla graduada (fig. **1** 5, página 3)
- Martillo (fig. **1** 6, página 3)
- Punzón para marcar (fig. **1** 7, página 3)

Para realizar la **conexión eléctrica** y su comprobación, necesitará los siguientes medios auxiliares:

- Diodo de comprobación (fig. **1** 8, página 3) o voltímetro (fig. **1** 9, página 3)
- Cinta aislante (fig. **1** 11, página 3)
- tubos protectores para los cables, si fuese necesario

Para la **fijación de los cables** podrá necesitar adicionalmente abrazaderas para cables.

7.2 Montaje de la cámara



¡ATENCIÓN!

Elija un lugar de montaje para la cámara y fíjela de tal forma que en ningún caso puedan resultar heridas las personas que se encuentren cerca (p.ej. por ramas que arranquen la cámara al rozar el techo del vehículo).



NOTA

Puede ocurrir que al montar la cámara, la altura o la longitud del vehículo que aparece en la ficha técnica del vehículo se vean modificadas. En tal caso, las autoridades competentes (ITV, DEKRA, etc.) deberán realizar una nueva comprobación. Solicite a las autoridades de tráfico competentes que registren este nuevo control en la documentación de su vehículo.

Tenga en cuenta las siguientes indicaciones durante el montaje:

- Fije la cámara a un mínimo de 2 m de altura, para obtener un ángulo de visión adecuado. Preste atención a que el lugar donde se realicen los trabajos de montaje ofrezca la suficiente estabilidad.

- Preste atención a que el lugar de montaje de la cámara ofrezca la solidez necesaria (p.ej., es posible que las ramas que pasen por encima del vehículo se queden enganchadas en la cámara).
- Monte el soporte de cámara en posición horizontal y centrada en la parte trasera del vehículo (fig. **10**, página 6).
- La fijación más segura es mediante tornillos que atraviesen la estructura (no incluidos en el volumen de entrega). Por ello, observe las siguientes indicaciones:
 - Asegúrese de que detrás del lugar de montaje elegido haya suficiente espacio libre para poder montar la cámara.
 - Cada abertura se debe proteger con medidas adecuadas para que no penetre agua (p.ej. utilizando tornillos con pasta para juntas y/o rociando las partes externas de sujeción con pasta para juntas).
 - El punto de sujeción de la estructura debe ser lo suficientemente firme como para poder apretar suficientemente el soporte de la cámara.
- Compruebe previamente si se dispone de espacio libre suficiente para la salida de la broca (fig. **2**, página 4).
- Si no está seguro de la idoneidad del lugar de montaje elegido, consulte al fabricante de la estructura o a su representante.

**NOTA**

Para minimizar la corrosión de los tornillos, se recomienda engrasar las roscas.

Para el montaje proceda de la siguiente manera:

- Coloque el soporte de cámara en el lugar de montaje elegido y marque al menos dos puntos de perforación distintos y el orificio de paso del cable de conexión (fig. **11**, página 6).
- Puncée con el martillo y el punzón en los puntos previamente marcados, para evitar posibles desviaciones del taladro.

Realizar la apertura para el paso del cable de conexión de la cámara (fig. **12**, página 6)

**NOTA**

Como canal de paso para el cable de conexión utilice, siempre que sea posible, posibilidades ya existentes, como p.ej., rejillas de ventilación. Si no existen pasos, deberá realizar un agujero de 16 mm de diámetro.

**¡AVISO! ¡Peligro de ocasionar daños materiales!**

Compruebe previamente si se dispone de espacio libre suficiente para la salida de la broca.

- Realice una perforación de $\varnothing 16$ mm en el lugar marcado previamente para el paso del cable.
- Lije todas las perforaciones realizadas en la chapa y aplíqueles un antioxidante.

Atornillado de la cámara con tornillos para chapa (fig. 13, página 6)**¡AVISO! ¡Peligro de ocasionar daños materiales!**

La sujeción con tornillos para chapa sólo puede realizarse en chapas de acero con un grosor mínimo de 1,5 mm.

- Realice una perforación de Ø 4 mm en los puntos marcados anteriormente.
- Lije todas las perforaciones realizadas y aplíqueles un antioxidante.
- Atornille el soporte de la cámara con los tornillos para chapa 5 x 20 mm.

Montaje de la cámara**¡AVISO! ¡Peligro de ocasionar daños materiales!**

Para montar la cámara utilice solo los tornillos que se suministran. Unos tornillos más largos dañarían la cámara.

- Lleve el cable de la cámara hasta el interior del vehículo.
- Inserte la cámara en su soporte.
- Fije la cámara **ligeramente** con los dos tornillos M3 x 6 mm en los dos orificios longitudinales (fig. 15, página 6).
- Oriente la cámara provisionalmente de tal manera que el objetivo forme un ángulo de aprox. 50° respecto al eje vertical del vehículo (fig. 16, página 7).

Conexión eléctrica de la cámara**NOTA**

- Coloque el cable de la cámara de tal modo que, en caso de tener que desmontar la cámara, pueda llegar con facilidad a la conexión de enchufe entre la cámara y el cable alargador. De este modo, el desmontaje se facilita considerablemente.
- Para reducir la corrosión de la clavija, se recomienda aplicar grasa, p.ej. grasa para polos, en una de las clavijas.

- Inserte la clavija del cable de la cámara en el enchufe del cable alargador.
- Atornille el conector para proteger el sistema a fin de que no pueda penetrar agua (fig. 17, página 7).

Orientar la cámara**NOTA**

Para orientar la cámara deberá montar primero un monitor y conectarlo eléctricamente (ver detalle del esquema de conexiones fig. 18, página 7).

- Oriente la cámara según la imagen del monitor:

En el margen inferior de la pantalla debe visualizarse la parte trasera o el parachoques del vehículo propio. El centro del parachoques debe estar también en el centro de la pantalla (fig. 19, página 7).

- Compruebe el funcionamiento de la cámara tras haberla conectado a un monitor.

Fijar la cámara

- Apriete los dos tornillos de fijación en los agujeros alargados del soporte del monitor.
- Coloque las cubiertas laterales (fig. 20, página 8).

8 Mantenimiento y limpieza de la cámara**¡AVISO! ¡Peligro de ocasionar daños materiales!**

No utilice ningún instrumento afilado o duro para la limpieza, ya que podría dañar el aparato.

- Limpie la cámara con un paño húmedo y suave cuando sea necesario.

9 Garantía legal

Rige el plazo de garantía legal. Si el producto presenta algún defecto, diríjase a la sucursal del fabricante de su país (ver direcciones en el dorso de estas instrucciones) o a su establecimiento especializado.

Para la tramitación de la reparación y de la garantía debe enviar lo siguiente:

- componentes defectuosos,
- una copia de la factura con fecha de compra,
- el motivo de la reclamación o una descripción de la avería.


10 Gestión de residuos

- Deseche el material de embalaje en el contenedor de reciclaje correspondiente.



Cuando vaya a desechar definitivamente el producto, infórmese en el centro de reciclaje más cercano o en un comercio especializado sobre las normas pertinentes de eliminación de materiales.

11 Datos técnicos

	PerfectView CAM45
N.º de art.:	9600000523
Sensor de imagen:	1/4" CCD
Píxeles:	aprox. 250000 píxeles
Formato de vídeo:	PAL, 1 Vpp
Sensibilidad:	< 1 lux / 0 lux con LED infrarrojos
Ángulo de visión:	aprox. 120° diagonal aprox. 80° horizontal aprox. 65° vertical
Tensión de funcionamiento:	de 11 a 16 V $\overline{=}$
Consumo:	1,2 W
Temperatura de funcionamiento:	de -20 °C a +70 °C
Clase de protección:	IP69k
Resistencia a vibraciones:	6g
Dimensiones A x H x P (con soporte):	78 x 60 x 50 mm
Peso:	aprox. 0,18 kg
Homologación:	

Por favor, leia atentamente este manual antes da montagem e colocação em funcionamento do aparelho e guarde-o em local seguro. Em caso de transmissão do produto, entregue o manual ao novo utilizador.

Índice

1	Explicação dos símbolos	53
2	Indicações de segurança e de montagem	54
3	Material fornecido	56
4	Utilização adequada	56
5	Descrição técnica	56
6	Indicações sobre a ligação elétrica	57
7	Montar a câmara	58
8	Conservar e limpar a câmara	61
9	Garantia	61
10	Eliminação	61
11	Dados técnicos	62

1 Explicação dos símbolos



AVISO!

Indicação de segurança: o incumprimento pode provocar a morte ou ferimentos graves.



PRECAUÇÃO!

Indicação de segurança: o incumprimento pode provocar ferimentos.



NOTA!

O incumprimento pode causar danos materiais e pode prejudicar o funcionamento do produto.



OBSERVAÇÃO

Informações suplementares sobre a operação do produto.

2 Indicações de segurança e de montagem

Cumpra as indicações de segurança e o especificado na literatura do fabricante do veículo e das associações profissionais do setor!

O fabricante não se responsabiliza por danos nos seguintes casos:

- Erros de montagem ou de conexão
- Danos no produto resultantes de influências mecânicas e sobretensões
- Alterações ao produto sem autorização expressa do fabricante
- Utilização para outras finalidades que não as descritas no manual de instruções

Preste atenção ao seguinte:

- Antes de efetuar trabalhos no sistema elétrico do veículo, desligue sempre o polo negativo devido a perigo de curto-circuito.
No caso de veículos com bateria adicional, esta também deve ser desligada do polo negativo.
- Se não forem ligados todos os cabos, podem ocorrer curtos-circuitos que façam com que
 - os cabos fiquem queimados,
 - o airbag dispare,
 - os dispositivos de controlo eletrónicos fiquem danificados,
 - funções elétricas falhem (pisca-pisca, luz de travagem, buzina, ignição, luzes).
- Em trabalhos nos seguintes cabos, utilize apenas terminais de cabos, fichas e mangas para fichas planas isolados:
 - 30 (entrada do positivo da bateria direta),
 - 15 (positivo ligado, por detrás da bateria),
 - 31 (cabo de retorno a partir da bateria, terra),
 - 58 (faróis de marcha-atrás).

Não utilize quaisquer barras de junção.

- Utilize um alicate de crimpar (fig. **1** 10, página 3) para ligar os cabos.
- Aparafuse o cabo nas ligações ao cabo 31 (terra)
 - com terminal de cabo e arruela dentada a um parafuso de ligação à terra do veículo ou
 - com terminal de cabos e parafuso auto-roscante à chapa da carroçaria.

Garanta a uma boa transmissão à terra!

Ao retirar o borne do polo negativo da bateria, todas as memórias voláteis da eletrónica de conforto perdem os seus dados memorizados.

- De acordo com a versão do veículo, terá de configurar novamente os seguintes dados:
 - Código do rádio
 - Relógio do veículo
 - Temporizador
 - Computador de bordo
 - Posição de utilização

No respetivo manual de instruções encontrará indicações relativas à regulação.

Durante a montagem, respeite as seguintes indicações:

- Fixe as peças da câmara montadas no veículo de forma a que não se soltem em circunstância alguma (travagem busca, acidente de viação), o que poderia causar **ferimentos aos ocupantes do veículo**.
- Fixe os componentes do sistema instalados por baixo de revestimentos de modo a que não se soltem ou danifiquem outros componentes e cabos e não limitem as funções do veículo (direção, pedais, etc.).
- Durante a perfuração, certifique-se de que existe espaço suficiente para a saída da broca de modo a evitar danos (fig. **2**, página 4).
- Remova as rebarbas de cada furo e coloque nos furos um produto anticorrosão.
- Preste sempre atenção às indicações de segurança do fabricante automóvel. Alguns trabalhos (por ex., sistemas de retenção como AIRBAG, etc.) apenas podem ser realizados por técnicos qualificados.

Respeite as seguintes indicações durante o trabalho em peças elétricas:

- Para verificar a tensão em ligações elétricas utilize apenas uma lâmpada de verificação do díodo (fig. **1** 8, página 3) ou um voltímetro (fig. **1** 9, página 3). Lâmpadas de verificação (fig. **1** 12, página 3) com um corpo luminoso consomem correntes muito elevadas, pelo que a eletrónica do veículo pode ser danificada.
- Ao instalar as ligações elétricas (fig. **3**, página 4) tenha atenção para que estas
 - não fiquem dobradas ou torcidas,
 - não sejam friccionadas de encontro às arestas,
 - não passem através de passagens com arestas afiadas sem proteção.
- Isole todos os cabos e ligações.
- Proteja os cabos contra desgaste mecânico através de abraçadeiras ou fita isolante, por ex., nos cabos existentes.

A câmara é estanque. No entanto as vedações da câmara não resistem a um aparelho de limpeza a alta pressão (fig. **4**, página 4). Preste, por isso, atenção às seguintes indicações sobre o manuseamento da câmara:

- As pessoas (incluindo crianças) que não estão aptas a utilizar o produto de modo seguro devido a incapacidade física, sensorial ou mental ou devido à sua inexperiência não devem utilizar o produto sem a supervisão ou as instruções de uma pessoa responsável.
- Não abra a câmara, uma vez que isso afeta a sua estanqueidade e a capacidade de funcionamento (fig. **5**, página 4).
- Não puxe pelos cabos, uma vez que isso afeta a estanqueidade e a capacidade de funcionamento da câmara (fig. **6**, página 4).
- A câmara não é adequada para ser utilizada debaixo de água (fig. **7**, página 4).

3 Material fornecido

N.º na fig. 8, página 5	Quantidade	Designação	N.º de artigo
1	1	Câmara	9600000523
2	1	Suporte da câmara com bloco de ligações para passagem de cabos	9600000571
3	2	Cobertura lateral	–
4	1	Cabo do sistema	9102200141
–	1	Material de fixação	–
–	1	Manual de montagem e operação	–

4 Utilização adequada

A câmara CAM45 (n.º art. 9600000523) foi idealizada predominantemente para a utilização em veículos. Pode ser utilizada em sistemas de vídeo para observação da área em torno do veículo a partir do lugar do motorista, por ex. ao fazer manobras ou ao estacionar.



AVISO!

Perigo de ferimentos provocados pelo veículo.

Os sistemas de vídeo de marcha-atrás oferecem uma ajuda adicional nas manobras de marcha-atrás, **não o dispensando, no entanto, de ser extremamente prudente durante essas manobras.**

5 Descrição técnica

A câmara com microfone incorporado está alojada numa caixa de alumínio e transmite imagem e som através de um cabo para um monitor. Os LED de infravermelhos melhoram a visão noturna.

A câmara transmite a imagem como se olhasse pelo espelho retrovisor.

A câmara é composta, entre outros, pelos seguintes elementos:

N.º na fig. 9, página 5	Designação
1	Cabo de ligação de 6 polos
2	LED de infravermelhos
3	Microfone (verso)

6 Indicações sobre a ligação elétrica

6.1 Passar os cabos



NOTA! Perigo de danos!

- Antes de fazer furos, verifique se existe espaço livre suficiente para a saída da broca.
- A passagem e a ligação de cabos não adequadas provocam sempre falhas de funcionamento ou danos nos componentes. A passagem ou ligação de cabos correta é uma condição fundamental para um funcionamento duradouro e sem falhas dos componentes reequipados.
- Os cabos não podem entrar em contacto durante muito tempo com solventes como, por ex., benzina, uma vez que ficariam danificados.

Preste, por isso, atenção às seguintes indicações:

- Utilize para a passagem do cabo de ligação, se possível, passagens originais ou outras possibilidades de passagem, por ex. arestas de revestimento, grades de ventilação ou interruptores cegos. Se não estiverem disponíveis quaisquer passagens, terá de perfurar os respetivos furos para cada cabo. Confira antes se está disponível espaço livre suficiente para a saída da broca.
- Sempre que possível, passe os cabos através do interior do veículo, pois aí estão mais protegidos do que no exterior.
Caso, mesmo assim, passe os cabos pelo exterior do veículo, tenha atenção para que fiquem bem presos (mediante braçadeiras para cabos ou fita isolante etc.).
- Para evitar danos nos cabos, ao passar os cabos, mantenha sempre uma distância suficiente em relação a peças do veículo quentes ou em movimento (tubos de escape, eixos de transmissão, alternador, ventiladores, aquecimento, etc.). Para proteção mecânica, utilize tubo ondulado ou materiais de proteção semelhantes.
- Aparafuse os conectores do cabo de ligação para ficarem protegidos contra a entrada de água (fig. 17, página 7).
- Ao colocar os cabos (fig. 3, página 4), tenha atenção para que estes
 - não fiquem muito dobrados ou torcidos,
 - não sejam friccionados de encontro às arestas,
 - não passem através de passagens com arestas afiadas sem proteção.
- Fixe os cabos no veículo de modo seguro para evitar que fiquem enrolados (perigo de queda). Isto pode ser realizado através da utilização de abraçadeiras, fita isolante ou cola.
- Proteja cada fenda do revestimento exterior com medidas adequadas para evitar que penetre água, por ex., através da colocação do cabo com massa vedante e através da pulverização do cabo e do bloco de ligação com massa vedante.



OBSERVAÇÃO

Comece a selar as fendas apenas quando tiver finalizado todos os trabalhos de ajuste na câmara e quando tiver determinado os comprimentos necessários do cabo de ligação.

7 Montar a câmara

7.1 Ferramentas necessárias

Para a **instalação e montagem** são necessárias as seguintes ferramentas:

- Conjunto de brocas (fig. **1** 1, página 3)
- Berbequim (fig. **1** 2, página 3)
- Chave de parafusos (fig. **1** 3, página 3)
- Conjunto de chaves em estrela ou chaves de bocas (fig. **1** 4, página 3)
- Régua (fig. **1** 5, página 3)
- Martelo (fig. **1** 6, página 3)
- Punção (fig. **1** 7, página 3)

Para a **ligação elétrica** e respetiva verificação são necessárias as seguintes ferramentas de apoio:

- Lâmpada de verificação do díodo (fig. **1** 8, página 3) ou voltímetro (fig. **1** 9, página 3)
- Fita isoladora (fig. **1** 11, página 3)
- Event. blocos de ligações para passagem de cabos

Para a **fixação dos cabos** necessita, eventualmente, de mais abraçadeiras.

7.2 Montar a câmara



PRECAUÇÃO!

Selecione o local da câmara e fixe-a de forma segura, de modo a que, em caso algum, pessoas que se encontrem nas proximidades possam ficar feridas, por ex., se ramos por cima do tejadilho roçarem na câmara.



OBSERVAÇÃO

Se, devido à montagem da câmara, a altura ou o comprimento do veículo registado nos respetivos documentos for alterado, deve ser realizada uma nova aprovação por parte das entidades competentes (TÜV, DEKRA, etc.) (organismos de inspeção alemães).

Dirija-se à entidade rodoviária competente para que esta aprove as alterações ao veículo.

Durante a montagem, respeite as seguintes indicações:

- Coloque a câmara para um ângulo de visão razoável a uma altura de, pelo menos, dois metros. Preste atenção na montagem para que exista um espaço de trabalho estável suficiente.
- Preste atenção para que o local de montagem da câmara ofereça estabilidade suficiente (por ex., ramos que passam por cima do tejadilho podem enrolar-se na câmara).

- Monte o suporte da câmara na posição horizontal e ao centro na traseira do veículo (fig. 10, página 6).
- A forma mais segura de fixação são parafusos que atravessam a estrutura (não incluídos no material fornecido). Neste caso, preste atenção às seguintes indicações:
 - Por trás da posição de montagem selecionada deve existir espaço livre suficiente para a montagem.
 - Cada fenda tem de ficar protegida com medidas adequadas para evitar que penetre água, (por ex., através da colocação dos parafusos com massa vedante e/ou através da pulverização dos elementos de fixação exteriores com massa vedante).
 - A estrutura tem de oferecer estabilidade suficiente no ponto de fixação para que o suporte da câmara possa ser suficientemente apertado.
- Verifique antes se existe espaço livre suficiente para a saída da broca (fig. 2, página 4).
- Se não se sentir seguro acerca do local de montagem por si selecionado, informe-se junto do fabricante da estrutura ou do respetivo representante.

**OBSERVAÇÃO**

Para minimizar a corrosão dos parafusos, lubrifique a rosca.

Para a montagem, proceda do seguinte modo:

- ▶ Segure o suporte da câmara no local de montagem selecionado e marque, no mínimo, dois pontos de perfuração diferentes e a passagem para o cabo de conexão (fig. 11, página 6).
- ▶ Efetue uma punção nos pontos anteriormente assinalados com martelo e punção para evitar que a broca deslize.

Realizar a fenda para o cabo de ligação da câmara (fig. 12, página 6)**OBSERVAÇÃO**

Utilize para a passagem do cabo de ligação, se possível, possibilidades de passagem existentes, por ex., grelhas de ventilação. Se não existirem quaisquer passagens, terá de fazer um furo com um Ø de 16 mm.

**NOTA! Perigo de danos!**

Verifique antes se existe espaço livre suficiente para a saída da broca.

- ▶ Faça um furo de Ø 16 mm na passagem anteriormente marcada.
- ▶ Remova as rebarbas de todos os furos realizados na chapa e coloque nos furos um produto anticorrosão.

Aparafusar a câmara com os parafusos auto-roscante (fig. 13, página 6)**NOTA! Perigo de danos!**

A fixação com parafusos perfurantes para chapa apenas pode ser realizada em chapas de aço com uma espessura mínima de 1,5 mm.

- Faça um furo de \varnothing 4 mm nos pontos marcados anteriormente.
- Remova as rebarbas de todos os furos e coloque nos furos um produto anticorrosão.
- Aparafuse o suporte da câmara com os parafusos auto-roscentes de 5 x 20 mm.

Montar a câmara**NOTA! Perigo de danos!**

Utilize para a montagem da câmara apenas os parafusos juntamente fornecidos. Parafusos mais compridos danificam a câmara.

- Conduza o cabo da câmara para o interior do veículo.
- Desloque a câmara para o suporte da câmara.
- Fixe a câmara **sem apertar muito** com os dois parafusos de M3 x 6 mm nos orifícios oblongos (fig. 15, página 6).
- Alinhe a câmara provisoriamente de forma a que a objetiva forme um ângulo de aprox. 50° em relação ao eixo vertical do veículo (fig. 16, página 7).

Efetuar a ligação elétrica da câmara**OBSERVAÇÃO**

- Passe o cabo da câmara de forma a que, em caso de uma desmontagem eventualmente necessária, se possa aceder facilmente à ligação de ficha entre a câmara e o cabo de extensão. A desmontagem ficará deste modo consideravelmente simplificada.
- De forma a minimizar a corrosão na ficha, aplique um pouco de massa lubrificante, por ex., massa própria para pinos, numa das fichas.

- Insira a ficha do cabo da câmara na tomada do cabo de extensão.
- Aparafuse o encaixe para proteção contra a penetração de água (fig. 17, página 7).

Alinhar a câmara



OBSERVAÇÃO

Para alinhar a câmara terá de, eventualmente, montar ainda um monitor e efetuar a respetiva ligação elétrica (ver o esquema de ligações de princípio fig. 18, página 7).

- ▶ Alinhe a câmara com base na imagem do monitor:

A imagem do monitor deverá mostrar na margem inferior da imagem a traseira ou o para-choques do seu veículo. O centro do para-choques também deverá estar ao centro da imagem do monitor (fig. 19, página 7).

- ▶ Verifique o funcionamento da câmara, após a mesma ser ligada a um monitor.

Fixar a câmara

- ▶ Aperte os dois parafusos de fixação nos orifícios oblongos do suporte para monitor.
- ▶ Encaixe as coberturas laterais (fig. 20, página 8).

8 Conservar e limpar a câmara



NOTA! Perigo de danos!

Não utilize objetos afiados ou duros para a limpeza, uma vez que podem causar danos no aparelho.

- ▶ De vez em quando, limpe a câmara com um pano macio humedecido.

9 Garantia

É válido o prazo de garantia legal. Se o produto estiver com defeito, por favor, dirija-se à representação do fabricante no seu país (endereço, ver verso do manual) ou ao seu revendedor.

Para fins de reparação ou de garantia, terá de enviar os seguintes documentos:

- componentes com defeito,
- uma cópia da fatura com a data de aquisição,
- um motivo de reclamação ou uma descrição da falha.


10 Eliminação

- ▶ Sempre que possível, coloque o material de embalagem no respectivo contentor de reciclagem.



Para colocar o aparelho definitivamente fora de funcionamento, por favor, informe-se junto do centro de reciclagem mais próximo ou revendedor sobre as disposições de eliminação aplicáveis.

11 Dados técnicos

	PerfectView CAM45
N.º art.:	9600000523
Sensor de imagem:	1/4" CCD
Pontos de imagem:	aprox. 250000 pixels
Padrão de vídeo:	PAL, 1 Vpp
Sensibilidade:	< 1 Lux / 0 Lux com LED infravermelhos
Ângulo de visão:	aprox. 120° diagonal aprox. 80° horizontal aprox. 65° vertical
Tensão de funcionamento:	11 a 16 V $\overline{=}$
Consumo:	1,2 W
Temperatura de funcionamento:	-20 °C a +70 °C
Classe de proteção:	IP69k
Resistência à vibração:	6 g
Dimensões L x A x P (com suporte):	78 x 60 x 50 mm
Peso:	aprox. 0,18 kg
Certificação:	

Prima di effettuare il montaggio e la messa in funzione leggere accuratamente questo manuale di istruzioni, conservarlo e in caso di trasmissione del prodotto, consegnarlo all'utente successivo.

Indice

1	Spiegazione dei simboli	64
2	Indicazioni di sicurezza e di montaggio	64
3	Dotazione	66
4	Uso conforme alla destinazione	67
5	Descrizione tecnica	67
6	Indicazioni per il collegamento elettrico	68
7	Montaggio della telecamera	69
8	Cura e pulizia della telecamera	72
9	Garanzia	72
10	Smaltimento	72
11	Specifiche tecniche	73

1 Spiegazione dei simboli

**AVVERTENZA!**

Avviso di sicurezza: la mancata osservanza di questo avviso può causare ferite gravi anche mortali.

**ATTENZIONE!**

Avviso di sicurezza: la mancata osservanza di questo avviso può essere causa di lesioni.

**AVVISO!**

La mancata osservanza di questa nota può causare danni materiali e compromettere il funzionamento del prodotto.

**NOTA**

Informazioni integranti relative all'impiego del prodotto.

2 Indicazioni di sicurezza e di montaggio

Osservare le indicazioni di sicurezza e le direttive previste dal produttore del veicolo e degli specialisti del settore!

Il produttore non si assume nessuna responsabilità per danni nei seguenti casi:

- errori di montaggio o di allacciamento
- danni al prodotto dovuti a influenze meccaniche o a sovratensioni
- modifiche al prodotto senza esplicita autorizzazione del produttore
- impiego per altri fini rispetto a quelli descritti nel manuale di istruzioni

Osservare le seguenti avvertenze.

- Per scongiurare il pericolo di un cortocircuito, staccare sempre il polo negativo, prima di eseguire qualsiasi lavoro al sistema elettrico del veicolo.
È necessario staccare il polo negativo della batteria anche quando si tratta di veicoli con batteria ausiliare.
- In caso di cortocircuito, collegamenti elettrici inadeguati possono provocare
 - bruciatura di cavi
 - attivazione dell'airbag
 - danneggiamento ai dispositivi elettronici di controllo
 - guasti delle funzioni elettriche (lampeggiatore, luce di arresto, segnalatore acustico, accensione, luce di marcia)

- Per l'esecuzione dei lavori alle seguenti linee, impiegare solamente spine, spine femmina piatte e capicorda isolati:
 - 30 (ingresso diretto del polo della batteria)
 - 15 (polo positivo inserito, dietro batteria)
 - 31 (cavo di ritorno dalla batteria, a massa)
 - 58 (proiettore di retromarcia)

Non utilizzare morsetti.

- Impiegare una pinza crimpatrice (fig. **1** 10, pagina 3) per collegare i cavi.
- Collegare il cavo con viti agli allacciamenti sulla linea 31 (a massa)
 - con capocorda e rosetta elastica dentata piana ad una vite di massa propria del veicolo o
 - con capocorda e vite autofilettante alla lamiera della carrozzeria.

Accertarsi che ci sia un buon collegamento di massa!

Quando si stacca il polo negativo della batteria, tutte le memorie volatili del sistema dell'elettronica per funzioni comfort perdono i dati memorizzati.

- A seconda dell'equipaggiamento del veicolo devono essere reimpostati i seguenti dati per:
 - codice radio
 - orologio
 - timer
 - computer di bordo
 - posizione sedile

Per indicazioni relative all'impostazione, consultare le istruzioni per l'uso valide di volta in volta.

Osservare le seguenti indicazioni per il montaggio:

- Fissare i componenti della telecamera montati nel veicolo in modo che non possano mai staccarsi, (ad es. in caso di frenate brusche o incidenti) e non possano portare al **ferimento dei passeggeri**.
- Fissare i componenti del sistema non a vista da applicare sotto il rivestimento in modo tale che non possano staccarsi o danneggiare altri componenti e cavi e compromettere le funzioni del veicolo (sterzo, pedali ecc.).
- Durante i lavori di trapanatura, assicurarsi che ci sia spazio sufficiente per l'uscita del trapano per evitare eventuali danni (fig. **2**, pagina 4).
- Sbavare ogni foro e trattarlo con antiruggine.
- Osservare sempre le indicazioni di sicurezza del produttore del veicolo. Alcuni lavori (ad es. ai sistemi di ritenuta, quali AIRBAG ecc.) devono essere eseguiti esclusivamente da personale qualificato addestrato.

Osservare le seguenti indicazioni durante l'esecuzione dei lavori ai componenti elettrici:

- Per il controllo della tensione nelle linee elettriche utilizzare unicamente una diodo indicatore (vedi fig. **1** 8, pagina 3) oppure un voltmetro (vedi fig. **1** 9, pagina 3). Le lampade campione con un corpo luminoso (fig. **1** 12, pagina 3) assorbono correnti troppo elevate, rischiando così di danneggiare il sistema elettronico del veicolo.

- Durante la disposizione degli allacciamenti elettrici (fig. **3**, pagina 4) fare in modo che questi
 - non vengano torti o piegati,
 - non sfreghino contro spigoli,
 - non vengano posati in canaline con spigoli vivi e senza protezione.
- Isolare tutti i collegamenti e gli allacciamenti.
- Con fascette serracavi o con nastro isolante fissare i cavi, ad es. alle linee disponibili, per proteggerli dalle sollecitazioni meccaniche.

La telecamera è a tenuta stagna. Le guarnizioni della telecamera però non resistono al getto di una idropulitrice (fig. **4**, pagina 4). È opportuno perciò osservare le seguenti indicazioni per l'impiego della telecamera:

- Le persone (bambini inclusi) che, a causa delle proprie capacità fisiche, sensoriali o mentali oppure della propria inesperienza o scarsa conoscenza, non siano in grado di utilizzare il prodotto in modo sicuro, devono evitare di utilizzare questo prodotto se non in presenza e seguendo le istruzioni di una persona per loro responsabile.
- Non aprire la telecamera in quanto ne verrebbero compromesse la tenuta e la funzionalità (fig. **5**, pagina 4).
- Non tirare i cavi perché la tenuta e la funzionalità della telecamera verrebbero compromesse (fig. **6**, pagina 4).
- La telecamera non è adatta per l'impiego sott'acqua (fig. **7**, pagina 4).

3 Dotazione

N. in fig. 8 , pagina 5	Quantità	Denominazione	N. articolo
1	1	Telecamera	9600000523
2	1	Supporto della telecamera con boccia passacavo	9600000571
3	2	Copertura laterale	–
4	1	Cavo del sistema	9102200141
–	1	Materiale di fissaggio	–
–	1	Istruzioni di montaggio e d'uso	–

4 Uso conforme alla destinazione

La telecamera CAM45 (n. art. 9600000523) è concepita principalmente per l'impiego in veicoli. Può essere applicata in videosistemi che servono a controllare l'area circostante il veicolo dal sedile di guida, ad es. in fase di manovra o di parcheggio.



AVVERTENZA!

Pericolo di danni a persone causati dal veicolo.

I videosistemi per retromarcia rappresentano un aiuto durante la retromarcia, tuttavia **non** esulano il conducente dal **dovere di guidare con particolare prudenza durante la retromarcia**.

5 Descrizione tecnica

La telecamera con microfono integrato è alloggiata in una scatola in alluminio e trasmette immagini e suoni attraverso un cavo collegato a un monitor. I LED a raggi infrarossi consentono una migliore visibilità notturna.

La telecamera trasmette l'immagine come se l'utente guardasse nello specchietto retrovisore.

La telecamera è costituita inoltre dai seguenti elementi:

N. in fig. 9, pagina 5	Denominazione
1	Cavo di allacciamento a 6 poli
2	LED a raggi infrarossi
3	Microfono (lato posteriore)

6 Indicazioni per il collegamento elettrico

6.1 Posa dei cavi



AVVISO! Pericolo di danni!

- Prima di effettuare dei fori, assicurarsi che ci sia spazio sufficiente per l'uscita della punta da trapano.
- Pose e collegamenti dei cavi non eseguiti a regola d'arte, portano a continui malfunzionamenti o danni degli elementi costruttivi. Un'esecuzione corretta della posa e del collegamento dei cavi rappresenta il presupposto essenziale per un funzionamento duraturo e corretto dei componenti dell'equipaggiamento ausiliario.
- I cavi non devono venire in contatto per un periodo prolungato con solventi come ad es. benzina, poiché possono esserne danneggiati.

Osservare perciò le seguenti indicazioni:

- Per il passaggio del cavo di collegamento impiegare, a seconda delle possibilità, canaline originali o altri tipi di aperture, ad es. spigoli dei pannelli interni, griglie di aerazione oppure interruttori finti. Se non vi sono aperture disponibili, occorre realizzare di volta in volta fori adatti per i vari cavi. Verificare prima che vi sia uno spazio sufficiente per l'uscita del trapano.
- Quando è possibile, posare i cavi sempre all'interno del veicolo perché qui sono più protetti che al suo esterno.
Se tuttavia i cavi devono essere posati all'esterno del veicolo, assicurarsi che siano fissati in modo sicuro (mediante fascette serracavi supplementari, nastro isolante e simili).
- Per evitare danni al cavo, nel posarlo fare in modo che vi sia sempre una distanza sufficiente da parti surriscaldate e rotanti del veicolo (tubi di scarico, alberi motore, alternatore, ventola, riscaldamento e simili). Per proteggere le parti meccaniche utilizzare un tubo ondulato o materiali di protezione simili.
- Per proteggere dalla penetrazione d'acqua, evitare i collegamenti a spina dei cavi di collegamento (fig. 17, pagina 7).
- Durante la posa dei cavi (fig. 3, pagina 4) assicurarsi che essi
 - non vengano torti o piegati eccessivamente,
 - non sfreghino contro spigoli,
 - non vengano posati in canaline con spigoli vivi senza protezione.
- Fissare il cavo in modo sicuro nel veicolo per evitare che si impigli (pericolo di ribaltamento). Questa situazione si può verificare se si utilizzano fascette serracavi, nastro isolante o adesivi.
- Prendere le dovute precauzioni per proteggere ogni apertura realizzata nella carrozzeria in modo che non penetri acqua, ad es. mediante l'introduzione del cavo con materiale sigillante e spruzzando mastice sul cavo e sulla boccola passacavo.



NOTA

Iniziare l'impermeabilizzazione delle aperture solo dopo aver terminato di impostare la telecamera e aver stabilito le lunghezze necessarie dei cavi di allacciamento.

7 Montaggio della telecamera

7.1 Attrezzi necessari

Per l'**installazione e il montaggio** sono necessari i seguenti utensili:

- set di punte da trapano (fig. **1** 1, pagina 3)
- trapano (fig. **1** 2, pagina 3)
- cacciaviti (fig. **1** 3, pagina 3)
- set di chiavi ad anello o chiavi fisse (fig. **1** 4, pagina 3)
- metro (fig. **1** 5, pagina 3)
- martello (fig. **1** 6, pagina 3)
- punzone (fig. **1** 7, pagina 3)

Per l'**allacciamento elettrico** e il controllo dello stesso sono necessari i seguenti mezzi ausiliari:

- diodo indicatore (fig. **1** 8, pagina 3) o voltmetro (fig. **1** 9, pagina 3)
- nastro isolante (fig. **1** 11, pagina 3)
- eventualmente boccole passacavi

Per il **fissaggio dei cavi** potrebbero essere necessarie anche altre fascette serracavi.

7.2 Montaggio della telecamera



ATTENZIONE!

Scegliere l'ubicazione della telecamera e fissarla saldamente in modo tale da impedire in qualsiasi situazione che possano venire ferite persone che si trovano nelle vicinanze, per es. se la telecamera viene staccata da rami bassi che strisciano sul tetto del veicolo.



NOTA

Se con l'installazione della telecamera vengono modificate l'altezza o la lunghezza del veicolo rispetto a quelle indicate nella carta di circolazione, è necessario fare eseguire un nuovo collaudo dagli enti competenti (TÜV, DEKRA e simili).

Far registrare il nuovo collaudo sulla carta di circolazione dall'ente per la circolazione stradale competente.

Osservare le seguenti indicazioni per il montaggio:

- Applicare la telecamera ad almeno due metri di altezza, per ottenere un angolo di visibilità ragionevole.
Durante il montaggio assicurarsi che si disponga di una superficie di ampiezza e stabilità sufficienti per lavorare.
- Assicurarsi che la telecamera sia montata in modo sufficientemente stabile (ad es. è possibile che passando sotto ad alberi i rami si possano impigliare nella telecamera sul tetto).

- Montare il supporto telecamera orizzontalmente e nella zona centrale nella parte posteriore del veicolo (fig. **10**, pagina 6).
- Il modo migliore per fissare la telecamera è con viti che passano attraverso la carrozzeria (non fornite in dotazione). Osservare quindi le seguenti indicazioni:
 - Dietro alla posizione scelta per il montaggio ci deve essere sufficiente spazio per permettere il montaggio.
 - Tenere presente che ogni apertura deve essere protetta con misure adeguate contro la penetrazione d'acqua (ad es. utilizzando viti con mastice e/o spruzzando mastice sui componenti di fissaggio esterni).
 - La struttura corrispondente alla zona di fissaggio deve offrire sufficiente solidità in modo che il supporto della telecamera possa essere stretto adeguatamente.
- Controllare prima che ci sia uno spazio sufficiente per l'uscita del trapano (fig. **2**, pagina 4).
- Se si nutrono dubbi sulla sicurezza del luogo di montaggio prescelto, consigliamo di richiedere informazioni presso il costruttore della carrozzeria o presso una filiale.

**NOTA**

Per ridurre al minimo la corrosione delle viti, lubrificare la filettatura.

Per eseguire il montaggio procedere come segue:

- Tenere il supporto della telecamera sul luogo di montaggio prescelto e contrassegnare almeno due diversi punti sia per la trapanatura che per l'apertura per il passaggio del cavo di allacciamento (fig. **11**, pagina 6).
- Punzonare i punti precedentemente contrassegnati usando martello e punzone per impedire una deviazione del trapano.

Creazione dell'apertura per il passaggio del cavo di allacciamento della telecamera (fig. **12, pagina 6)****NOTA**

Per il passaggio dei cavi di allacciamento, utilizzare, a seconda delle possibilità, aperture già esistenti, per es. griglie di ventilazione. Se non ci sono aperture disponibili occorre realizzare un foro del \varnothing di 16 mm.

**AVVISO! Pericolo di danni!**

Controllare prima che ci sia uno spazio sufficiente per l'uscita del trapano.

- Sulla canalina precedentemente contrassegnata realizzare un foro del \varnothing di 16 mm.
- Sbavare ogni foro realizzato sulla lamiera e trattarlo con antiruggine.

Fissaggio della telecamera con viti autofilettanti (fig. 13, pagina 6)



AVVISO! Pericolo di danni!

Il fissaggio con viti per lamiera deve essere eseguito solo in lamiere d'acciaio con uno spessore minimo di 1,5 mm.

- Su tutti i punti precedentemente contrassegnati realizzare un foro del Ø di 4 mm.
- Sbavare ogni foro e trattarlo con protezione antiruggine.
- Avvitare il supporto della telecamera con le viti per lamiera 5 x 20 mm.

Montaggio della telecamera



AVVISO! Pericolo di danni!

Per montare la telecamera impiegare unicamente le viti comprese nella fornitura. Viti più lunghe danneggiano la telecamera.

- Far passare il cavo della telecamera all'interno del veicolo.
- Inserire la telecamera nel relativo supporto.
- Fissare la telecamera avvitandola **senza bloccarla** con le due viti M3 x 6 mm nelle asole (fig. 15, pagina 6).
- Orientare la telecamera provvisoriamente in modo tale che l'obiettivo formi un angolo di circa 50° con l'asse verticale del veicolo (fig. 16, pagina 7).

Allacciamento elettrico della telecamera



NOTA

- Posare il cavo della telecamera in modo tale da arrivare senza difficoltà alla connessione a spina fra la telecamera e il cavo di prolunga, nel caso in cui si debba eventualmente smontare la telecamera. Lo smontaggio viene in questo modo notevolmente facilitato.
- Per ridurre al minimo il grado di corrosione nella spina, consigliamo di spalmare su una delle spine uno strato di grasso, ad es. grasso per poli della batteria.

- Inserire la spina del cavo del motore nella presa del cavo di prolunga.
- Per proteggere dalla penetrazione d'acqua, avvitare il collegamento a spina (fig. 17, pagina 7).

Orientamento della telecamera



NOTA

Per orientare la telecamera può essere eventualmente necessario montare prima un monitor ed effettuare l'allacciamento elettrico (vedi lo schema di allacciamento di base fig. 18, pagina 7).

- ▶ Orientare la telecamera sulla base dell'immagine del monitor:
l'immagine sul monitor deve mostrare sul margine inferiore la parte posteriore o il paraurti del veicolo. La parte centrale del paraurti dovrebbe trovarsi al centro del monitor (fig. 19, pagina 7).
- ▶ Verificare il funzionamento della telecamera dopo averla collegata ad un monitor.

Fissaggio della telecamera

- ▶ Serrare entrambe le viti di fissaggio nelle asole del supporto del monitor.
- ▶ Applicare le coperture laterali (fig. 20, pagina 8).

8 Cura e pulizia della telecamera



AVVISO! Pericolo di danni!

Per la pulizia non impiegare detergenti corrosivi o oggetti ruvidi perché potrebbero provocare danni all'apparecchio.

- ▶ Pulire la telecamera di tanto in tanto con un panno morbido umido.

9 Garanzia

Vale il termine di garanzia previsto dalla legge. Qualora il prodotto risultasse difettoso, La preghiamo di rivolgersi alla filiale del produttore del suo Paese (l'indirizzo si trova sul retro del manuale di istruzioni), oppure al rivenditore specializzato di riferimento.

Per la riparazione o il disbrigo delle condizioni di garanzia è necessario inviare quanto segue:

- i componenti difettosi,
- una copia della fattura con la data di acquisto del prodotto,
- un motivo su cui fondare il reclamo, oppure una descrizione del guasto.


10 Smaltimento

- ▶ Raccogliere il materiale di imballaggio possibilmente negli appositi contenitori di riciclaggio.



Quando il prodotto viene messo fuori servizio definitivamente, informarsi al centro di riciclaggio più vicino, oppure presso il proprio rivenditore specializzato, sulle prescrizioni adeguate concernenti lo smaltimento.

11 Specifiche tecniche

	PerfectView CAM45
N. art.:	9600000523
Sensore di immagine:	1/4" CCD
Punti immagine:	ca. 250000 pixel
Standard video:	PAL, 1 Vpp
Sensibilità:	< 1 Lux / 0 Lux con LED a infrarossi
Angolo di visibilità:	ca. 120° in diagonale ca. 80° in orizzontale ca. 65° in verticale
Tensione di esercizio:	da 11 a 16 V $\overline{=}$
Consumo:	1,2 W
Temperatura di esercizio:	da -20 °C a +70 °C
Classe di protezione:	IP69k
Resistenza alle vibrazioni:	6g
Dimensioni L x H x P (con supporto):	78 x 60 x 50 mm
Peso:	ca. 0,18 kg
Omologazione:	

Lees deze handleiding voor de montage en de ingebruikname zorgvuldig door en bewaar hem. Geef de handleiding bij het doorgeven van het product aan de gebruiker.

Inhoudsopgave

1	Verklaring van de symbolen	75
2	Veiligheids- en montage-instructies	75
3	Omvang van de levering	77
4	Gebruik volgens de voorschriften	77
5	Technische beschrijving	78
6	Aanwijzingen voor de elektrische aansluiting	78
7	Camera monteren	79
8	Camera onderhouden en reinigen	82
9	Garantie	83
10	Afvoer	83
11	Technische gegevens	84

1 Verklaring van de symbolen



WAARSCHUWING!

Veiligheidsaanwijzing: Het niet naleven kan leiden tot overlijden of ernstig letsel.



VOORZICHTIG!

Veiligheidsaanwijzing: Het niet naleven kan leiden tot letsel.



LET OP!

Het niet naleven ervan kan leiden tot materiële schade en de werking van het product beperken.



INSTRUCTIE

Aanvullende informatie voor het bedienen van het product.

2 Veiligheids- en montage-instructies

Neem de veiligheidsinstructies en voorschriften van de fabrikant van het voertuig en het garagebedrijf in acht!

De fabrikant kan in de volgende gevallen niet aansprakelijk worden gesteld voor schade:

- montage- of aansluitfouten
- beschadiging van het product door mechanische invloeden en overspanningen
- veranderingen aan het product zonder uitdrukkelijke toestemming van de fabrikant
- gebruik voor andere dan de in de handleiding beschreven toepassingen

Neem de volgende instructies in acht:

- In verband met kortsluitingsgevaar moet voor werkzaamheden aan het elektrisch systeem van het voertuig altijd de minpool worden losgekoppeld.
Bij voertuigen met een extra accu moet ook daar de minpool worden losgekoppeld.
- Ontoereikende leidingverbindingen kunnen tot gevolg hebben dat door kortsluiting
 - kabelbranden ontstaan,
 - de airbag wordt geactiveerd,
 - elektronische besturingsinrichtingen beschadigd worden,
 - elektrische functies uitvallen (knipperlicht, remlicht, claxon, contact, licht).
- Gebruik bij werkzaamheden aan de volgende leidingen alleen geïsoleerde kabelschoenen, stekkers en vlaksteker-kabelschoenen:
 - 30 (ingang van accu plus direct),
 - 15 (geschakelde plus, achter accu),
 - 31 (retourleiding vanaf accu, massa),
 - 58 (achteruitrijlicht).

Gebruik **geen** kroonsteentjes.

- Gebruik een krimp tang (afb. **1** 10, pagina 3) voor het verbinden van de kabels.
- Schroef de kabel bij aansluitingen aan leiding 31 (massa)
 - met kabelschoen en getande ring aan een massaschroef van het voertuig of
 - met kabelschoen en plaatschroef aan de carrosserieplaat.

Let op een goede massaverbinding!

Bij het loskoppelen van de minpool van de accu verliezen alle vluchtige geheugens van de elektronica voor comfortvoorzieningen de opgeslagen data.

- De volgende data moet u afhankelijk van de voertuiguitrusting opnieuw instellen:
 - radiocode
 - voertuigklok
 - tijdschakelklok
 - boordcomputer
 - stoelinstelling

Instructies voor het instellen vindt u in de betreffende gebruiksaanwijzing.

Neem bij de montage de volgende aanwijzingen in acht:

- Bevestig de in het voertuig gemonteerde onderdelen van de camera zodanig dat ze in geen geval (hard remmen, verkeersongeval) los kunnen raken en tot **verwondingen bij de inzittenden van het voertuig** kunnen leiden.
- Bevestig onderdelen die afgedekt onder bekledingen moeten worden aangebracht zodanig, dat ze niet losraken of andere onderdelen en leidingen beschadigen en geen functies van het voertuig (besturing, pedalen etc.) kunnen beperken.
- Let er bij het boren op dat er ook achter het te doorboren oppervlak genoeg ruimte is voor de boor, om schade te voorkomen (afb. **2**, pagina 4).
- Ontbraam elk boorgat en behandel de boorgaten met antiroestmiddel.
- Neem altijd de veiligheidsinstructies van de fabrikant van het voertuig in acht. Een aantal werkzaamheden (bijv. aan beveiligingssystemen zoals AIRBAG etc.) mogen alleen door geschoolde vaklui uitgevoerd worden.

Neem bij werkzaamheden aan elektrische onderdelen de volgende instructies in acht:

- Gebruik voor het controleren van de spanning in elektrische leidingen alleen een diodetest-lamp (afb. **1** 8, pagina 3) of een voltmeter (afb. **1** 9, pagina 3). Testlampen met een lampbehuizing (afb. **1** 12, pagina 3) gebruiken te veel stroom, waardoor het elektrisch systeem van het voertuig beschadigd kan raken.
- Neem bij het monteren van de elektrische aansluitingen (afb. **3**, pagina 4) in acht dat deze
 - niet worden geknikt of verdraaid,
 - niet langs randen schuren,
 - niet zonder bescherming door openingen met scherpe kanten worden gelegd.
- Isoleer alle verbindingen en aansluitingen.
- Borg de kabels tegen mechanische belasting met kabelverbinders of isolatieband, bijv. aan de aanwezige leidingen.

De camera is waterdicht. De afdichtingen van de camera beschermen echter niet tegen een hogedrukreiniger (afb. **4**, pagina 4). Neem daarom de volgende instructies voor de omgang met de camera in acht:

- Personen (ook kinderen) die door hun fysieke, sensorische of geestelijke vaardigheden, of hun onervarenheid of onwetendheid niet in staat zijn om het product veilig te gebruiken, mogen dit niet zonder toezicht of instructie door een verantwoordelijke persoon doen.
- Open de camera niet, aangezien hierdoor de dichtheid en werking van de camera beperkt kunnen worden (afb. **5**, pagina 4).
- Trek niet aan de kabels, aangezien hierdoor de dichtheid en werking van de camera beperkt kunnen worden (afb. **6**, pagina 4).
- De camera is niet voor gebruik onder water geschikt (afb. **7**, pagina 4).

3 Omvang van de levering

Nr. in afb. 8 , pagina 5	Hoeveelheid	Omschrijving	Artikelnr.
1	1	Camera	9600000523
2	1	Camerahouder met kabeldoorvoertule	9600000571
3	2	Zijafdekking	–
4	1	Systeemkabel	9102200141
–	1	Bevestigingsmateriaal	–
–	1	Montagehandleiding en gebruiksaanwijzing	–

4 Gebruik volgens de voorschriften

De camera CAM45 (artikelnr. 9600000523) is vooral voor het gebruik in voertuigen bedoeld. De camera kan worden gebruikt in videosystemen voor het waarnemen van het bereik rond het voertuig vanuit de bestuurdersstoel, bijvoorbeeld bij het rangeren of parkeren.



WAARSCHUWING!

Gevaar voor persoonlijke letsels door het voertuig.

Achteruitrijvideosystemen zijn een hulpmiddel bij het achteruitrijden, het ontslaat u echter **niet** van **de plicht bijzonder voorzichtig te zijn tijdens achteruitrijden**.

5 Technische beschrijving

De camera met geïntegreerde microfoon is bevestigd in een aluminium behuizing en geeft beeld en geluid via een kabel door aan een monitor. Door de infraroodleds wordt de nachtwoergave verbeterd.

De camera toont het beeld alsof in een achteruitrijspiegel wordt gekeken.

De camera bestaat o.a. uit de volgende elementen:

Nr. in afb. 9, pagina 5	Omschrijving
1	6-polige aansluitkabel
2	Infraroodleds
3	Microfoon (achterzijde)

6 Aanwijzingen voor de elektrische aansluiting

6.1 Kabels aanleggen



LET OP! Gevaar voor beschadiging!

- Bij het boren van gaten altijd van tevoren controleren of er voldoende ruimte is voor de boor aan de achterkant.
- Het niet-vakkundig aanleggen of verbinden van kabels leidt steeds weer tot storingen of beschadigingen van onderdelen. Het correct aanleggen en verbinden van kabels is een voorwaarde voor een duurzame en storingsvrije werking van de later aangebouwde componenten.
- De kabels mogen niet voor langere tijd met oplosmiddelen zoals bijv. benzine in aanraking komen, omdat oplosmiddelen de kabels beschadigen.

Neem daarom de volgende instructies in acht:

- Gebruik voor de doorvoer van de aansluitkabels indien mogelijk originele doorvoeren of andere doorvoermogelijkheden, zoals bekledingsranden, ventilatieroosters of blinde schakelaars. Indien er geen doorvoeren aanwezig zijn, dient u voor de betreffende kabels bijbehorende gaten te boren. Controleer van tevoren of er voldoende ruimte is voor de boor aan de achterkant.
- Leg de kabels indien mogelijk altijd binnen in het voertuig aan, want daar zijn ze beter beschermd dan aan de buitenkant van het voertuig. Indien u de kabels toch aan de buitenkant van het voertuig aanlegt, let dan op een veilige bevestiging (door extra kabelverbinders, isolatieband e.d.).
- Houd bij het aanleggen van de kabels altijd voldoende afstand tot hete en bewegende voertuigonderdelen (uitlaatpijpen, aandrijfassen, dynamo, ventilatoren, verwarming e.d.), om beschadigingen aan de kabel te voorkomen. Gebruik voor de mechanische bescherming ribbelbuis of soortgelijke beschermingsmaterialen.

- Schroef de steekverbindingen van de verbindingkabels ter bescherming tegen het binnendringen van water vast (afb. **17**, pagina 7).
- Let er bij het leggen van de kabels (afb. **3**, pagina 4) op dat deze
 - niet te sterk worden geknikt of verdraaid,
 - niet langs randen schuren,
 - niet onbeschermd door doorvoeren met scherpe randen worden geleid.
- Bevestig de kabel veilig in het voertuig om verstrikken (gevaar om te vallen) te vermijden. Dit kan gebeuren door kabelbinders, isolatieband of door vastplakken met lijm.
- Bescherm iedere doorvoer aan de buitenkant d.m.v. geschikte maatregelen tegen het binnendringen van water, bijv. door de kabel met afdichtingspasta aan te brengen en door de kabel en de doorvoertule in te spuiten met afdichtingspasta.



INSTRUCTIE

Begin met het afdichten van de doorvoeren pas nadat alle instelwerkzaamheden aan de camera zijn voltooid en de benodigde lengtes van de aansluitkabels vastliggen.

7 Camera monteren

7.1 Benodigd gereedschap

Voor **inbouw en montage** heeft u de volgende gereedschappen nodig:

- set boren (afb. **1** 1, pagina 3)
- boormachine (afb. **1** 2, pagina 3)
- schroevendraaier (afb. **1** 3, pagina 3)
- set ring- of steeksleutels (afb. **1** 4, pagina 3)
- rolmaat (afb. **1** 5, pagina 3)
- hamer (afb. **1** 6, pagina 3)
- center (afb. **1** 7, pagina 3)

Voor de **elektrische aansluiting** en de controle daarvan hebt u de volgende hulpmiddelen nodig:

- diodetestlamp (afb. **1** 8, pagina 3) of voltmeter (afb. **1** 9, pagina 3)
- isolatieband (afb. **1** 11, pagina 3)
- Evt. kabeldoorvoerbuisjes

Voor het **bevestigen van de kabels** zijn evt. nog meer kabelverbinders nodig.

7.2 Camera monteren



VOORZICHTIG!

Kies de plaats van de camera zo en bevestig hem zo vast, dat in geen geval in de buurt staande personen gewond kunnen raken, bijv. omdat over het dak van het voertuig strijkende takken de camera afbreken.



INSTRUCTIE

Als door de aanbouw van de camera de voertuighoogte of voertuiglengte zoals aangegeven in de voertuigpapieren wordt veranderd, moet er een nieuwe inspectie door de betreffende instanties plaatsvinden (in Duitsland: TÜV, DEKRA etc.).

Laat de nieuwe afname door de betreffende dienst voor wegverkeer in de voertuigpapieren zetten.

Neem bij de montage de volgende aanwijzingen in acht:

- Breng de camera voor een goed perspectief op minstens twee meter hoogte aan. Zorg bij de montage voor een voldoende stevige werkplek.
- Let erop dat de montageplaats van de camera stevig genoeg is (er kunnen bijv. takken die tegen het dak komen in de camera verstrikt raken).
- Monteer de camerahouder horizontaal en in het midden aan de achterkant van het voertuig (afb. 10, pagina 6).
- De veiligste manier van bevestigen zijn schroeven die door de opbouw gaan (niet meegeleverd). Neem hierbij de volgende instructies in acht:
 - Achter de gekozen montagepositie moet voldoende vrije ruimte voor de montage voorhanden zijn.
 - Elke doorvoer moet door geschikte maatregelen tegen binnenkomend water beschermd worden (bijv. door het aanbrengen van de schroeven met afdichtingspasta en/of door het inspuiten van de buitenste bevestigingsonderdelen met afdichtingspasta).
 - De opbouw op de bevestigingsplaats moet voldoende stevigheid bieden, zodat de camerahouder voldoende stevig vastgedraaid kan worden.
- Controleer van tevoren, of er voldoende ruimte is voor de boor aan de achterkant (afb. 2, pagina 4).
- Als u niet zeker bent over de door u gekozen montageplaats, neem dan contact op met de fabrikant van de opbouw of een vertegenwoordiger hiervan.



INSTRUCTIE

Om corrosie van de schroeven te minimaliseren wordt aanbevolen de schroefdraad in te vetten.

Ga bij de montage als volgt te werk:

- Houd de camerahouder op de gekozen montageplaats en markeer steeds minstens 2 verschillende boorpunten en de doorbreuk voor de aansluitkabel (afb. **11**, pagina 6).
- Maak op de voordien gemarkeerde punten met hamer en center een gaatje om het verlopen van de boor te verhinderen.

Doorvoer voor de aansluitkabel van de camera maken (afb. **12**, pagina 6)



INSTRUCTIE

Gebruik voor de doorvoer van de aansluitkabels indien mogelijk reeds aanwezige doorvoermogelijkheden, bijv. ventilatioerosters. Als er geen doorvoeren zijn, moet u een gat van $\varnothing 16$ mm boren.



LET OP! Gevaar voor beschadiging!

Controleer van tevoren, of er voldoende ruimte is voor de boor aan de achterkant.

- Boor op de eerder getekende doorvoer een gat van $\varnothing 16$ mm.
- Ontbraam alle boorgaten die in een metalen plaat zijn gemaakt en behandel ze met antiroestmiddel.

Camera met plaatschroeven vastschroeven (afb. **13**, pagina 6)



LET OP! Gevaar voor beschadiging!

De bevestiging met plaatschroeven mag alleen in stalen platen met een minimumdikte van 1,5 mm gebeuren.

- Boor op de eerder gemarkeerde punten telkens een gat van $\varnothing 4$ mm.
- Ontbraam alle boorgaten en behandel ze met antiroestmiddel.
- Breng de camerahouder met de plaatschroeven 5 x 20 mm aan.

Camera monteren



LET OP! Gevaar voor beschadiging!

Gebruik voor de montage van de camera alleen de meegeleverde schroeven. Langere schroeven beschadigen de camera.

- Leid de camerakabel in het voertuig.
- Schuif de camera in de camerahouder.
- Bevestig de camera **los** met de twee schroeven M3 x 6 mm in de lengtegaten (afb. **15**, pagina 6).
- Lijn de camera provisorisch zodanig uit dat het objectief een hoek van ca. 50° met de verticale as van het voertuig vormt (afb. **16**, pagina 7).

Camera elektrisch aansluiten



INSTRUCTIE

- Plaats de camerakabel zodanig, dat u bij een eventueel noodzakelijke uitbouw van de camera makkelijk bij de stekerverbinding tussen camera en verlengkabel kunt komen. De demontage wordt daardoor aanzienlijk vereenvoudigd.
- Om corrosie in de stekker te minimaliseren, adviseren wij om een beetje vet, bijv. poolvet, in een van de stekkers aan te brengen.

- Steek de stekker van de camerakabel in de bus van de verlengkabel.
- Schroef de steekverbinding vast als bescherming tegen het binnendringen van water (afb. **17**, pagina 7).

Camera uitlijnen



INSTRUCTIE

Voor het uitlijnen van de camera moet eventueel eerst nog een monitor monteren en elektrisch aansluiten (zie structureel aansluitschema afb. **18**, pagina 7).

- Richt de camera indien nodig uit aan de hand van het monitorbeeld:
Het monitorbeeld moet aan de onderkant van het beeld de achterkant respectievelijk de bumper van uw voertuig weergeven. Het midden van de bumper moet ook in het midden van het monitorbeeld zijn (afb. **19**, pagina 7).
- Controleer de werking van de camera na aansluiten van een monitor.

Camera bevestigen

- Draai de beide bevestigingsschroeven in de lengtegaten van de monitorhouder vast.
- Steek de zijafdekkingen op (afb. **20**, pagina 8).

8 Camera onderhouden en reinigen



LET OP! Gevaar voor beschadiging!

Voor het reinigen geen scherpe of bijtende middelen gebruiken, omdat dit kan leiden tot schade aan het toestel.

- Reinig de camera af en toe met een zachte, vochtige doek.

9 Garantie

De wettelijke garantieperiode is van toepassing. Als het product defect is, wendt u zich tot het filiaal van de fabrikant in uw land (adressen zie achterkant van de handleiding) of tot uw speciaalzaak.

Voor de afhandeling van de reparatie of garantie dient u het volgende mee op te sturen:

- defecte onderdelen,
- een kopie van de factuur met datum van aankoop,
- reden van de klacht of een beschrijving van de storing.


10 Afvoer

- Laat het verpakkingsmateriaal indien mogelijk recyclen.



Als u het product definitief buiten bedrijf stelt, informeer dan bij het dichtstbijzijnde recyclingcentrum of uw speciaalzaak naar de betreffende afvoervoorschriften.

11 Technische gegevens

	PerfectView CAM45
Artikelnr.:	9600000523
Beeldsensor:	1/4" CCD
Beeldpunten:	ca. 250000 pixels
Videostandaard:	PAL, 1 Vpp
Gevoeligheid:	< 1 lux / 0 lux met infrarood-leds
Gezichtshoek:	ca. 120° diagonaal ca. 80° horizontaal ca. 65° verticaal
Bedrijfsspanning:	11 tot 16 V $\overline{=}$
Verbruik:	1,2 W
Bedrijfstemperatuur:	-20 °C tot +70 °C
Beschermklasse:	IP69k
Trillingsvastheid:	6g
Afmetingen b x h x d (met houder):	78 x 60 x 50 mm
Gewicht:	ca. 0,18 kg
Certificaat:	

Læs denne vejledning omhyggeligt igennem før installation og ibrugtagning, og opbevar den. Giv den til brugeren, hvis du giver produktet videre.

Indholdsfortegnelse

1	Forklaring af symbolerne	86
2	Sikkerheds- og installationshenvisninger	86
3	Leveringsomfang	88
4	Korrekt brug	88
5	Teknisk beskrivelse	89
6	Henvisninger vedr. den elektriske tilslutning	89
7	Montering af kameraet	90
8	Vedligeholdelse og rengøring af kameraet	93
9	Garanti	93
10	Bortskaffelse	93
11	Tekniske data	94

1 Forklaring af symbolerne

**ADVARSEL!**

Sikkerhedshenvisning: Manglende overholdelse kan medføre død eller alvorlig kvæstelse.

**FORSIGTIG!**

Sikkerhedshenvisning: Manglende overholdelse kan medføre kvæstelser.

**VIGTIGT!**

Manglende overholdelse kan medføre materielle skader og begrænse produktets funktion.

**BEMÆRK**

Supplerende informationer om betjening af produktet.

2 Sikkerheds- og installationshenvisninger

Overhold sikkerhedshenvisningerne og pålæggene, der er foreskrevet af køretøjsproducenten og af automobilbranchen!

Producenten påtager sig intet ansvar for skader i følgende tilfælde:

- Monterings- eller tilslutningsfejl
- Beskadigelser på produktet på grund af mekanisk påvirkning og overspænding
- Ændringer på produktet uden udtrykkelig tilladelse fra producenten
- Anvendelse til andre formål end dem, der er beskrevet i vejledningen

Overhold følgende henvisninger:

- Afbryd på grund af faren for kortslutning altid minuspolen før arbejder på køretøjets el-system. Ved køretøjer med ekstra batteri skal du også afbryde minuspolen på dette batteri.
- Utilstrækkelige ledningsforbindelser kan føre til, at en kortslutning
 - fører til kabelbrand,
 - udløser airbaggen,
 - beskadiger elektroniske styreanordninger,
 - forårsager, at elektriske funktioner svigter (blinklys, bremselys, horn, tænding, lys).
- Anvend kun isolerede kabelsko, stik og fladstikmuffer ved arbejder på følgende ledninger:
 - 30 (indgang på batteri plus direkte)
 - 15 (tilkoblet plus, bag batteri)
 - 31 (tilbageføring fra batteri, stel)
 - 58 (baklygte)

Anvend **ikke** kronemuffer.

- Anvend en krympetang (fig. **1** 10, side 3) til at forbinde kablerne.
- Skru ved tilslutninger til ledning 31 (stel) kablet
 - på en køretøjseget stelskrue ved hjælp af kabelsko og tandskive eller
 - på karosseripladen ved hjælp af kabelsko og pladeskrue.

Sørg for god stelforbindelse!

Når batteriets minuspol afbrydes, mister alle komfortelektronikkens flygtige lagre de gemte data.

- Afhængigt af køretøjets udstyr skal du indstille følgende data igen:
 - Radiokode
 - Køretøjets ur
 - Kontaktur
 - Køretøjets computer
 - Sædeposition

Henvisninger til indstillingen findes i den pågældende betjeningsvejledning.

Overhold følgende henvisninger ved monteringen:

- Fastgør de dele af kameraet, der er monteret i køretøjet, så de under ingen omstændigheder (hård opbremsning, trafikuheld) kan løsne sig og føre til **kvæstelse af dem, der sidder** i køretøjet.
- Fastgør de af systemets dele, der skal monteres skjult under beklædningerne, så de ikke kan løsne sig, beskadige andre dele og ledninger og begrænse køretøjets funktioner (styring, pedaler osv.).
- For at undgå skader, når du borer, skal du sørge for tilstrækkeligt frirum, hvor boret kommer ud (fig. **2**, side 4).
- Fjern grater fra hvert hul, og behandl dem med rustbeskyttelsesmiddel.
- Læs altid sikkerhedshenvisningerne fra køretøjets producent.
Nogle arbejder (f.eks. på fastholdelsessystemer som AIRBAG osv.) må kun foretages af uddannet fagpersonale.

Overhold følgende henvisninger ved arbejde på elektriske dele:

- Anvend kun en diodeprøvelampe (fig. **1** 8, side 3) eller et voltmeter (fig. **1** 9, side 3) til spændingskontrol i elektriske ledninger.
Testlamper (fig. **1** 12, side 3) med et lyselement optager for høj strøm. Derved kan køretøjets elektronik beskadiges.
- Når de elektriske tilslutninger (fig. **3**, side 4) etableres, skal det sikres, at de
 - ikke knækkes eller snoes,
 - ikke skurer mod kanter,
 - ikke trækkes uden beskyttelse mod gennemføringer med skarpe kanter.
- Isolér alle forbindelser og tilslutninger.
- Sørg for at sikre kablerne mod mekanisk belastning ved hjælp af kabelbindere eller isoleringsbånd, f.eks. på eksisterende ledninger.

Kameraet er vandtæt. Kameraets tætninger må dog ikke udsættes for en højtryksrenser (fig. 4, side 4). Overhold derfor følgende henvisninger til omgang med kameraet:

- Personer (inkl. børn), der på grund af deres fysiske, sanse- eller mentale evner eller deres uerfarenhed eller uvidenhed ikke er i stand til at anvende produktet sikkert, bør kun anvende dette produkt under en ansvarlig persons opsyn eller anvisning.
- Åbn ikke kameraet, da det reducerer dets tæthed og funktionsevne (fig. 5, side 4).
- Træk ikke i kablerne, da det reducerer kameraets tæthed og funktionsevne (fig. 6, side 4).
- Kameraet er ikke egnet til anvendelse under vand (fig. 7, side 4).

3 Leveringsomfang

Nr. på fig. 8, side 5	Mængde	Betegnelse	Artikel-nr.
1	1	Kamera	9600000523
2	1	Kameraholder med kabelgennemføringstykke	9600000571
3	2	Sideafdækning	–
4	1	Systemkabel	9102200141
–	1	Fastgørelsesmateriale	–
–	1	Monterings- og betjeningsvejledning	–

4 Korrekt brug

Kameraet CAM45 (art.nr. 9600000523) er først og fremmest beregnet til anvendelse i køretøjer. Det kan anvendes i videosystemer, der anvendes til at iagttage området omkring køretøjet fra førersædet, f.eks. når der rangeres eller parkeres.



ADVARSEL!

Fare for personskader på grund af køretøjet.

Bakkamerasystemer er en støtte, når der bakkes, men de fritager dig **ikke** fra **din pligt til at udvise særlig forsigtighed, når du bakker.**

5 Teknisk beskrivelse

Kameraet med integreret mikrofon er placeret i et aluminiumskabinat og overfører billede og lyd til en monitor via et kabel. Med de infrarøde lysdioder forbedres natindstillingen.

Kameraet sender billedet, som om du ser i bakspejlet.

Kameraet består bl.a. af følgende elementer:

Nr. på fig. 9 , side 5	Betegnelse
1	Tilslutningskabel med 6 ledere
2	Infrarøde lysdioder
3	Mikrofon (bagside)

6 Henvisninger vedr. den elektriske tilslutning

6.1 Trækning af kabler



VIGTIGT! Fare for beskadigelse!

- Hvis du borer huller, skal du forinden kontrollere, om der er tilstrækkeligt frirum, hvor boret kommer ud.
- Kabelføringer og kabelforbindelser, der ikke er korrekte, fører igen og igen til fejlfunktioner ved eller beskadigelser på komponenter. En korrekt kabelføring og kabelforbindelse er grundforudsætningen for, at de monterede komponenter fungerer konstant og fejlfrit.
- Kablerne må ikke komme i berøring med opløsningsmidler, som f.eks. benzin, i længere tid, da opløsningsmidler ville beskadige kablerne.

Overhold derfor følgende henvisninger:

- Anvend originale gennemføringer eller andre gennemføringsmuligheder, f.eks. beklædningskanter, ventilationsgitter eller blindstik, til gennemføringen af tilslutningskablerne. Hvis der ikke findes gennemføringer, skal du bore huller til de pågældende kabler. Kontrollér først, om der er tilstrækkeligt frirum, hvor boret kommer ud.
- Hvis det er muligt, skal kablerne altid trækkes inde i køretøjet. Dér er de bedre beskyttet end uden på køretøjet.
Hvis du alligevel trækker kablerne uden på køretøjet, skal de fastgøres sikkert (med ekstra kabelbindere, isoleringsbånd osv.).
- For at undgå, at kablet beskadiges, skal der altid være tilstrækkelig afstand til dele på køretøjet, der er varme eller bevæger sig (udstødningsrør, drivakslar, dynamo, ventilatorer, varmeapparater osv.). Anvend bølgerør eller lignende beskyttelsesmaterialer til mekanisk beskyttelse.
- Skru forbindelseskablernes stikforbindelser sammen for at beskytte dem mod, at der trænger vand ind (fig. **17**, side 7).

- Når kablerne trækkes, skal det sikres (fig. **3**, side 4), at de
 - ikke knækkes eller snos kraftigt,
 - ikke skurer mod kanter,
 - ikke trækkes uden beskyttelse mod gennemføringer med skarpe kanter.
- Fastgør kablerne sikkert inde i køretøjet for at undgå at hænge fast (fare for at falde). Dette kan foretages ved at anvende kabelbindere, isoleringsbånd eller ved fastklæbning med klæbemiddel.
- Beskyt hver gennemføring i karosseriets yderbeklædning mod indtrængende vand ved hjælp af egnede forholdsregler, f.eks. ved at isætte kablet med tætningsmasse og ved at sprøjte tætningsmasse på kablet og gennemføringsmuffen.

**BEMÆRK**

Begynd først at tætne gennemføringerne, når alle indstillingsarbejder på kameraet er afsluttet, og de nødvendige længder for tilslutningskablerne er bestemt.

7 Montering af kameraet

7.1 Nødvendigt værktøj

Til **installation og montering** har du brug for følgende værktøj:

- Sæt bor (fig. **1** 1, side 3)
- Boremaskine (fig. **1** 2, side 3)
- Skruetrækker (fig. **1** 3, side 3)
- Sæt ring- eller gaffelnøgler (fig. **1** 4, side 3)
- Målestok (fig. **1** 5, side 3)
- Hammer (fig. **1** 6, side 3)
- Kørner (fig. **1** 7, side 3)

Til den **elektriske tilslutning** og kontrollen af den har du brug for følgende hjælpemidler:

- Diodeprøvelampe (fig. **1** 8, side 3) eller voltmeter (fig. **1** 9, side 3)
- Isoleringsbånd (fig. **1** 11, side 3)
- Evt. kabelgennemføringsmuffer

Til **fastgørelse af kablerne** har du evt. brug for yderligere kabelbindere.

7.2 Montering af kameraet



FORSIGTIG!

Vælg pladsen for kameraet, og fastgør det så sikkert, at personer, der står i nærheden, under ingen omstændigheder kan komme til skade, f.eks. på grund af grene, der fejler hen over køretøjets tag og river kameraet ned.



BEMÆRK

Hvis køretøjets højde eller længde, der er noteret i indregistreringspapirerne, ændres, når kameraet monteres, skal den ansvarlige myndighed (TÜV, DEKRA osv.) foretage en ny godkendelse.

Lad den ansvarlige myndighed notere den nye godkendelse i indregistreringspapirerne.

Overhold følgende henvisninger ved monteringen:

- Placér af hensyn til en fornuftig synsvinkel kameraet i mindst to meters højde. Sørg for en tilstrækkelig stabil arbejdsplads ved monteringen.
- Kontrollér, at monteringsstedet for kameraet er tilstrækkeligt stabilt (f.eks. kan grene, der fejler hen over køretøjets tag, blive fanget i kameraet).
- Montér kameraholderen vandret og i midten bag på køretøjet (fig. **10**, side 6).
- Den sikreste fastgørelse er skruer, der går gennem karosseriet (ikke indeholdt i leveringsomfanget). Overhold i den forbindelse følgende henvisninger:
 - Bag den valgte monteringsposition skal der være tilstrækkeligt frirum til monteringen.
 - Hver gennemføring skal beskyttes mod indtrængende vand ved hjælp af egnede forholdsregler (f.eks. ved at isætte skruer med tætningsmasse og/eller ved at sprøjte tætningsmasse på de ydre fastgørelsesdele).
 - Karosseriet på fastgørelsesstedet skal være tilstrækkeligt stabilt, så kameraholderen kan spændes tilstrækkeligt fast.
- Kontrollér først, om der er tilstrækkeligt frirum, hvor boret kommer ud (fig. **2**, side 4).
- Hvis du er i tvivl om monteringsstedet, som du har valgt, skal du kontakte karosseriproducenten eller forhandleren.



BEMÆRK

Smør fedt på gevindene for at begrænse korrosion på skruerne.

Gå frem på følgende måde ved monteringen:

- Hold kameraholderen på det valgte monteringssted, og markér mindst to forskellige borepunkter og gennemføringen til tilslutningskablet (fig. **11**, side 6).
- Sørg for at kørne de tegnede punkter først med hammer og kørner for at undgå, at boret løber skævt.

Etablering af gennemføring til kameraets tilslutningskabel (fig. 12, side 6)**BEMÆRK**

Anvend så vidt muligt eksisterende gennemføringsmuligheder, f.eks. ventilationsgitre, til gennemføring af tilslutningskablerne. Hvis der ikke er gennemføringer til rådighed, skal du bore et hul på \varnothing 16 mm.

**VIGTIGT! Fare for beskadigelse!**

Kontrollér først, om der er tilstrækkeligt frirum, hvor boret kommer ud.

- Bør et hul på \varnothing 16 mm ved gennemføringen, der er markeret forinden.
- Fjern grater fra alle huller, der er boret i pladen, og påfør rustbeskyttelse.

Påskruining af kamera med pladeskruer (fig. 13, side 6)**VIGTIGT! Fare for beskadigelse!**

Fastgørelsen med pladeskruer må kun foretages i stålplader med en minimumtykkelse på 1,5 mm.

- Bør et hul på \varnothing 4 mm ved hver af de tegnede punkter.
- Fjern grater fra alle huller, og påfør rustbeskyttelse.
- Skru kameraholderen på med pladeskruerne 5 x 20 mm.

Montering af kameraet**VIGTIGT! Fare for beskadigelse!**

Anvend kun de vedlagte skruer til at montere kameraet. Længere skruer beskadiger kameraet.

- Træk kamerakablet inde i køretøjet.
- Skub kameraet ind i kameraholderen.
- Fastgør kameraet **løst** i langhullerne med de to skruer M3 x 6 mm (fig. 15, side 6).
- Indstil kameraet provisorisk, så objektivet danner en vinkel på ca. 50° i forhold til køretøjets lodrette akse (fig. 16, side 7).

Elektrisk tilslutning af kameraet**BEMÆRK**

- Træk kamerakablet, så du nemt kan nå stikforbindelsen mellem kamera og forlængerledning, hvis det evt. bliver nødvendigt at afmontere kameraet. Afmonteringen gøres derved betydeligt enklere.
- Smør lidt fedt, f.eks. polfedt, i et af stikkene for at begrænse korrosion i stikket.

- Sæt kamerakablets stik fast i forlængerkablets bøsning.
- Skru stikforbindelsen sammen for at beskytte mod indtrængende vand (fig. 17, side 7).

Indstilling af kameraet



BEMÆRK

For at indstille kameraet skal du evt. først montere endnu en monitor og tilslutte den elektrisk (se principielt tilslutningsskema fig. 18, side 7).

- Indstil kameraet ved hjælp af monitorbilledet:
Monitorbilledet skal på billedets nederste kant vise bagenden eller kofangeren på køretøjet. Midten af kofangeren skal også være midt i monitorbilledet (fig. 19, side 7).
- Kontrollér, at kameraet fungerer, når du har tilsluttet det til en monitor.

Fastgørelse af kameraet

- Spænd de to fastgørelsesskruer fast i monitorholderens langhuller.
- Sæt sideafdækningerne på (fig. 20, side 8).

8 Vedligeholdelse og rengøring af kameraet



VIGTIGT! Fare for beskadigelse!

Anvend ikke skarpe eller hårde midler til rengøring, da det kan beskadige apparatet.

- Rengør af og til kameraet med en blød, fugtig klud.

9 Garanti

Den lovbestemte garantiperiode gælder. Hvis produktet er defekt, skal du kontakte producentens afdeling i dit land (adresser, se vejledningens bagside) eller din forhandler.

Ved reparation eller krav om garanti skal du indsende følgende:

- Defekte komponenter
- En kopi af regningen med købsdato
- En reklameringsgrund eller en fejlbeskrivelse


10 Bortskaffelse

- Bortskaf så vidt muligt emballagen sammen med det tilsvarende genbrugsaffald.



Hvis du tager produktet endegyldigt ud af drift, skal du kontakte det nærmeste recyclingcenter eller din faghandel for at få de pågældende forskrifter om bortskaffelse.

11 Tekniske data

	PerfectView CAM45
Art.nr.:	9600000523
Billedsensor:	1/4" CCD
Billedpunkter:	ca. 250000 pixel
Videostandard:	PAL, 1 Vpp
Følsomhed:	< 1 lux/0 lux med infrarøde lysdioder
Synsvinkel:	ca. 120° diagonal ca. 80° horisontal ca. 65° vertikal
Driftsspænding:	11 til 16 V==
Forbrug:	1,2 W
Driftstemperatur:	-20 °C til +70 °C
Kapslingsklasse:	IP69k
Vibrationsstyrke:	6g
Mål B x H x D (med holder):	78 x 60 x 50 mm
Vægt:	ca. 0,18 kg
Godkendelse:	

Läs igenom anvisningarna noga innan produkten monteras och används. Spara monterings- och bruksanvisningen för senare bruk. Överlämna bruksanvisningen till den nya ägaren vid ev. vidareförsäljning.

Innehållsförteckning

1	Förklaring av symboler	95
2	Säkerhets- och monteringsanvisningar	96
3	Leveransomfattning	98
4	Ändamålsenlig användning	98
5	Teknisk beskrivning	98
6	Anvisningar om elektrisk anslutning	99
7	Montera kameran	100
8	Skötsel och rengöring av kameran	103
9	Garanti	103
10	Avfallshantering	103
11	Tekniska data	104

1 Förklaring av symboler



VARNING!

Observera: Beaktas anvisningen ej kan det leda till dödsfara eller svåra skador.



AKTA!

Observera: Beaktas anvisningen ej kan det leda till kroppsskador.



OBSERVERA!

Om anvisningarna inte beaktas kan det leda till materialskador och produktens funktion kan påverkas negativt.



ANVISNING

Kompletterande information om användning av produkten.

2 Säkerhets- och monteringsanvisningar

Beakta säkerhetsanvisningarna och riktlinjerna från fordonstillverkaren samt reglerna för bilmekaniska arbeten!

Tillverkaren övertar inget ansvar för skador i följande fall:

- monterings- eller anslutningsfel
- skador på produkten, orsakade av mekanisk påverkan eller överspänning
- ändringar som utförts utan uttryckligt medgivande från tillverkaren
- ej ändamålsenlig användning

Beakta följande:

- Koppla alltid bortnuspolen i fordonets elsystem innan några arbeten utförs; annars finns risk för kortslutning.
Om fordonet har ett extra batteri måste minuspolen kopplas bort även på detta.
- Ej korrekt utförda anslutningar kan leda till kortslutning, som
 - kan förorsaka kabelbrand
 - kan utlösa krockkudden
 - kan skada den elektroniska styrutrustningen
 - kan leda till att elektriska komponenter slutar fungera (blinkers, bromsljus, signalhorn, tändning, lyse).
- Använd endast isolerade kabelskor, stickkontakter och flathylsor vid arbeten på nedanstående ledningar:
 - 30 (ingång från batteri plus direkt)
 - 15 (tändningsplus, efter batteriet)
 - 31 (ledning från batteriet, jord)
 - 58 (backljus).

Använd **inte** anslutningsplintar.

- Använd en crimptång (bild **1** 10, sida 3) för att förbinda kablarna.
- Vid anslutningar till kabel 31 (jord), skruva fast
 - kabeln på en jordskruv i fordonet med kabelsko och tandbricka eller
 - på karosseriplåten med kabelsko och plåtskruv.

Se till att jordledningen har god kontakt!

När batteriets minuspol kopplas bort försvinner alla data ur komfortelektronikens flyktiga minnen.

- Beroende på fordonsutrustning måste följande data ställas in på nytt:
 - radiokod
 - klocka
 - tidur (timer)
 - fordonsdator
 - sätesposition

Inställningarna beskrivs i respektive bruksanvisning.

Beakta följande anvisningar vid monteringen:

- Fäst de delar till kameran som monteras inne i fordonet så att de inte kan lossna och **skada personerna i fordonet** (t.ex. vid kraftiga inbromsningar, trafikolyckor).
- Fäst de delar av systemet som monteras under täckplattor el. dyl. på så sätt att de inte kan lossna, eller skada andra delar och ledningar resp. störa några fordonsfunktioner (styrning, pedaler o.s.v.).
- Se till att det finns tillräckligt mycket plats för borrhålen så att inga delar skadas av misstag (bild **2**, sida 4).
- Grada av borrhålen och behandla hålen med rostskyddsmedel.
- Beakta fordonstillverkarens säkerhetsanvisningar.
Vissa arbeten (t.ex. på säkerhetsutrustningen, som AIRBAG o.s.v.) får endast utföras av behörig fackpersonal.

Beakta följande anvisningar vid arbeten på elsystemet:

- Använd endast en diod-testlampa (se bild **1** 8, sida 3) eller en voltmeter (se bild **1** 9, sida 3) för att testa spänningen i elledningar.
Testlampor (bild **1** 12, sida 3) med andra ljuskällor förbrukar för mycket ström och kan på så sätt skada fordonselektroniken.
- Se till när elledningar (bild **3**, sida 4) dras att
 - de inte böjs till eller vrids
 - de inte skaver mot kanter
 - skydd används om de dras genom genomföringar med vassa kanter.
- Isolera alla kopplingar och anslutningar.
- Skydda kablarna mot mekanisk belastning genom kabelband eller isoleringsband, t.ex. på befintliga ledningar.

Kameran är vattentät. Kamerans tätningar tål dock inte en högtryckstvätt (bild **4**, sida 4). Beakta därför alltid nedanstående:

- Personer (och barn), som på grund av fysiska, sensoriska eller mentala funktionshinder eller på grund av oerfarenhet eller ovetande inte kan använda produkten på ett säkert sätt, bör inte använda denna produkt utan uppsikt eller hjälp av en ansvarig person.
- Öppna inte kameran, det kan inverka negativt på kamerans täthet och funktion (bild **5**, sida 4).
- Dra inte i kablarna, det kan inverka negativt på kamerans täthet och funktion (bild **6**, sida 4).
- Kameran får inte användas under vatten (bild **7**, sida 4).

3 Leveransomfattning

Nr på bild 8 , sida 5	Mängd	Beteckning	Artikelnr
1	1	Kamera	9600000523
2	1	Kamerafäste med kabelgenomföringshylsa	9600000571
3	2	Sidokåpa	–
4	1	Systemkabel	9102200141
–	1	Fastsättningsmaterial	–
–	1	Monterings- och bruksanvisning	–

4 Ändamålsenlig användning

Kameran CAM45 (art.nr. 9600000523) är framför allt avsedd för användning i fordon. Den kan användas tillsammans med videosystem för övervakning av området runt om fordonet, t.ex. vid parkering. Övervakningen sker direkt från förarstolen.



WARNING!

Risk för fordonsrelaterade personskador.

Backvideosystem är till för att underlätta backningen, d.v.s. föraren måste **alltid** iakttä **största försiktighet under backningen**.

5 Teknisk beskrivning

Kameran med inbyggd mikrofon har ett aluminiumhölje och överför bild och ljud till en monitor via en kabel. IR-lysdioderna gör det lättare att se i mörker.

Kameran visar bilden på samma sätt som det skulle se ut i backspeglern.

Kameran består bland annat av följande delar:

Nr på bild 9 , sida 5	Beteckning
1	6-polig anslutningskabel
2	IR-lysdioder
3	Mikrofon (baksida)

6 Anvisningar om elektrisk anslutning

6.1 Kabeldragning



OBSERVERA! Risk för skador!

- När du borrar hål, kontrollera först att det finns tillräckligt mycket plats för borrarpsen.
- Felaktig kabeldragning och kabelanslutning leder ofta till felaktiga funktioner eller skador på komponenterna. Korrekt kabeldragning och anslutning krävs för att komponenterna ska fungera felfritt under en lång tid.
- Kablarna får inte komma i kontakt med lösningsmedel, t.ex. bensin, under längre tid; lösningsmedel kan skada kablarna.

Beakta därför följande anvisningar:

- Använd om möjligt originalgenomföringar eller andra genomföringar som t.ex. fogar, ventilationsgaller eller oanvända anslutningar för anslutningskablarna. Om det inte finns lämpliga genomföringar måste man borra hål för kablarna. Kontrollera först att det finns tillräckligt mycket plats för borrarpsen.
- Dra om möjligt alltid kablarna inne i fordonet, där de är bättre skyddade än på utsidan. Om kablarna dras på utsidan: Se till att de sätts fast ordentligt (med extra kabelband, isoleringsband etc).
- Dra inte kablarna tätt intill heta och/eller rörliga delar (avgasrör, drivaxlar, generator, fläkt, värmeaggregat etc.); kablarna kan skadas. Använd korrugerade rör eller liknande skydds-material som mekaniskt skydd.
- Skruva fast anslutningskablarnas kontakter för att skydda dem mot inträngande vatten (bild **17**, sida 7).
- Observera, när kablarna (bild **3**, sida 4) dras, att
 - de inte böjs eller vrids för mycket
 - de inte skaver mot kanter
 - skydd används om de dras genom genomföringar med vassa kanter.
- Fäst kablarna säkert i fordonet så att man inte kan fastna i dem. Använd t.ex. kabelband, isoleringsband eller lim.
- Skydda borrhål i karosseriet så att det inte kan komma in vatten, t.ex. genom att sätta in kabeln med tätningsmassa och spruta tätningsmassa på kabeln och genomföringen.



ANVISNING

Täta genomföringarna först när kameran har justerats och ställts in och anslutningskablarnas längd har bestämts.

7 Montera kameran

7.1 Verktyg

För **monteringen** krävs följande verktyg:

- Borrssats (bild **1** 1, sida 3)
- Borrmaskin (bild **1** 2, sida 3)
- Skruvmejsel (bild **1** 3, sida 3)
- En sats ringnycklar eller U-nycklar (bild **1** 4, sida 3)
- Måttsticka (bild **1** 5, sida 3)
- Hammare (bild **1** 6, sida 3)
- Körnare (bild **1** 7, sida 3)

För **elanslutningen** och kontrollen krävs följande hjälpmedel:

- Diod-testlampa (bild **1** 8, sida 3) eller voltmeter (bild **1** 9, sida 3)
- Isoleringsband (bild **1** 11, sida 3)
- Ev. kabelgenomföringshylsor

För **fastsättning av kablarna** krävs ev. ytterligare kabelband.

7.2 Montera kameran



AKTA!

Montera kameran på ett ställe där den inte kan utgöra någon fara för personer som vistas i närheten av fordonet, t.ex. om trädgrenar skulle vidröra biltaket och slita loss kameran.



ANVISNING

Om fordonets höjd eller längd inte längre stämmer överens med uppgifterna i fordonshandlingarna när kameran har monterats, måste en ny besiktning göras (kontakta Svensk Bilprovning).

Låt ansvarigt ställe skriva in de nya uppgifterna i fordonshandlingarna.

Beakta följande anvisningar vid monteringen:

- För en tillräckligt god synvinkel ska kameran monteras på minst två meters höjd. Vid montering av kameran: se till att arbetsplatsen är stabil och säker.
- Se till att kameran monteras stabilt (trädgrenar kan t.ex. fastna i kameran).
- Montera kamerafästet vågrätt och på mitten baktill på fordonet (bild **10**, sida 6).

- Det är säkrast att fästa kameran med skruvar som förs genom påbyggnaden (ingår inte i leveransomfattningen). Beakta följande anvisningar:
 - Kontrollera först att det finns tillräckligt mycket plats för monteringen bakom/under monteringsplatsen.
 - Tänk på att borrhålen/öppningarna ska skyddas mot vattenläckage (t.ex. genom att sätta in skruvarna med tätningsmassa och/eller spruta tätningsmassa på de utvändiga monteringspunkterna).
 - Se till att monteringspunkten är stabil så att kamerafästet kan fästas ordentligt.
- Kontrollera att det finns tillräckligt med plats för borrspetsen (bild **2**, sida 4).
- Fråga tillverkaren (eller auktoriserad återförsäljare) i tveksamma fall.

**ANVISNING**

Smörj in gängorna med fett för att minimera rostrisken på skruvarna.

Montering, tillvägagångssätt:

- Håll kamerafästet på valt ställe och markera sedan minst två borrhåll och genomföringen för anslutningskabeln (bild **11**, sida 6).
- Slå först ett hål i metallen med hammare och körnare, så att borren inte slinter.

Öppning för kamerans anslutningskabel (bild **12, sida 6)****ANVISNING**

Använd om möjligt genomföringar som redan finns på plåten, som t.ex. ventilationsgaller. Om det inte finns lämpliga genomföringar: borra ett \varnothing 16 mm-hål.

**OBSERVERA! Risk för skador!**

Kontrollera att det finns tillräckligt mycket plats för borrspetsen.

- Borra ett \varnothing 16 mm-hål vid genomföringen som märkts ut.
- Slipa graderna i borrhålen som har borrats i plåten och behandla hålen med rostskyddsmedel.

Skruva dit kameran med plåtskruvar (bild **13, sida 6)****OBSERVERA! Risk för skador!**

Plåtskruvarna får endast användas för stålplåt med en tjocklek på minst 1,5 mm.

- Borra \varnothing 4 mm-hål på de markerade punkterna.
- Slipa graderna i borrhålen och behandla hålen med rostskyddsmedel.
- Skruva fast kamerafästet med plåtskruvarna 5 x 20 mm.

Montera kameran



OBSERVERA! Risk för skador!

Använd endast de medföljande skruvarna för att montera kameran. Längre skruvar skadar kameran.

- Dra in kamerakabeln i fordonet.
- Skjut in kameran i kamerafästet.
- Fäst kameran **löst** med de två skruvarna M3 x 6 mm i de långa hålen (bild **15**, sida 6).
- Rikta in kameran provisoriskt så att objektivet sitter i ca 50° vinkel mot fordonets lodrätta axel (bild **16**, sida 7).

Ansluta el till kameran



ANVISNING

- Dra kamerakabeln så att det blir lätt att komma åt kontakten kamera/förlängningskabel vid ev. demontering av kameran. Detta underlättar demonteringen.
- Som rostskydd för kontaktarna rekommenderar vi att lite fett, t.ex. polfett, används i en av stickkontaktarna.

- Anslut kamerakabelns stickkontakt till uttaget på förlängningskabeln.
- Skruva fast stickkontakten för att skydda mot inträngande vatten (bild **17**, sida 7).

Rikta kameran



ANVISNING

För att kunna rikta kameran måste eventuellt först en monitor monteras och anslutas (se principkopplingsschemat bild **18**, sida 7).

- Rikta kameran med hjälp av monitorbilden:
Nedtill på monitorbilden bör nu fordonets bakparti resp. stötfångare synas. Stötfångarens mitt ska också vara i bildens mitt (bild **19**, sida 7).
- Kontrollera kamerans funktion när den har anslutits till en monitor.

Fästa kameran

- Dra åt de två fästskruvarna i de ovala hålen till det övre monitorfästet.
- Sätt dit sidokåporna (bild **20**, sida 8).

8 Skötsel och rengöring av kameran



OBSERVERA! Risk för skador!

Använd inte några vassa eller hårda rengöringsverktyg till rengöring eftersom produkten kan skadas.

- Rengör kameran då och då med en mjuk, fuktig trasa.

9 Garanti

Den lagstadgade garantitiden gäller. Om produkten är defekt: kontakta tillverkarens kontor i ditt land (adresser, se bruksanvisningens baksida) eller återförsäljaren.

Vid reparations- resp. garantiärenden ska följande skickas med:

- defekta komponenter,
- en kopia på fakturan med inköpsdatum,
- en reklambeskrivning/felbeskrivning.


10 Avfallshantering

- Lämna om möjligt förpackningsmaterialet till återvinning.



När produkten slutgiltigt tas ur bruk: informera dig om gällande bestämmelser hos närmaste återvinningscentral eller hos återförsäljaren.

11 Tekniska data

	PerfectView CAM45
Artikelnr:	9600000523
Bildsensor:	1/4" CCD
Bildpunkter:	ca 250000 pixlar
Videostandard:	PAL, 1 Vpp
Känslighet:	< 1 lux/0 lux med IR-lysdioder
Synvinkel:	ca 120° diagonalt ca 80° horisontellt ca 65° vertikalt
Driftspänning:	11 till 16 V==
Förbrukning:	1,2 W
Drifttemperatur:	-20 °C till +70 °C
Skyddsklass:	IP69k
Vibrationstålighet:	6g
Mått B x H x D (med fäste):	78 x 60 x 50 mm
Vikt:	ca 0,18 kg
Godkännande:	

Les bruksanvisningen nøye før du monterer og tar apparatet i bruk, og ta vare på den. Hvis produktet selges videre, må du sørge for å gi bruksanvisningen videre også.

Innholdsfortegnelse

1	Symbolforklaring	105
2	Råd om sikkerhet og montering	106
3	Leveringsomfang	108
4	Tiltenkt bruk	108
5	Teknisk beskrivelse	108
6	Tips om elektriske tilkoblinger	109
7	Montering av kameraet	110
8	Vedlikehold og rengjøring av kameraet	113
9	Garanti	113
10	Avfallshåndtering	113
11	Tekniske spesifikasjoner	114

1 Symbolforklaring



ADVARSEL!

Sikkerhetsregel: Hvis man ikke overholder denne regelen, kan det føre til død eller alvorlig skade.



FORSIKTIG!

Sikkerhetsregel: Hvis man ikke overholder denne regelen, kan det føre til personskader.



PASS PÅ!

Hvis man ikke overholder denne regelen, kan det føre til materielle skader og skade funksjonen til produktet.



MERK

Utfyllende informasjon om bruk av produktet.

2 Råd om sikkerhet og montering

Følg rådene og betingelsene som kjøretøyprodusenten og motorvognprodusenten har bestemt!

Produsenten tar i følgende tilfeller intet ansvar for skader:

- Montasje- eller tilkoblingsfeil
- Skader på produktet på grunn av mekanisk påvirkning og overspenninger
- Endringer på produktet uten at det er gitt uttrykkelig godkjenning av produsenten
- Bruk til andre formål enn det som er beskrevet i veiledningen

Følg disse rådene:

- På grunn av kortslutningsfaren må man alltid koble fra minuspolen før man utfører arbeid på kjøretøyets elektronikk.
På kjøretøy med hjelpebatteri må man også koble fra minuspolen på dette.
- Feil på ledningsforbindelser kan føre til at det på grunn av kortslutning oppstår
 - kabelbrann,
 - at kollisjonsputen utløses,
 - at de elektroniske styreanordningene blir skadet,
 - at elektriske funksjoner faller ut (blinklys, bremselys, horn, tenning, lys).
- Bruk bare isolerte kabelsko, kontakter og flatstifthylser ved arbeide på de følgende kablene:
 - 30 (inngang fra batteriets pluss direkte),
 - 15 (koblet pluss, bak batteri),
 - 31 (tilbakeleder fra batteri, jord),
 - 58 (ryggelys).

Ikke bruk kabelklemmer.

- Bruk en krympetang (fig. **1** 10, side 3) for å forbinde kabelen.
- Skru fast kabelen ved tilkobling til ledning 31 (jord)
 - med kabelsko og låseskive til kjøretøyets jordkobling eller
 - med kabelsko og plateskrue til karosseriet.

Pass på at du har god jordforbindelse!

Ved frakobling av batterienes minuspol mister alle flyktige minner i komfortelektronikken de lagrede dataene.

- Følgende data må stilles inn på nytt, avhengig av kjøretøyets utrustning:
 - Radiokode
 - Kjøretøyur
 - Tidsur
 - Kjørecomputer
 - Sitteposisjon

Råd vedrørende innstilling finner du i relevant bruksanvisning.

Vær oppmerksom på følgende ved montering:

- Fest kameradelene som er montert i kjøretøyet, slik at de ikke under noen omstendighet (bråbremsing, trafikkuhell) løsner og **skader passasjerene**.
- Fest tilhørende deler skjult under paneler, slik at de ikke kan løsne eller skade andre deler og ledninger, og slik at de ikke påvirker kjøretøyets funksjon (styring, pedaler osv.).
- Pass på at det finnes tilstrekkelig frirområde for utgangen av boret, for å unngå skader (fig. **2**, side 4).
- Fjern gradene på alle hull som bores, og behandle hullene med rustbeskyttelsesmiddel.
- Følg alltid sikkerhetsrådene fra kjøretøyprodusenten.
Enkelte arbeider får bare utføres av utdannet fagpersonale (for eksempel på fastholdende systemer som AIRBAG osv.).

Vær oppmerksom på følgende ved arbeid på elektriske deler:

- Bruk kun en diodetestlampe ved testing av spenningen i de elektriske ledningene (fig. **1** 8, side 3) eller et voltmeter (fig. **1** 9, side 3).
Testlamper med andre lyskilder (fig. **1** 12, side 3) forbruker for mye strøm, noe som kan skade kjøretøyets elektronikk.
- Ved legging av elektriske tilkoblinger (fig. **3**, side 4) må du påse at de
 - ikke blir knekt eller deformert,
 - ikke gnis mot kanter,
 - ikke legges uten beskyttelse gjennom gjennomføringer som har skarpe kanter.
- Isoler alle forbindelser og tilkoblinger.
- Sikre kablen mot mekanisk belastning med kabelinnføringer eller isolasjonsbånd, f.eks. på eksisterende ledninger.

Kameraet er vanntett. Tetningene i kameraet motstår ikke en høytrykkspumpe (fig. **4**, side 4). Vær derfor oppmerksom på følgende ved håndtering av kameraet:

- Personer (inklusive barn) som på grunn av sine fysiske, sensoriske eller mentale ferdigheter eller på grunn av sin uerfarenhet eller manglende kjennskap ikke er i stand til å bruke produktet på en sikker måte, må ikke bruke dette produktet uten oppsyn eller anvisning fra en ansvarlig person.
- Åpne ikke kameraet, da dette skader tettheten og funksjonsdyktigheten (fig. **5**, side 4).
- Trekk ikke i kablene, da dette skader tettheten og funksjonsdyktigheten for kameraet (fig. **6**, side 4).
- Kameraet er ikke egnet for drift under vann (fig. **7**, side 4).

3 Leveringsomfang

Nr. i fig. 8, side 5	Antall	Betegnelse	Artikkelnr.
1	1	Kamera	9600000523
2	1	Kameraholder med kabelgjennomføringsnippe	9600000571
3	2	Sidedeksel	–
4	1	Systemkabel	9102200141
–	1	Festemateriell	–
–	1	Monterings- og bruksanvisning	–

4 Tiltent bruk

Kameraet CAM45 (art.nr. 9600000523) er først og fremst beregnet for bruk i kjøretøy. De kan brukes i videosystemer som brukes til å observere området rundt kjøretøyet fra førersetet, f.eks. ved krypekjøring eller parkering.



ADVARSEL!

Fare for personskader på grunn av kjøretøyet.

Videosystemer for rygging tilbyr en støtte når man rygger, det fritar deg likevel **ikke** fra **den spesielle varsomhetsplikten ved rygging**.

5 Teknisk beskrivelse

Kameraet med integrert mikrofon er plassert i en aluminiumskapsling og overfører bilde og lyd til en skjerm via en kabel. De infrarøde lysdiodene forbedrer nattsikten.

Kameraet overfører bildet som om du skulle kikke i sladrespeilet.

Kameraet består bl.a. av følgende deler:

Nr. i fig. 9, side 5	Betegnelse
1	6-polet tilkoblingskabel
2	Infrarøde lysdioder
3	Mikrofon (bakside)

6 Tips om elektriske tilkoblinger

6.1 Legging av kabel



PASS PÅ! Fare for skade!

- Kontroller på forhånd om det er nok plass til at boret kan komme ut, når du borer hull.
- Kabellegging og kabelforbindelser som ikke er utført fagmessig, fører ofte til feilfunksjoner eller skader på komponenter. Korrekt kabellegging hhv. kabelforbindelse er den viktigste forutsetningen for varig og feilfri funksjon til ettermonterte komponenter.
- Kabelen må ikke komme i kontakt med løsningsmidler som for eksempel bensin over lengre tid, da løsningsmiddelet kan skade kabelen.

Følg derfor disse rådene:

- For å føre gjennom tilkoblingskabelen bruker du originalgjennomføringer eller andre gjennomføringsmuligheter, som f.eks. panelkanter, luftegitter eller blindbryter. Hvis det ikke finnes noen gjennomføringer tilgjengelig, må du bore hull for de aktuelle kablene. Se etter på forhånd om det er nok plass til at boret kan komme ut.
- Legg alltid kabelen inne i kjøretøyet hvis det er mulig, der er de bedre beskyttet enn utenpå kjøretøyet.
Hvis du likevel legger kablene utenpå kjøretøyet, må du sørge for at de festes sikkert (med ekstra kabelskjøtestykker, isolasjonsbånd osv.).
- Ved legging av kabel må du alltid holde tilstrekkelig avstand til varme og bevegelige deler på kjøretøyet (eksosrør, drivakslinger, dynamoer, vifter, oppvarming osv.) for å unngå skader på kabelen. Til mekanisk beskyttelse brukes bølgerør eller lignende beskyttelsesmaterialer.
- Skru fast kontaktforbindelsen til forbindelseskabelen for å hindre vanninntrenging (fig. **17**, side 7).
- Ved legging av kablene (fig. **3**, side 4) må du passe på at disse
 - Ikke blir knekt eller deformert
 - Ikke gnis mot kanter
 - ikke legges uten beskyttelse gjennom gjennomføringer som har skarpe kanter.
- Fest kabelen skikkelig i kjøretøyet for å unngå at noe hektes fast (fare for fall) i den. Dette kan gjøres ved å bruke kabelstrips, isoleringstape eller fastliming.
- Beskytt alle gjennomføringer i det ytre karosseriet mot inntrenging av vann, f.eks. ved å sprøyte kabelen og gjennomføringsnippelen med tetningsmasse.



MERK

Begynn å tette igjen gjennomføringene først når alt innstillingsarbeid på kameraet er avsluttet og når de nødvendige lengdene til tilkoblingskablene foreligger.

7 Montering av kameraet

7.1 Nødvendig verktøy

Til **montering** trenger du følgende verktøy:

- Borsett (fig. **1** 1, side 3)
- Bormaskin (fig. **1** 2, side 3)
- Skrutrekker (fig. **1** 3, side 3)
- Ring- og fastnøkkelsett (fig. **1** 4, side 3)
- Målestav (fig. **1** 5, side 3)
- Hammer (fig. **1** 6, side 3)
- Kjørner (fig. **1** 7, side 3)

Til **elektrisk tilkobling** og kontroll av denne trenger du følgende hjelpemidler:

- Diode-testlampe (fig. **1** 8, side 3) eller voltmeter (fig. **1** 9, side 3)
- Isolasjonsbånd (fig. **1** 11, side 3)
- Evt. kabelgjennomføringsnipler

For å **feste kabelen** trenger du ev. flere kabelfester.

7.2 Montere kameraet



FORSIKTIG!

Velg en plassering for kameraet og fest det så sikkert, at det under ingen omstendigheter kan komme til å skade personer som står i nærheten, for eksempel fordi grener som stryker over biltaket river av kameraet.



MERK

Hvis man ved montering av kameraet endrer kjøretøyhøyden eller kjøretøylengden som står i vognkortet, trenger man ny godkjenning fra relevante godkjenningsinstanser (TÜV, DEKRA osv.).

Sørg for at den nye godkjenningen føres inn i vognkortet av vedkommende veimyndighet.

Vær oppmerksom på følgende ved montering:

- Plasser kameraet i en hensiktsmessig synsvinkel minst 2 m oppe.
Ved montasjen må du passe på at montasjestedet er tilstrekkelig stabilt.
- Pass på, at monteringsstedet for kameraet tillater tilstrekkelig holbar innfesting (for eksempel kan grener som stryker over biltaket hekte seg fast i kameraet).
- Monter kameraholderen vannrett og midt i bakenden på kjøretøyet (fig. **10**, side 6).

- Den sikreste måten å feste på er med gjennomgående skruer (ikk en del av leveringsomfanget). Følg disse rådene:
 - Bak det valgte montasjestedet må det være nok plass for montasjen.
 - Hver gjennomhulling må beskyttes mot inntrengning av vann ved hjelp av egnede tiltak (for eksempel ved bruk av skruer med tetningsmasse og/ eller påføring av tetningsmasse på de ytre delene).
 - Oppbygningen av innfestingsområdet må kunne tilby tilstrekkelig holdbarhet, slik at kameraholderen lar seg feste godt nok.
- Se etter på forhånd om det er nok plass til at boret kan komme ut. (fig. 2, side 4).
- Hvis du er usikker på montasjestedet du har valgt, må du forhøre deg hos produsenten eller dennes representant.

**MERK**

For å redusere korrosjonen av skruene til et minimum, anbefaler vi å sette inn gjengene med fett.

Ved montering går du fram på følgende måte:

- Hold kameraholderen opp mot det valgte monteringsstedet og marker minst to forskjellige borepunkter og gjennomføringen for tilkoblingskabelen (fig. 11, side 6).
- Kjørn med hammer og kjørner på punktene som er merket på forhånd, for å hindre at boret løper løpsk.

Gjennomføring av tilkoblingskabel for kameraet (fig. 12, side 6)**MERK**

Bruk eksisterende gjennomføringsmuligheter for tilkoblingskabelen hvis mulig, for eksempel et ventilasjonsgitter. Dersom ingen eksisterende åpninger finnes, må de bore et Ø 16 mm hull.

**PASS PÅ! Fare for skade!**

Kontroller på forhånd om det er nok plass til at boret kan komme ut.

- Bor et Ø 16 mm hull i gjennomføringen som er merket på forhånd.
- Fjern gradene på alle borehull som er laget i platen og behandle disse med rustbeskyttelse.

Skrue fast kamera med selvgjengende skruer (fig. 13, side 6)**PASS PÅ! Fare for skade!**

Feste med plateskruer må kun gjøres i stålplater med en minimum tykkelse på 1,5 mm.

- Bor Ø 4 mm hull i punktene som er merket på forhånd.
- Fjern gradene på alle borehull og behandle disse med rustbeskyttelse.
- Skru fast kameraet med 5 x 20 mm plateskruer.

Montere kameraet



PASS PÅ! Fare for skade!

For å montere kameraet bruker du kun skruene som følger med. Lengre skruer skader kameraet.

- Legg kamerakabelen inni kjøretøyet.
- Skyv kameraet inn i kameraholderen.
- Fest kameraet **løst** med de to M3 x 6 mm skruene i de avlange hullene (fig. **15**, side 6).
- Rett inn kameraet provisorisk slik at objektivet danner en vinkel på ca. 50° på den loddretteaksen av kjøretøyet (fig. **16**, side 7).

Koble til kameraet elektrisk



MERK

- Legg kamerakabelen slik at det ved en evt. nødvendig demontering av kameraet er lett å komme til pluggforbindelsen mellom kamera og forlengelseskabel. På denne måten blir demonteringen betydelig enklere.
- For å minimere korrosjon i kontakten, smør inn litt fett, for eksempel polfett, inn i kontakten.

- Sett kamerakabelens plugg inn i kontakten for forlengelseskabelen.
- Skru fast kontaktforbindelsen for beskyttelse mot inntrengning av vann (fig. **17**, side 7).

Innrette kameraet



MERK

For å innrette kameraet må du ev. først montere enda en monitor og koble den til elektrisk (se prinsippeskjema fig. **18**, side 7).

- Rett inn kameraet ved hjelp av monitorbildet:
Monitorbildet skal vise bakdelen eller bakre støtfanger på ditt kjøretøy. Midten av støtfangeren skal også være midt i monitorbildet.(fig. **19**, side 7).
- Test funksjonen til kameraet etter at du har koblet det til en monitor.

Feste kamera

- Trekk til begge festeskruene i de avlange hullene på monitorholderen.
- Sett på sidedekslene (fig. **20**, side 8).

8 Vedlikehold og rengjøring av kameraet



PASS PÅ! Fare for skade!

Bruk ikke skarpe eller harde hjelpemidler til rengjøring, da det kan skade apparatet.

- Rengjør kameraet av og til med en fuktig klut.

9 Garanti

Lovmessig garantitid gjelder. Hvis produktet skulle være defekt, kontakter du produsentens filial i ditt land (du finner adressene på baksiden av veiledningen) eller til din faghandler.

Ved henvendelser vedrørende reparasjon eller garanti, må du sende med følgende:

- defekt komponenter,
- kopi av kvitteringen med kjøpsdato,
- årsak til reklamasjonen eller beskrivelse av feilen.


10 Avfallshåndtering

- Lever emballasje til resirkulering så langt det er mulig.



Når du tar produktet ut av drift for siste gang, må du sørge for å få informasjon om deponeringsforskrifter hos nærmeste resirkuleringsstasjon eller hos din faghandler.

11 Tekniske spesifikasjoner

	PerfectView CAM45
Art.nr.:	9600000523
Bildesensor:	1/4" CCD
Bildepunkter:	ca. 250000 piksler
Videostandard:	PAL, 1 Vpp
Følsomhet:	< 1 Lux / 0 Lux med infrarøde LED-er
Synsvinkel:	ca. 120° diagonalt ca. 80° horisontalt ca. 65° vertikalt
Driftsspennning:	11 – 16 V $\overline{=}$
Forbruk:	1,2 W
Driftstemperatur:	-20 °C til +70 °C
Kapslingsgrad:	IP69k
Vibrasjonsfasthet:	6g
Mål B x H x D (med holder):	78 x 60 x 50 mm
Vekt:	ca. 0,18 kg
Godkjenning:	

**Lue tämä ohje huolellisesti läpi ennen asennusta ja käyttöönottoa ja säilytä ohje hyvin.
Jos myyt tuotteen eteenpäin, anna ohje tällöin edelleen uudelle käyttäjälle.**

Sisällysluettelo

1	Symbolien selitykset	116
2	Turvallisuus- ja kiinnitysohjeita	116
3	Toimituskokonaisuus	118
4	Käyttötarkoitus	118
5	Tekninen kuvaus	119
6	Sähköliitintää koskevia ohjeita	119
7	Kameran asentaminen	120
8	Kameran hoito ja puhdistus	123
9	Tuotevastuu	124
10	Hävittäminen	124
11	Tekniset tiedot	125

1 Symbolien selitykset



VAROITUS!

Turvallisuusohje: Huomiotta jättäminen voi aiheuttaa hengenvaaran tai vakavan loukkaantumisen.



HUOMIO!

Turvallisuusohje: Huomiotta jättäminen voi johtaa loukkaantumiseen.



HUOMAUTUS!

Huomiotta jättäminen voi johtaa materiaalivaurioihin ja haitata tuotteen toimintaa.



OHJE

Tuotteen käyttöä koskevia lisätietoja.

2 Turvallisuus- ja kiinnitysohjeita

Noudata ajoneuvovalmistajan ja autoalan ammattipiirien antamia turvallisuusohjeita ja vaatimuksia!

Valmistaja ei ota mitään vastuuta vahingoista seuraavissa tapauksissa:

- asennus- tai liitännävirheet
- tuotteeseen mekaanisen vaikutuksen tai ylijännitteiden takia syntyneet vauriot
- tuotteeseen ilman valmistajan nimenomaista lupaa tehdyt muutokset
- käyttö muuhun kuin käyttöohjeessa ilmoitettuun tarkoitukseen

Noudata seuraavia ohjeita:

- Irrota akun miinusnapa oikosulkuvaaran takia aina ennen ajoneuvoelektronikkaan liittyvien töiden aloittamista.
Jos ajoneuvossa on lisäakku, myös sen miinusnapa täytyy irrottaa.
- Riittämättömät johtimet voivat aiheuttaa oikosulun, jonka takia
 - syntyy johtopaloja,
 - turvatyyny (airbag) laukeaa,
 - elektroniset ohjauslaitteistot vahingoittuvat,
 - sähköiset toiminnot lakkaavat toimimasta (vilkku, jarruvalo, äänimerkki, sytytys, valot).
- Käytä seuraavia johtimia koskevissa töissä vain eristettyjä kaapelikenkiä, pistokkeita ja abiko-liittimiä:
 - 30 (suora plus akusta),
 - 15 (kytketty plus, akun takana),
 - 31 (akun paluujohdin, maa),
 - 58 (peruutusvalo).

Älä käytä sokeripalaliittimiä.

- Käytä johtojen liittämiseen kuorintapihtejä (kuva **1** 10, sivulla 3).
- Ruuvaa johto liittäessäsi johtimeen 31 (maa)
 - kaapelikengällä ja lukkoprikalla ajoneuvon omaan maadoitusruuviin tai
 - kaapelikengällä ja peltiruuvilla ajoneuvon koripeltiin.

Huolehdi hyvästä maadoituksesta!

Kun akun miinusnapa irrotetaan, kaikista mukavuuselektroniikan sähköisistä muisteista häviää niihin tallennetut tiedot.

- Aseta ajoneuvon varustelusta riippuen seuraavat tiedot uudelleen:
 - radiokoodi
 - ajoneuvokello
 - ajastinkello
 - ajoneuvotietokone
 - istuimen asento

Asetusohjeita löydät kustakin käyttöohjeesta.

Noudata asennuksessa seuraavia ohjeita:

- Kiinnitä kameran ajoneuvoon asennettavat osat siten, että ne eivät missään tapauksessa (äkkijarrutus, liikenneonnettomuus) irtoa ja johda **ajoneuvon matkustajien loukkaantumiseen**.
- Kiinnitä järjestelmän verhousten alle kiinnitettävät osat siten, että ne eivät voi irrota tai vahingoittaa muita osia ja johtimia tai haitata mitään ajoneuvon toimintoja (ohjaus, polkimet jne.).
- Huolehdi poratessasi siitä, että poran terällä on reiän takana riittävästi tilaa, jotta terä ei aiheuta vaurioita (kuva **2**, sivulla 4).
- Pyöristä kaikkien reikien reunat ja käsittele ne ruostesuoja-aineella.
- Noudata aina ajoneuvovalmistajan turvallisuusohjeita. Eräisiin työtehtäviin (esim. törmäyssuojajärjestelmiin kuten turvatyynyihin jne. liittyvät työtehtävät) saa ryhtyä vain tehtävän vaatiman koulutuksen saanut ammattihenkilöstö.

Noudata seuraavia ohjeita sähköisiin osiin liittyvissä töissä:

- Käytä sähköjohdinten jännitteen tarkastamiseen vain diodisähkökynää (kuva **1** 8, sivulla 3) tai volttimittaria (kuva **1** 9, sivulla 3). Loistelampulla varustetut sähkökynät (kuva **1** 12, sivulla 3) kuluttavat liian paljon virtaa, mikä voi johtaa ajoneuvoelektroniikan vahingoittumiseen.
- Huolehdi ennen sähköjohtojen (kuva **3**, sivulla 4) vetämistä siitä, että ne
 - eivät ole taitteella tai kierteellä,
 - eivät hankaa reunoihin,
 - eivät kulje suojaamattomina teräväreunaisista rei'istä.
- Eristä kaikki johtimet ja liitännät.
- Kiinnitä johdot mekaanisen kuormituksen estämiseksi johtokiinnittimillä tai eristysnauhalla, esim. ajoneuvossa jo oleviin johtoihin.

Kamera on vesitiivis. Kameran tiivisteet eivät kuitenkaan kestä puhdistusta korkeapainepesurin avulla (kuva **4**, sivulla 4). Noudata siksi seuraavia kameran käsittelyä koskevia ohjeita:

- Henkilöiden (mukaan lukien lapset), jotka eivät voi käyttää tuotetta turvallisesti fyysisten, sensoristen tai psyykkisten taitojensa takia tai kokemattomuuden tai tietämättömyyden vuoksi, ei tulisi käyttää tuotetta ilman valvontaa tai vastuullisen henkilön opastusta.
- Älä avaa kameraa, sillä tämä heikentää kameran tiiviyyttä ja toimintakykyä (kuva **5**, sivulla 4).
- Älä vedä johdoista, sillä tämä heikentää kameran tiiviyyttä ja toimintakykyä (kuva **6**, sivulla 4).
- Kamera ei sovellu vedenalaiseen käyttöön (kuva **7**, sivulla 4).

3 Toimituskokonaisuus

Nro kuva 8 , sivulla 5	Määrä	Nimitys	Tuotenro
1	1	Kamera	9600000523
2	1	Kameran pidike mukana johdon läpivientiholkki	9600000571
3	2	Sivukate	–
4	1	Järjestelmäjohto	9102200141
–	1	Kiinnitysmateriaali	–
–	1	Asennus- ja käyttöohje	–

4 Käyttötarkoitus

Kamera CAM45 (tuotenro 9600000523) on ajateltu käytettäväksi ensisijaisesti ajoneuvoissa. Sitä voi käyttää videojärjestelmissä, jotka on tarkoitettu ajoneuvon ympäristön tarkkailuun kuljettajan istuimelta, esim. ajoneuvoa käänneltäessä tai pysäköitäessä.



VAROITUS!

Ajoneuvo voi aiheuttaa henkilövahinkoja.

Vaikka peruutusvideojärjestelmät avustavatkin kuljettajaa peruuttamisen yhteydessä, ne **eivät kuitenkaan vapauta kuljettajaa velvollisuudesta noudattaa erityistä varovaisuutta peruuttamisen aikana.**

5 Tekninen kuvaus

Kamera ja yhdysrakenteinen mikrofoni on sijoitettu alumiinikoteloon, ja ne välittävät kuvan ja äänen johtoa pitkin monitoriin. Infrapuna-LEDit parantavat yönäkyvyyttä.

Kamera välittää kuvaa samoin kuin jos katsoisit peruutuspeiliin.

Kamera sisältää muun muassa seuraavat elementit:

Nro kuva 9 , sivulla 5	Nimitys
1	6-napainen liitäntäjohto
2	Infrapuna-LEDit
3	Mikrofoni (taustapuoli)

6 Sähköliitintää koskevia ohjeita

6.1 Johtojen vetäminen



HUOMAUTUS! Vaurioitumisvaara!

- Varmista ennen mahdollisten reikien poraamista, että porausreiän takana on tarpeeksi tyhjää tilaa.
- Epäasianmukaiset johtosijoittelut ja -liitokset johtavat yhä uudelleen virhetoimintoihin ja rakenneosien vaurioitumiseen. Johtojen asianmukainen sijoittaminen ja liittäminen on varusteosien jatkuvan ja virheettömän toiminnan perusedellytys.
- Johdot eivät saa joutua pitkäaikaisesti kosketuksiin liuotinten kuten esim. bensiinin kanssa, sillä liuottimet vahingoittavat johtoja.

Noudata siksi seuraavia ohjeita:

- Pyri käyttämään liitäntäjohtojen asennuksen yhteydessä valmiina olevia läpivientejä tai muita läpivientimahdollisuuksia, kuten esim. verhouksen reunoja, tuuletusrilöitä tai puuttuvien kytkinten peitelevyjä. Jos läpivientipaikkoja ei ole, sinun täytyy porata kyseisiä johtoja vastaavat reiät. Varmista etukäteen, että porattavan reiän taustapuolella on riittävästi tilaa.
- Vedä johdot mahdollisuuksien mukaan aina ajoneuvon sisätiloihin, sillä siellä ne ovat paremmin suojaassa kuin ajoneuvon ulkopuolella. Jos asennat kuitenkin johtoja ajoneuvon ulkopuolelle, huolehdi siitä että ne on kiinnitetty moitteettomasti paikalleen (lisäksi nippusiteillä, eristysnauhalla jne.).
- Johtojen vioittumisen välttämiseksi säilytä johtoja vetäessäsi aina riittävä etäisyys ajoneuvon kuumiin ja liikkuviin osiin (pakoputki, vetoakselit, laturi, tuuletin, lämmitin jne.). Käytä mekaaniseen suojaamiseen aaltoputkea tai vastaavanlaisia suojamateriaaleja.
- Ruuvaa liitäntäjohdon pistokeliitimet kiinni estämään veden tunkeutuminen liitokseen (kuva **17**, sivulla 7).

- Huolehdi ennen johtojen (kuva **3**, sivulla 4) vetämistä siitä, että ne
 - eivät ole voimakkaasti taitteella tai kierteellä,
 - eivät hankaa reunoihin,
 - eivät kulje suojaamattomina teräväreunaisista läpivientirei'istä.
- Kiinnitä johdot turvallisesti ajoneuvoon, jotta niihin ei voi tarttua kiinni (kaatumisvaara). Tähän tarkoitukseen voi käyttää nippusiteitä, eristysnauhaa tai liimaa.
- Suojaa jokainen ulkopintaan tehtävä aukko sopivin keinoin veden tunkeutumiselta, esim. asentamalla johto tiivistysmassan kanssa paikalleen ja ruiskuttamalla sekä johdon että läpivientiholkin päälle tiivistysmassaa.



OHJE

Aloita läpivientien tiivistäminen vasta sitten, kun kaikki kameraa koskevat säätötyöt on tehty loppuun ja liitäntäjohtojen tarvittavat pituudet ovat selvillä.

7 Kameran asentaminen

7.1 Tarvittavat työkalut

Kiinnittämiseen ja asentamiseen tarvitset seuraavia työkaluja:

- Poranteräsarja (kuva **1** 1, sivulla 3)
- Porakone (kuva **1** 2, sivulla 3)
- Ruuvimeisseli (kuva **1** 3, sivulla 3)
- Lenkki- tai kiintoavainsarja (kuva **1** 4, sivulla 3)
- Mitta (kuva **1** 5, sivulla 3)
- Vasara (kuva **1** 6, sivulla 3)
- Merkkipuikko (kuva **1** 7, sivulla 3)

Sähköliitännän kytkemistä ja tarkastamista varten tarvitset seuraavia apuvälineitä:

- Diodijännitekynä (kuva **1** 8, sivulla 3) tai volttimittari (kuva **1** 9, sivulla 3)
- Eristysnauhaa (kuva **1** 11, sivulla 3)
- Mahd. johdon läpivientiholkkeja

Johtojen kiinnittämiseen tarvitaan mahdollisesti vielä lisää nippusiteitä.

7.2 Kameran asentaminen



HUOMIO!

Valitse kameran paikka ja kiinnitä kamera siten, että kamera ei voi missään tilanteessa johtaa lähellä oleskelevien ihmisten loukkaantumiseen (esim. sen vuoksi, että ajoneuvon kattoon osuvat oksat repäisevät kameran irti).



OHJE

Jos ajoneuvon ajoneuvopapereihin merkitty korkeus tai pituus muuttuu kameran asentamisen takia, muutos täytyy hyväksyttää asianomaisissa paikoissa (katsastuskonttorit).

Antakaa oman liikenneviranomaisenne kirjata uusi hyväksyntä ajoneuvopapereihinne.

Noudata asennuksessa seuraavia ohjeita:

- Kiinnittäkää kamera järkevän kuvakulman saavuttamiseksi vähintään kahden metrin korkeudelle. Huolehdi kameraa asentaessasi siitä, että työskentelypaikka on riittävän tukeva.
- Varmista, että kamera on asennettu riittävän suojaan paikkaan (ota esim. huomioon se, että ajoneuvon kattoon osuvat oksat voivat tarttua kiinni kameraan).
- Asenna kameran kiinnike vaakasuoraan ajoneuvon takapään keskelle (kuva **10**, sivulla 6).
- Varmin kiinnitys saavutetaan korirakenteen läpi menevillä ruuveilla (eivät sisälly toimituskokonaisuuteen). Noudata tällöin seuraavia ohjeita:
 - Valitun asennuspaikan takana täytyy olla riittävästi vapaata tilaa asennusta varten.
 - Jokainen läpivienti täytyy suojata sopivin keinoin veden tunkeutumiselta (esim. käyttämällä ruuveissa tiivistysmassaa ja/tai ruiskuttamalla ulkopuolisille kiinnitysosille tiivistysmassaa).
 - Korin täytyy olla kiinnityskohdassa riittävän lujarakenteinen, jotta kameran pidikkeen voi kiristää riittävän tiukalle.
- Varmista etukäteen, että porattavan reiän taustapuolella on riittävästi tilaa (kuva **2**, sivulla 4).
- Jos et ole varma valitsemastasi asennuspaikasta, käänny korirakenteen valmistajan tai sen edustajan puoleen.



OHJE

Rasvaa ruuvien kierteet ruuvikorroosion minimoimiseksi.

Suorita asennus seuraavasti:

- Pidä kameran kiinnikettä valitun asennuspaikan kohdalla ja merkitse vähintään kahden porattavan reiän paikat ja liitäntäjohdon läpivienti (kuva **11**, sivulla 6).
- Tee vasaralla ja merkkipuikolla alkusyvennys aiemmin merkittyihin kohtiin, jotta poranterä ei luiskahda paikaltaan.

Läpiviennin tekeminen kameran liitäntäjohtoa varten (kuva 12, sivulla 6)**OHJE**

Käytä liitäntäjohtojen läpiviettiin mieluiten valmiina olevia läpivientiaukkoja, esim. tuuletusrilöitä. Jos läpivientiaukkoja ei ole, poraa halkaisijaltaan 16 mm:n reikä.

**HUOMAUTUS! Vaurioitusvaara!**

Tarkasta etukäteen, että porausreiän toisella puolella on riittävästi tilaa.

- Poraa merkitsemäsi läpivientireikä, jonka koko on Ø 16 mm.
- Pyöristä kaikki peltiin poratut reiät ja suojaa ne ruosteelta.

Kameran ruuvaaminen kiinni peltiruuveilla (kuva 13, sivulla 6)**HUOMAUTUS! Vaurioitusvaara!**

Peltiruuveja saa käyttää kiinnittämiseen vain, kun kiinnitysalusta on vähintään 1,5 mm paksua teräspeltiä.

- Poraa merkitsemiisi kohtiin reiät, joiden koko on Ø 4 mm.
- Pyöristä kaikki poratut reiät ja suojaa ne ruosteelta.
- Kiinnitä kameran pidike 5 x 20 mm:n peltiruuveilla.

Kameran asentaminen**HUOMAUTUS! Vaurioitusvaara!**

Käytä kameran kiinnittämiseen vain mukana toimitettuja ruuveja. Pidemmät ruuvit vahingoittavat kameraa.

- Vedä kamerajohto ajoneuvon sisään.
- Työnnä kamera kiinnikkeeseen.
- Kiinnitä kamera **alustavasti** kahdella ruuvilla M3 x 6 mm pitkänomaisiin reikiin (kuva 15, sivulla 6).
- Kohdista kamera alustavasti siten, että objektiivi muodostaa noin 50°:een kulman ajoneuvon pystyakseliin nähden (kuva 16, sivulla 7).

Kameran liittäminen sähköisesti



OHJE

- Vedä kamerajohto siten, että kameran ja jatkojohdon pistoliitäntään pääsee helposti käsiksi, jos kamera täytyy mahdollisesti irrottaa. Asennuksen purkaminen helpottuu näin huomattavasti.
- Levitä toiselle pistokkeista hieman rasvaa, esim. naparasvaa, jotta pistokkeiden korroosio pysyisi mahdollisimman vähäisenä.

- Työnnä kameran johdon urosliitin jatkojohdon naarasliittimeen.
- Kierrä pistokeliitin kiinni, jotta vesi ei pysty tunkeutumaan liitokseen (kuva **17**, sivulla 7).

Kameran suuntaaminen



OHJE

Kameran suuntaamista varten sinun täytyy vielä ensin asentaa monitori ja liittää se sähköisesti (ks. periaatteellinen liitäntäkaavio kuva **18**, sivulla 7).

- Suuntaa kamera monitorikuvan avulla:
Monitorikuvan alareunassa tulisi näkyä ajoneuvon perä tai takapuskuri. Takapuskurin keskikohdan tulisi olla myös monitorikuvan keskellä (kuva **19**, sivulla 7).
- Tarkasta kameran toiminta sen jälkeen, kun olet liittänyt sen monitoriin.

Kameran kiinnitys

- Kiristä molemmat kiinnitysruuvit monitoripidikkeen pitkittäisrei'issä.
- Työnnä sivukatteet paikoilleen (kuva **20**, sivulla 8).

8 Kameran hoito ja puhdistus



HUOMAUTUS! Vaurioitumisvaara!

Älä käytä puhdistamiseen teräviä tai kovia välineitä, koska tämä voi johtaa laitteen vahingoittumiseen.

- Puhdista kamera toisinaan pehmeällä, kostealla rievulla.

9 Tuotevastuu

Laitetta koskee lakisääteinen takuu-aika. Jos tuote sattuu olemaan viallinen, käänny maasi valmistajan toimipisteen puoleen (osoitteet käyttöohjeen takasivulla) tai ota yhteyttä omaan ammattikauppiaseesi.

Korjaus- ja takuukäsittelyä varten lähetä mukana seuraavat:

- vialliset osat,
- kopio ostolaskusta, jossa näkyy ostopäivä,
- valitusperuste tai vikakuvaus.


10 Hävittäminen

► Vie pakkausmateriaali mahdollisuuksien mukaan vastaavan kierrätysjätteen joukkoon.



Jos poistat tuotteen lopullisesti käytöstä, pyydä tietoa sen hävittämistä koskevista määräyksistä lähimmästä kierrätyskeskuksesta tai ammattiliikkeestäsi.

11 Tekniset tiedot

	PerfectView CAM45
Tuotenro:	9600000523
Kuvakenno:	1/4" CCD
Kuvapistettä:	n. 250000 kuvapistettä
Videostandardi:	PAL, 1 Vpp
Herkkyys:	< 1 Lux / 0 Lux infrapuna-LEDeillä
Kuvakulma:	n. 120° kulmittain n. 80° vaakasuorassa n. 65° pystysuorassa
Käyttöjännite:	11 ... 16 V==
Kulutus:	1,2 W
Käyttölämpötila:	-20 °C ... +70 °C
Kotelointiluokka:	IP69k
Tärinänkesto:	6g
Mitat L x K x S (pidikkeen kanssa):	78 x 60 x 50 mm
Paino:	n. 0,18 kg
Hyväksyntä:	

Прочтите данную инструкцию перед монтажом и вводом в эксплуатацию и сохраните ее. В случае передачи продукта передайте инструкцию следующему пользователю.

Оглавление

1	Пояснения к символам	127
2	Инструкции по технике безопасности и установке	127
3	Комплект поставки	129
4	Использование по назначению	130
5	Техническое описание	130
6	Указания по подключению к электрической сети	131
7	Монтаж камеры	132
8	Уход и очистка камеры	135
9	Гарантия	135
10	Утилизация	135
11	Технические данные	136

1 Пояснения к символам



ПРЕДУПРЕЖДЕНИЕ!

Указания по технике безопасности: Несоблюдение может привести к смертельному исходу или тяжелым травмам.



ОСТОРОЖНО!

Указания по технике безопасности: Несоблюдение может привести к травмам.



ВНИМАНИЕ!

Несоблюдение может привести к повреждениям и нарушить работу продукта.



УКАЗАНИЕ

Дополнительная информация по управлению продуктом.

2 Инструкции по технике безопасности и установке

Соблюдайте инструкции по технике безопасности изготовителя автомобиля и правила техники безопасности, установленные в автомастерской!

Изготовитель не несет никакой ответственности за ущерб в следующих случаях:

- Ошибки монтажа или подключения
- Повреждения продукта из-за механических воздействий и перенапряжений
- Изменения в продукте, выполненные без однозначного разрешения изготовителя
- Использование в целях, отличных от указанных в данной инструкции

Соблюдайте следующие указания:

- Чтобы не допустить короткого замыкания, перед работами на электрической системе автомобиля отсоедините клемму отрицательного полюса.
В автомобилях с дополнительным аккумулятором необходимо также отсоединить клемму отрицательного полюса аккумулятора.
- Неправильно присоединенные провода могут стать причиной короткого замыкания, которое приведет к
 - возгоранию кабелей,
 - срабатыванию надувной подушки безопасности,
 - повреждению электронных устройств управления,
 - выходу из строя электрических систем (указателей поворота, сигнала торможения, клаксона, зажигания, освещения).

- Используйте при работах на следующих линиях только изолированные кабельные зажимы, штекеры и наружные штекеры:
 - 30 (вход положительного полюса батареи, прямой),
 - 15 (включенный положительный полюс, за аккумуляторной батареей),
 - 31 (обратная цепь от аккумуляторной батареи, корпус),
 - 58 (фара заднего хода).

Не используйте клеммные колодки.

- Для соединения кабелей используйте обжимные клещи (рис. **1** 10, стр. 3).
- Привинтите кабель, если производится соединение к проводу 31 (корпус):
 - с помощью кабельного зажима и зубчатой пружинной шайбы к винту для соединения с корпусом, имеющемуся на автомобиле или
 - с помощью кабельного зажима и самонарезающего винта к листу кузова.

Обеспечивайте хорошее соединение с корпусом!

При отсоединении клеммы отрицательного полюса аккумуляторной батареи все энергозависимые электронные запоминающие устройства систем комфорта теряют сохраненные в них данные.

- В зависимости от оснащения автомобиля, вам придется заново настроить следующие данные:
 - Код радиоприемника
 - Часы автомобиля
 - Таймер
 - Бортовой компьютер
 - Положение сидений

Указания по настройке приведены в соответствующей инструкции по эксплуатации.

При монтаже соблюдайте следующие указания:

- Закрепите устанавливаемые внутри автомобиля детали камеры так, чтобы они ни при каких условиях (резком торможении, аварии) не могли отсоединиться **и привести к травмам** пассажиров.
- Крепите скрытые, устанавливаемые под обшивкой детали системы так, чтобы они не могли отсоединиться или повредить другие детали и провода и нарушить функции автомобиля (рулевое управление, педали и т. п.).
- Чтобы не допустить повреждений при сверлении, убедитесь, что имеется достаточно свободного пространства для выхода сверла (рис. **2**, стр. 4).
- Зачистите все отверстия и смажьте их антикоррозионным средством.
- Всегда соблюдайте указания изготовителя автомобиля по технике безопасности. Некоторые работы (например, на системах безопасности, в т. ч. на надувных подушках безопасности) разрешается выполнять только специалистам.

При работах на электрической системе соблюдайте следующие указания:

- Для проверки напряжения в электрических линиях используйте только диодную контрольную лампу (рис. **1** 8, стр. 3) или вольтметр (рис. **1** 9, стр. 3). Контрольные лампы с нитью накала (рис. **1** 12, стр. 3) потребляют слишком большой ток, вследствие чего может быть повреждена электроника автомобиля.
- При прокладке электрических линий(рис. **3**, стр. 4) следите за тем, чтобы они
 - не перегибались и не скручивались,
 - не терлись о края,
 - не прокладывались без защиты через вводы, имеющие острые края.
- Изолируйте все линии и соединения.
- Предохраните кабели от механических нагрузок, зафиксировав их кабельными стяжками или изоляционной лентой, например, за имеющиеся линии.

Камера является водонепроницаемой. Но уплотнения камеры не выдерживают очистки высоким давлением (рис. **4**, стр. 4). Поэтому соблюдайте следующие указания по обращению с камерой:

- Лица (в том числе дети), которые в связи с ограниченными физическими, сенсорными или умственными способностями или с недостатком опыта или знаний не в состоянии пользоваться данным изделием, не должны использовать это изделие без присмотра или инструктажа ответственного лица.
- Не вскрывайте камеру, т. к. это может привести к нарушению герметичности и нарушениям в работе функций (рис. **5**, стр. 4).
- Не тяните за кабели, т. к. это может привести к нарушению герметичности и нарушениям в работе камеры (рис. **6**, стр. 4).
- Камера не предназначена для работы под водой (рис. **7**, стр. 4).

3 Комплект поставки

№ на рис. 8 , стр. 5	Кол-во	Наименование	Арт. №
1	1	Камера	9600000523
2	1	Держатель камеры с проходной втулкой кабеля	9600000571
3	2	Боковая крышка	–
4	1	Системный кабель	9102200141
–	1	Крепежный материал	–
–	1	Руководство по эксплуатации и монтажу	–

4 Использование по назначению

Камера CAM45 (арт. № 9600000523) предназначена преимущественно для использования в автомобилях. Она может применяться в видеосистемах, служащих для наблюдения за зоной вокруг автомобиля с сиденья водителя, например, при маневрировании или парковке.



ПРЕДУПРЕЖДЕНИЕ!

Риск травмы в результате столкновения движущегося автомобиля с человеком. Видеосистемы заднего обзора являются вспомогательным средством при движении задним ходом и **не освобождают вас от обязанности соблюдать повышенную осторожность при движении задним ходом.**

5 Техническое описание

Камера со встроенным микрофоном размещена в алюминиевом корпусе и передает изображение и звук по кабелю к монитору. Благодаря инфракрасным светодиодам улучшается видимость ночью.

Камера передает изображение, аналогичное изображению в зеркале заднего вида.

Камера состоит из следующих основных элементов:

№ на рис. 9 , стр. 5	Наименование
1	6-конт. питающий кабель
2	Инфракрасные светодиодные датчики
3	Микрофон (задняя сторона)

6 Указания по подключению к электрической сети

6.1 Прокладка кабелей



ВНИМАНИЕ! Опасность повреждения!

- При сверлении отверстий предварительно убедитесь в том, что имеется достаточно свободного пространства для выхода сверла.
- В результате неправильной прокладки и соединения кабелей возможны неполадки и повреждения деталей. Правильная прокладка и соединения кабелей – основное условие длительной, бесперебойной работы дополнительно установленных компонентов.
- Кабели не должны длительное время находиться в контакте с растворителями, например, бензином, т. к. растворители повреждают кабели.

Поэтому соблюдайте следующие указания:

- Для ввода соединительных кабелей используйте, по возможности, оригинальные вводы или другие сквозные отверстия, например, края обшивки, вентиляционные решетки или заглушки. Если сквозные отверстия отсутствуют, необходимо просверлить для каждого кабеля подходящие отверстия. Предварительно проверьте, имеется ли достаточно свободного места для выхода сверла.
- По возможности, всегда прокладывайте кабели внутри автомобиля, т. к. там они защищены лучше, чем снаружи. Если, тем не менее, вы прокладываете кабели снаружи автомобиля, то обеспечивайте надежное крепление (с помощью дополнительных кабельных стяжек, изоленты и т. п.).
- Во избежание повреждений кабелей прокладывайте их на достаточном расстоянии от горячих и подвижных узлов автомобиля (выхлопных труб, приводных валов, генератора, нагревателей, вентиляторов и т. п.). Для механической защиты используйте гофрированные трубки или аналогичные защитные материалы.
- Завинтите соединения кабелей для защиты от попадания воды. (рис. 17, стр. 7).
- При прокладке кабелей (рис. 3, стр. 4) следите за тем, чтобы они
 - не перегибались и не скручивались,
 - не терлись о края,
 - не прокладывались без защиты через вводы, имеющие острые края.
- Надежно крепите кабели в автомобиле, чтобы предотвратить запутывание (опасность падения). Надежное крепление можно обеспечить, используя кабельные стяжки, изоленту или клей.
- Защитите подходящим образом каждое отверстие в наружной облицовке от попадания воды, например, используя установив кабель с герметиком и покрыв герметиком кабель и проходную втулку.



УКАЗАНИЕ

Начинайте герметизацию отверстий только после завершения регулировки камеры, когда уже определены длины соединительных кабелей.

7 Монтаж камеры

7.1 Требуемый инструмент

Для **установки и монтажа** требуется следующий инструмент:

- Комплект сверл (рис. **1** 1, стр. 3)
- Дрель (рис. **1** 2, стр. 3)
- Отвертка (рис. **1** 3, стр. 3)
- Комплект накладных или рожковых гаечных ключей (рис. **1** 4, стр. 3)
- Линейка (рис. **1** 5, стр. 3)
- Молоток (рис. **1** 6, стр. 3)
- Кернер (рис. **1** 7, стр. 3)

Для **электрического подключения** и его проверки требуются следующие вспомогательные средства:

- Диодная контрольная лампа (рис. **1** 8, стр. 3) или вольтметр (рис. **1** 9, стр. 3)
- Изоляционная лента (рис. **1** 11, стр. 3)
- При необходимости, проходные втулки кабеля

Для **крепления кабелей** могут потребоваться также кабельные стяжки.

7.2 Монтаж камеры



ОСТОРОЖНО!

Выберите место монтажа камеры и закрепите ее так, чтобы не допустить травм людей, находящихся поблизости, например, если задевшие крышу автомобиля ветки оборвут камеру.



УКАЗАНИЕ

Если после установки камеры изменилась указанная в документах на автомобиль высота или длина автомобиля, необходимо разрешение соответствующего компетентного органа (например, МРЭО).
Сотрудники МРЭО должны внести отметку об изменении конструкции автомобиля.

При монтаже соблюдайте следующие указания:

- Расположите камеру на высоте не менее двух метров, чтобы обеспечить достаточный угол обзора.
Для установки выберите место, где камера не может потерять устойчивость.
- Место монтажа камеры должно быть достаточно прочным (например, через крышу ветки могут зацепиться за камеру).

- Установите держатель камеры горизонтально и по центру в задней части автомобиля (рис. **10**, стр. 6).
- Самый надежный метод крепления - это винты, проходящие через кузов (приобретаются отдельно). При этом соблюдайте следующие указания:
 - Позади места крепления камеры должно иметься свободное пространство, необходимое для выполнения монтажных работ.
 - Каждое отверстие должно быть надлежащим образом защищено от попадания воды (например, путем установки винтов с герметиком и/или нанесения герметика на наружные крепежные элементы).
 - Кузов в месте крепления должен быть достаточно прочным, чтобы выдержать крепление камеры.
- Предварительно проверьте, имеется ли достаточно свободного места для выхода сверла (рис. **2**, стр. 4).
- Если не уверены в правильности выбора места монтажа, обратитесь к изготовителю кузова или в его представительство.

**УКАЗАНИЕ**

Для уменьшения коррозии винтов смажьте резьбу консистентной смазкой.

При монтаже соблюдайте следующий порядок действий:

- Приложите держатель камеры к выбранному месту монтажа и отметьте не менее двух центров сверления и одно отверстие для кабеля (рис. **11**, стр. 6).
- Во избежание увода сверла предварительно накерните ранее размеченные центры, используя молоток и кернер.

Выполнить отверстие для питающего кабеля камеры (рис. **12, стр. 6)****УКАЗАНИЕ**

Для ввода соединительных кабелей используйте, по возможности, имеющиеся сквозные отверстия, например, вентиляционные решетки. Если сквозные отверстия отсутствуют, необходимо просверлить отверстие $\varnothing 16$ мм.

**ВНИМАНИЕ! Опасность повреждения!**

Предварительно проверьте, имеется ли достаточно свободного места для выхода сверла.

- Просверлите в отмеченных точках по одному отверстию $\varnothing 16$ мм.
- Зачистите все отверстия в листе и смажьте их антикоррозионным средством.

Привинтите камеру самонарезным шурупом (рис. 13, стр. 6)**ВНИМАНИЕ! Опасность повреждения!**

Крепление самонарезными шурупами разрешается выполнять только в стальных листах толщиной не менее 1,5 мм.

- Просверлите в отмеченных точках по одному отверстию Ø 4 мм.
- Зачистите все отверстия и смажьте их антикоррозионным средством.
- Привинтите держатель камеры самонарезающими шурупами 5 x 20 мм.

Монтаж камеры**ВНИМАНИЕ! Опасность повреждения!**

Для монтажа камеры используйте только прилагаемые к ней винты. Более длинные винты могут повредить камеру.

- Введите кабель камеры внутрь автомобиля.
- Вставьте камеру в держатель.
- Закрепите камеру **неплотно** двумя винтами М3 x 6 мм в продольных отверстиях (рис. 15, стр. 6).
- Временно расположите камеру так, чтобы объектив образовал угол около 50° относительно вертикальной оси автомобиля (рис. 16, стр. 7).

Электрическое подключение камеры**УКАЗАНИЕ**

- Проложите кабель камеры так, чтобы обеспечить доступ к штекерному соединению между камерой и удлинительным кабелем на случай, если потребуется снять камеру. Это значительно облегчает демонтаж.
- Для уменьшения коррозии добавьте в один из штекеров немного консистентной смазки, например, смазки для полюсов аккумуляторных батарей.

- Вставьте штекер кабеля камеры в гнездо удлинительного кабеля.
- Завинтите штекерное соединение для защиты от попадания воды (рис. 17, стр. 7).

Регулировка камеры**УКАЗАНИЕ**

Сначала установите и подключите монитор (см. принципиальную электрическую схему рис. 18, стр. 7).

- Отрегулируйте камеру, основываясь на изображении на мониторе.
Задняя часть или бампер автомобиля должны отображаться в нижней части монитора. Середина бампера должна находиться в середине изображения (рис. 19, стр. 7).
- Подключив камеру к монитору, проверьте ее работу.

Крепление камеры

- Затяните оба крепежных винта в продольных отверстиях держателя монитора.
- Наденьте боковые крышки (рис. 20, стр. 8).

8 Уход и очистка камеры



ВНИМАНИЕ! Опасность повреждения!

Не использовать для очистки острые или твердые инструменты, которые могут повредить прибор.

- Периодически очищайте камеру мягкой, влажной тряпкой.

9 Гарантия

Действителен установленный законом срок гарантии. Если продукт неисправен, обратитесь в представительство изготовителя в Вашей стране (адреса см. на оборотной стороне инструкции) или в торговую организацию.

В целях проведения ремонта или гарантийного обслуживания Вы должны также послать следующее:

- неисправные компоненты,
- копию счета с датой покупки,
- причину рекламации или описание неисправности.


10 Утилизация

- По возможности, выкидывайте упаковочный материал в мусор, подлежащий вторичной переработке.



Если Вы окончательно выводите продукт из эксплуатации, то получите информацию в ближайшем центре по вторичной переработке или в торговой сети о соответствующих предписаниях по утилизации.

11 Технические данные

	PerfectView CAM45
Арт. №:	9600000523
Датчик изображения:	1/4" ПЗС
Разрешение:	ок. 250000 пикселей
Видеостандарт:	PAL, 1 Vpp
Чувствительность:	< 1 люкс/ 0 люкс с инфракрасными датчиками
Угол обзора:	ок. 120° по диагонали ок. 80° по горизонтали ок. 65° по вертикали
Рабочее напряжение:	от 11 до 16 В==
Расход:	1,2 Вт
Рабочая температура:	от -20 °С до +70 °С
Класс защиты:	IP69k
Вибростойкость:	6g
Размеры, Ш x В x Г (с держателем):	78 x 60 x 50 мм
Вес:	ок. 0,18 кг
Допуск:	

Przed instalacją i uruchomieniem urządzenia należy uważnie przeczytać niniejszą instrukcję. Instrukcję należy zachować. W razie przekazywania urządzenia należy ją udostępnić kolejnemu nabywcy.

Spis treści

1	Objaśnienie symboli	138
2	Wskazówki dotyczące bezpieczeństwa i montażu	138
3	W zestawie	140
4	Użytkowanie zgodne z przeznaczeniem	141
5	Opis techniczny	141
6	Informacje o podłączeniu elektrycznym	142
7	Montaż kamery	143
8	Pielęgnacja i czyszczenie kamery	146
9	Gwarancja	146
10	Utylizacja	146
11	Dane techniczne	147

1 Objąsnienie symboli



OSTRZEŻENIE!

Wskazówka dot. bezpieczeństwa: Nieprzestrzeganie może prowadzić do śmierci lub ciężkich obrażeń ciała.



OSTROŻNIE!

Wskazówka dot. bezpieczeństwa: Nieprzestrzeganie może prowadzić do obrażeń ciała.



UWAGA!

Nieprzestrzeganie może prowadzić do powstania szkód materialnych i zakłóceń w działaniu produktu.



WSKAZÓWKA

Informacje uzupełniające dot. obsługi produktu.

2 Wskazówki dotyczące bezpieczeństwa i montażu

Należy stosować się do uwag dot. bezpieczeństwa i dokumentacji zalecanych przez producenta i branżę motoryzacyjną!

Producent nie odpowiada za szkody spowodowane:

- błędami powstałymi w trakcie montażu lub podłączenia
- uszkodzeniem produktu w sposób mechaniczny lub spowodowany przeciążeniami elektrycznymi
- zmianami dokonanyymi w produkcie bez wyraźnej zgody producenta
- użytkowaniem w celach innych niż opisane w niniejszej instrukcji

Należy stosować się do następujących wskazówek:

- Ze względu na zagrożenie zwarcie przed wykonywaniem prac w elektronice pojazdu należy odłączyć biegun ujemny.
Biegun ujemny należy odłączyć również od dodatkowego akumulatora (jeśli istnieje).
- Niewłaściwe połączenia przewodów mogą sprawić, że na skutek zwarcia dojdzie do:
 - spalenia kabli,
 - aktywowania poduszki powietrznej,
 - uszkodzenia urządzeń sterowniczych,
 - awarii funkcji elektrycznych (kierunkowskazów migowych, światła hamowania, bucza, zapłonu, światła).

- Przy stosowaniu następujących przewodów należy używać tylko izolowanych końcówek kablowych, wtyczek i tulejek wtykowych płaskich:
 - 30 (wejście akumulatora od strony bieguna dodatniego, bezpośrednio),
 - 15 (przełączany biegun dodatni, za akumulatorem),
 - 31 (przewód powrotny od akumulatora, masa),
 - 58 (światła cofania).

Nie wolno używać łączników świecznikowych.

- Do łączenia przewodów należy używać obcęgow zaciskowych (rys. **1** 10, strona 3).
 - Należy przymocować przewód śrubami przy przyłączach do przewodu 31 (masa)
 - za pomocą końcówki kablowej i podkładki zębatej do śruby masowej lub
 - za pomocą końcówki kablowej i wkrętu do blachy karoserii.
- Należy pamiętać o prawidłowym przeniesieniu masy!

Po odłączeniu bieguna ujemnego akumulatora następuje utrata wszystkich danych zapisanych w pamięci ulotnej.

- Wówczas konieczne jest ponowne ustawienie następujących danych (w zależności od wyposażenia pojazdu):
 - Kod radia
 - Zegar pojazdu
 - Zegar sterujący
 - Komputer pokładowy
 - Pozycja siedzenia

Wskazówki dot. ustawiania znajdują się w instrukcji obsługi.

Podczas montażu należy stosować się do następujących wskazówek:

- Montowane w pojeździe części kamery należy umocować w taki sposób, żeby w żadnej sytuacji (gwałtowne hamowanie, wypadek drogowy) nie uległy poluzowaniu, co może doprowadzić do **obrażeń pasażerów pojazdu**.
- Części układu umieszczane pod osłoną należy mocować tak, aby w przyszłości nie mogło dojść do ich poluzowania lub uszkodzenia innych części i przewodów oraz nieprawidłowego działania innych funkcji (układ kierowniczy, pedały itd.).
- Podczas wiercenia należy pamiętać o pozostawieniu wystarczającego miejsca na wylot wiertła. Pozwoli to uniknąć ewentualnych uszkodzeń (rys. **2**, strona 4).
- Należy wygładzić wywiercony otwór, a następnie zabezpieczyć środkiem antykorozyjnym.
- Zawsze trzeba się stosować do wskazówek bezpieczeństwa otrzymanych od producenta. Niektóre prace (np. przy systemach zabezpieczających, takich jak zestaw poduszek powietrznych) mogą wykonywać jedynie odpowiednio przeszkoleni specjaliści.

Podczas pracy przy częściach elektrycznych należy stosować się do następujących wskazówek:

- Do sprawdzania napięcia w przewodach elektrycznych można używać tylko diodowej lampki kontrolnej (rys. **1** 8, strona 3) lub woltomierza (rys. **1** 9, strona 3). Lampki kontrolne z żarnikiem (rys. **1** 12, strona 3) pobierają zbyt dużo prądu, co może spowodować uszkodzenie elektroniki pojazdu.

- Wykonując okablowanie elektryczne (rys. **3**, strona 4), należy uwzględnić, że przewody
 - nie są one zgięte lub przekręcone,
 - nie ocierają się o krawędzie,
 - zostały zabezpieczone przed ostro zakończonymi przepustami.
- Należy wykonać izolację wszystkich połączeń i przyłączy.
- Należy zabezpieczyć kable przed uszkodzeniami mechanicznymi za pomocą zapinki lub taśmy izolującej, np. na istniejących przewodach.

Kamera jest wodoodporna. Jej uszczelki nie są jednak odporne na działanie czyszczących urządzeń wysokociśnieniowych (rys. **4**, strona 4). Dlatego podczas korzystania z kamery należy stosować się do następujących wskazówek:

- Osoby (także dzieci), które ze względu na niesprawność fizyczną, zmysłową lub umysłową albo brak doświadczenia lub niewiedzę nie są w stanie bezpiecznie użytkować produktu, nie powinny używać go bez nadzoru lub pouczenia przez osobę odpowiedzialną.
- Nie wolno otwierać urządzenia, ponieważ otwieranie może wpłynąć negatywnie na jego szczelność i sprawność działania (rys. **5**, strona 4).
- Nie należy pociągać za przewody, ponieważ może to wpłynąć negatywnie na szczelność i sprawność urządzenia (rys. **6**, strona 4).
- Kamera nie nadaje się do zastosowania pod wodą (rys. **7**, strona 4).

3 W zestawie

Nr na rys. 8 , strona 5	Ilość	Nazwa	Nr produktu
1	1	Kamera	9600000523
2	1	Uchwyt kamery z tuleją przepustu kablowego	9600000571
3	2	Ośłona boczna	–
4	1	Kabel systemowy	9102200141
–	1	Materiał mocujący	–
–	1	Instrukcja montażu i obsługi	–

4 Użytkowanie zgodne z przeznaczeniem

Kamera CAM45 (Art.-Nr. 9600000523) została opracowana przede wszystkim z myślą o stosowaniu w pojazdach. Można ją stosować w systemach wideo służących do obserwacji obszaru wokół pojazdu z siedzenia kierowcy, np. podczas manewrowania lub parkowania.



OSTRZEŻENIE!

Niebezpieczeństwo obrażeń ciała związane z pojazdem.

Systemy wideo ułatwiają cofanie zapewniają pomoc podczas jazdy wstecz, jednakże **nie** zwalniają kierowcy z obowiązku zachowania **szczególnej ostrożności w trakcie wykonywania tego manewru.**

5 Opis techniczny

Kamera ze zintegrowanym mikrofonem jest umieszczona w aluminiowej obudowie i przesyła obraz oraz dźwięk za pomocą przewodu do monitora. Podczerwone diody LED zapewniają lepszą widoczność w nocy.

Kamera przekazuje obraz porównywalny z obrazem uzyskiwanym za pomocą lusterka wstecznego.

Kamera składa się m.in. z następujących elementów:

Nr na rys. 9 , strona 5	Nazwa
1	6-biegunowy przewód przyłączeniowy
2	Podczerwone diody LED
3	Mikrofon (z tyłu)

6 Informacje o podłączeniu elektrycznym

6.1 Układanie przewodów



UWAGA! Niebezpieczeństwo uszkodzenia!

- Przed rozpoczęciem wiercenia należy sprawdzić, czy jest wystarczająco dużo miejsca na wylot wiertła.
- Nieprawidłowe ułożenie i połączenie przewodów prowadzi do wadliwego działania lub uszkodzenia części. Prawidłowe ułożenie i połączenie przewodów stanowi warunek trwałego i niezakłóconego funkcjonowania montowanych dodatkowo elementów wyposażenia.
- Kable nie mogą pozostawać przez dłuższy czas w kontakcie z rozpuszczalnikami takimi jak benzyna, ponieważ rozpuszczalniki mogą uszkodzić kable.

Dlatego należy stosować się do następujących wskazówek:

- Do przeciągnięcia kabli przyłączeniowych w miarę możliwości należy użyć oryginalnych przepustów lub innych przejść, jak np. krawędzie osłony, kratka wentylacyjna lub ślepy włącznik. W przypadku braku przepustów należy wywiercić na przewody odpowiednie otwory. Przedtem konieczne jest sprawdzenie, czy jest wystarczająco dużo miejsca na wylot wiertła.
- W miarę możliwości przewody kładź zawsze we wnętrzu pojazdu, ponieważ tam są lepiej zabezpieczone niż na zewnątrz, przy pojeździe. Jeśli jednak mimo to przewody będą kładzione na zewnątrz pojazdu, należy pamiętać o ich odpowiednim zamocowaniu (należy zastosować dodatkowe zapinki, taśmy izolujące itd.).
- Aby uniknąć uszkodzenia przewodów podczas ich układania, należy zachować wystarczającą odległość od gorących i ruchomych części pojazdu (rur wydechowych, wałków napędowych, alternatora, wentylatorów, ogrzewania, itd.). W celu zapewnienia ochrony mechanicznej należy zastosować rurę osłonową lub podobne materiały zabezpieczające.
- Należy przymocować połączenia wtykowe kabla łączącego za pomocą śrub w celu ochrony przed wnikaniem wody (rys. 17, strona 7).
- Podczas układania przewodów (rys. 3, strona 4) należy sprawdzić, czy
 - nie są one mocno zgięte lub skręcone,
 - nie ocierają się o krawędzie,
 - są wyposażone w ochronę przed ostrymi krawędziami przepustów.
- Przewody w pojeździe należy przymocować tak, aby nie doszło do ich zaplątania (obsunięcia). Można użyć do tego zapinek, taśmy izolującej lub kleju.
- Każde wycięcie w powłoce zewnętrznej należy odpowiednio zabezpieczyć przed wodą, np. poprzez włożenie przewodu z masą uszczelniającą i spryskanie go oraz tulejki przepustowej tą masą.



WSKAZÓWKA

Do uszczelnienia wycięcia można przystąpić dopiero po przeprowadzeniu wszystkich prac nastawczych przy kamerze oraz w przypadku, gdy ustalone są wymagane długości przewodów przyłączeniowych.

7 Montaż kamery

7.1 Wymagane narzędzia

Do **montażu** potrzebne są następujące narzędzia:

- Zestaw wiertel (rys. **1** 1, strona 3)
- Wiertarka (rys. **1** 2, strona 3)
- Śrubokręty (rys. **1** 3, strona 3)
- Zestaw kluczy oczkowych lub szczękowych (rys. **1** 4, strona 3)
- Przymiar (rys. **1** 5, strona 3)
- Młotek (rys. **1** 6, strona 3)
- Punktak (rys. **1** 7, strona 3)

Do **podłączenia elektrycznego** i jego sprawdzenia potrzebne są następujące środki pomocnicze:

- Lampka kontrolna diodowa (rys. **1** 8, strona 3) lub woltomierz (rys. **1** 9, strona 3)
- Taśma izolacyjna (rys. **1** 11, strona 3)
- Ew. tuleje do przepustów przewodów

Do **przymocowania przewodów** mogą być jeszcze potrzebne dodatkowe zapinki.

7.2 Montaż kamery



OSTROŻNIE!

Wybierając miejsce do montażu i mocując kamerę, należy zapewnić bezpieczeństwo osób, które mogą znaleźć się w jej pobliżu. Ewentualne zagrożenie może zostać spowodowane np. oderwaniem kamery przez gałęzie znajdujące się nad dachem pojazdu.



WSKAZÓWKA

Jeśli zamontowanie kamery powoduje zmianę wysokości i długości pojazdu umieszczonej w dokumentach pojazdu, konieczny jest ponowny odbiór przez uprawnioną jednostkę certyfikującą (TÜV, DEKRA itd.).

Fakt dokonania ponownego odbioru należy zgłosić do wpisania przez urząd ruchu drogowego do dokumentów pojazdu.

Podczas montażu należy stosować się do następujących wskazówek:

- Aby uzyskać odpowiedni kąt widzenia, kamerę należy umieścić na wysokości co najmniej dwóch metrów.
Podczas montażu należy zapewnić sobie wystarczająco dużo miejsca do pracy w pozycji stojącej.

- Należy zwrócić uwagę na to, czy miejsce montażu cechuje się wystarczającą wytrzymałością (czy np. w kamerę nie mogą się wplątać gałęzie znajdujące się na dachu pojazdu).
- Uchwyt kamery należy zamontować poziomo, na środku tyłu pojazdu (rys. 10, strona 6).
- Najbezpieczniejszym rodzajem montażu są śruby przechodzące przez nadwozie (nie wchodzą w zakres dostawy). Należy stosować się do następujących wskazówek:
 - Za wybraną pozycją montażową musi być wystarczająco dużo miejsca dla montażu.
 - Każde wycięcie w warstwie zewnętrznej należy odpowiednio zabezpieczyć przed wodą (np. poprzez umieszczenie w nim śrub z masą uszczelniającą i/lub spryskanie zewnętrznych części mocujących tą masą).
 - Nadwozie w miejscu mocowania musi być odpowiednio wytrzymałe – tak, aby można było dostatecznie mocno dociągnąć uchwyt kamery.
- Przedtem należy sprawdzić, czy jest odpowiednio dużo miejsca na wyjście wiertła (rys. 2, strona 4).
- W przypadku wątpliwości co do wyboru miejsca montażu należy skontaktować się z producentem nadwozia lub jego przedstawicielem.



WSKAZÓWKA

Aby zminimalizować ryzyko korozji śrub, należy nasmarować gwinty.

Podczas montażu należy postępować w następujący sposób:

- Przystawić uchwyt kamery do wybranego miejsca montażu i zaznaczyć co najmniej dwa różne punkty wiercenia otworów oraz wycięcie na przewód przyłączeniowy (rys. 11, strona 6).
- Należy wykonać punktowanie w uprzednio zarysowanych miejscach za pomocą młotka lub punktaka; pozwoli to uniknąć umieszczenia wiertła w nieprawidłowym miejscu.

Wykonanie wycięcia na przewód przyłączeniowy kamery (rys. 12, strona 6)



WSKAZÓWKA

Do przeciągnięcia kabli przyłączeniowych należy użyć w miarę możliwości istniejących przepustów, jak np. kratka wentylacyjna. Jeśli nie istnieją żadne przepusty, należy wywiercić otwór o średnicy $\varnothing 16$ mm.



UWAGA! Niebezpieczeństwo uszkodzenia!

Konieczne jest sprawdzenie, czy istnieje odpowiednio dużo miejsca na wylot wiertła.

- W zaznaczonym wcześniej przepuście należy wykonać dziurę o średnicy $\varnothing 16$ mm.
- Wszystkie otwory wiercone w blasze należy wygładzić i zabezpieczyć preparatem antykorozyjnym.

Przykręcanie kamery za pomocą blachowkrętów (rys. 13, strona 6)



UWAGA! Niebezpieczeństwo uszkodzenia!

Mocowanie za pomocą wkrętów można przeprowadzać tylko w blachach stalowych o minimalnej grubości wynoszącej 1,5 mm.

- ▶ W uprzednio zaznaczonych punktach wywiercić otwory o średnicy \varnothing 4 mm.
- ▶ Wszystkie otwory wiercone należy wygładzić i zabezpieczyć preparatem antykorozyjnym.
- ▶ Uchwyt kamery należy przykręcić za pomocą wkrętów do blachy o wymiarze 5 x 20 mm.

Montaż kamery



UWAGA! Niebezpieczeństwo uszkodzenia!

Do montażu kamery należy używać tylko dołączonych śrub. Dłuższe śruby spowodują jej uszkodzenie.

- ▶ Następnie należy wprowadzić przewód kamery do wnętrza pojazdu.
- ▶ Kamerę należy wsunąć w uchwyt.
- ▶ Umocować kamerę **luźno** za pomocą dwóch śrub M3 x 6 mm włożonych do wzdłużnych otworów (rys. 15, strona 6).
- ▶ Należy prowizorycznie ustawić kamerę w taki sposób, aby obiektyw tworzył z pionową osią pojazdu kąt ok. 50° (rys. 16, strona 7).

Podłączanie elektryczne kamery



WSKAZÓWKA

- Przewód kamery należy położyć tak, aby w razie konieczności demontażu można było w łatwy sposób uzyskać dostęp do połączenia wtyczkowego pomiędzy kamerą a przewodem przedłużającym. Znacznie uprości to demontaż kamery.
- Aby zminimalizować ryzyko korozji wtyczki, należy nasmarować jej środek, na przykład smarem biegunowym.

- ▶ Wstawić wtyczkę kabla kamery do gniazdka przedłużacza.
- ▶ Połączenie wtykowe należy przymocować za pomocą śrub w celu ochrony przed wnikaniem wody (rys. 17, strona 7).

Ustawianie kamery



WSKAZÓWKA

Aby można było ustawić kamerę, należy najpierw zamontować i podłączyć elektrycznie monitor (zob. zasadniczy schemat połączeń rys. 18, strona 7).

- Należy ustawić kamerę za pomocą obrazu na monitorze:
Na monitorze, w dolnej krawędzi obrazu, powinien być widoczny tył lub zderzak pojazdu. Środek zderzaka powinien być jednocześnie środkiem obrazu (rys. 19, strona 7).
- Po podłączeniu do monitora należy sprawdzić działanie kamery.

Mocowanie kamery

- Dokręć obie śruby mocujące w otworach podłużnych uchwyty kamery.
- Nałóż osłony boczne (rys. 20, strona 8).

8 Pielęgnacja i czyszczenie kamery



UWAGA! Niebezpieczeństwo uszkodzenia!

Do czyszczenia nie wolno używać ostrych i twardych środków, ponieważ mogą one uszkodzić urządzenie.

- Od czasu do czasu należy czyścić kamerę wilgotną ściereczką.

9 Gwarancja

Warunki gwarancji zostały opisane w Karcie Gwarancyjnej dołączonej do produktu.

W celu naprawy lub rozpatrzenia gwarancji konieczne jest przesłanie:

- uszkodzonych komponentów,
- kopii rachunku z datą zakupu,
- informacji o przyczynie reklamacji lub opisu wady.


10 Utylizacja

- Opakowanie należy wyrzucić do odpowiedniego pojemnika na śmieci do recyklingu.



Jeżeli produkt nie będzie dłużej eksploatowany, konieczne dowiedz się w najbliższym zakładzie recyklingu lub w specjalistycznym sklepie, jakie są aktualnie obowiązujące przepisy dotyczące utylizacji.

11 Dane techniczne

	PerfectView CAM45
Nr art.:	9600000523
Czujnik obrazu:	1/4" CCD
Punkty obrazowe:	ok. 250000 pikseli
Standard video:	PAL, 1 Vpp
Czułość:	< 1 luks / 0 luks z LED na podczerwień
Kąt widzenia:	ok. 120° po przekątnej ok. 80° w poziomie ok. 65° w pionie
Napięcie robocze:	od 11 do 16 V $\overline{=}$
Zużycie:	1,2 W
Temperatura robocza:	-20 °C do +70 °C
Stopień ochrony:	IP69k
Odporność na wibracje:	6g
Wymiary S x W x G (z uchwytem):	78 x 60 x 50 mm
Waga:	ok. 0,18 kg
Atest:	

Pred montážou a uvedením do prevádzky si prosím pozorne prečítajte tento návod a odložte si ho. V prípade odovzdania výrobku ďalšiemu používateľovi mu odovzdajte aj tento návod.

Obsah

1	Vysvetlenie symbolov	148
2	Bezpečnostné a inštalačné pokyny	149
3	Rozsah dodávky	151
4	Používanie na stanovený účel	151
5	Technický popis	151
6	Pokyny k elektrickému zapojeniu	152
7	Montáž kamery	153
8	Ošetrovanie a čistenie kamery	156
9	Záruka	156
10	Likvidácia	156
11	Technické údaje	157

1 Vysvetlenie symbolov



VÝSTRAHA!

Bezpečnostný pokyn: Nerešpektovanie môže viesť k smrti alebo k ťažkému zraneniu.



UPOZORNENIE!

Bezpečnostný pokyn: Nerešpektovanie môže viesť k zraneniam.



POZOR!

Nerešpektovanie môže viesť k materiálnym škodám a môže ovplyvniť funkciu zariadenia.



POZNÁMKA

Doplňujúce informácie k obsluhu výrobku.

2 Bezpečnostné a inšalačné pokyny

Rešpektujte bezpečnostné pokyny a podklady vydané výrobcom vozidla a predpísané remeselným zväzom!

Výrobca v nasledujúcich prípadoch nepreberá za škody žiadnu záruku:

- Chyby montáže alebo pripojenia
- Poškodenia produktu mechanickými vplyvmi a prepätiami
- Zmeny produktu bez vyjadreného povolenia výrobcu
- Použitie na iné účely ako sú účely uvedené v návode

Rešpektujte nasledovné upozornenia:

- Pred začatím prác na elektrickom zariadení vozidla vždy najprv odpojte záporný pól, aby sa vylúčilo nebezpečenstvo skratu.
Ak má vozidlo prídavnú batériu, aj na nej musíte odpojiť záporný pól.
- Nedostatočné spojenia vodičov môžu mať za následok, že na základe skratu
 - vznikne požiar z káblov,
 - aktivuje sa airbag,
 - poškodia sa riadiace zariadenia,
 - vypadnú elektrické funkcie (smerové svetlá, brzdomerové svetlo, klaksón, zapaľovanie, svetlá).
- Pri prácach na nasledovných vedeniach používajte len izolované káblkové koncovky, konektory a ploché dutinky na konektor:
 - 30 (vstup z batérie, kladné napätie, priamo),
 - 15 (zopnuté kladné napätie, za batériou),
 - 31 (spätný vodič od batérie, kostra),
 - 58 (spätné svetlomety).

Nepoužívajte svietidlové spojky.

- Na spojenie káblov použite krimpovacie kliešte (obr. **1** 10, strane 3).
 - Priskrutkujte kábel pri zapojeniach na vodič 31 (kostra)
 - spolu s káblovou koncovkou a ozubenou podložkou na ukostrováciu skrutku vozidla alebo
 - spolu s káblovou koncovkou a skrutkou na plech na plech karosérie.
- Dbajte na to, aby bol prenos na kosť dostatočný!

Pri odpojení záporného pólu batérie stratia všetky prechodné pamäte komfortnej elektroniky svoje uložené údaje.

- V závislosti od vyhotovenia vozidla je potrebné znova nastaviť nasledovné údaje:
 - Kód rádia
 - Hodiny vozidla
 - Spínacie hodiny
 - Palubný počítač
 - Poloha sedadiel

Pokyny na nastavenie nájdete v príslušnom návode na používanie.

Pri montáži dodržiavajte nasledovné pokyny:

- Vo vnútri vozidla namontované časti kamery upevnite tak, aby sa za žiadnych okolností (prudké brzdenie, dopravná nehoda) nemohli uvoľniť a viesť **k zraneniam pasažierov vo vnútri vozidla**.
- Upevnite časti systému tak, že ich skryjete pod obloženie, a to tak, aby sa neuvoľnili alebo nepoškodili iné časti alebo iné vedenia a aby sa nepriaznivo neovplyvnili funkcie vozidla (riadenie, pedále atď.).
- Pri vítaní dajte pozor, aby mal vrták na výstupe dostatok priestoru, aby sa predišlo poškodeniam (obr. **2**, strane 4).
- Odstráňte výronky z každého vyvrtaného otvoru a ošetríte ich antikoročným prostriedkom.
- Vždy dodržiavajte bezpečnostné upozornenia výrobcu vozidla. Niektoré práce (napr. na zadržiavacích systémoch ako AIRBAG atď.) smie vykonávať len vyškolený odborný personál.

Pri práci na elektrických častiach dodržiavajte nasledovné pokyny:

- Na kontrolu napätia v elektrických vedeniach používajte len diódovú skúšobnú lampu (obr. **1** 8, strane 3) alebo voltmeter (obr. **1** 9, strane 3). Skúšobnú lampu s osvetľovacím telesom (obr. **1** 12, strane 3) zachyťte príliš vysoký prúd, ktorým by sa mohla poškodiť elektronika vozidla.
- Pri uložení elektrických prípojok dávajte pozor (obr. **3**, strane 4),
 - aby neboli stlačené alebo prekrútené,
 - aby sa neodierali o hrany,
 - aby neboli uložené v ostrých priechodkách bez dostatočnej ochrany.
- Zaizolujte všetky spojenia a prípojky.
- Zaistite káble proti mechanickému namáhaniu pomocou viazačov káblov alebo izolačnej pásky, napr. k existujúcim vedeniam.

Kamera je vodotesná. Tesnenia kamery však neodolajú tlaku vysokotlakového čističa (obr. **4**, strane 4). Pri manipulácii s kamerou dodržiavajte nasledovné upozornenia:

- Osoby (vrátane detí), ktoré z dôvodu ich fyzických, zmyslových či duševných schopností alebo ich neskúsenosti či neznalosti nie sú schopné výrobok bezpečne používať, nemajú používať tento prístroj bez dozoru alebo poučenia od zodpovednej osoby.
- Neotvárajte kameru, pretože by to mohlo nepriaznivo ovplyvniť jej tesnosť a funkčnosť (obr. **5**, strane 4).
- Neťahajte kábel, pretože to môže nepriaznivo ovplyvniť tesnosť a funkčnosť kamery (obr. **6**, strane 4).
- Kamera nie je vhodná na prevádzku pod vodou (obr. **7**, strane 4).

3 Rozsah dodávky

Č. v obr. 8, strane 5	Množstvo	Označenie	Tovarové č.
1	1	Kamera	9600000523
2	1	Držiak kamery s objímkou káblovej prechodky	9600000571
3	2	Bočný kryt	–
4	1	Systémový kábel	9102200141
–	1	Upevňovací materiál	–
–	1	Návod na montáž a obsluhu	–

4 Používanie na stanovený účel

Kamera CAM45 (č. výrobku 9600000523) je určená prednostne na používanie vo vozidlách. Dá sa použiť vo video systémoch, ktoré slúžia na pozorovanie priestoru okolo vozidla zo sedadla vodiča, napr. pri posunovaní alebo parkovaní.



VÝSTRAHA!

Nebezpečenstvo ublíženia na zdraví vychádzajúce z vozidla.

Cúvacie videosystémy predstavujú pomoc pri cúvaní, avšak **nezbavujú vodičov mimoriadnej opatrnosti pri cúvaní**.

5 Technický popis

Kamera s integrovaným mikrofónom je umiestnená v hliníkovom kryte a káblom prenáša obraz a zvuk na monitor. Infračervené LED zlepšujú viditeľnosť za tmy.

Kamera sprostredkuje obraz, ako keby ste pozerali do spätného zrkadla.

Kamera pozostáva o. i. z nasledovných prvkov:

Č. v obr. 9, strane 5	Označenie
1	6-pólový prípojný kábel
2	Infračervené LED
3	Mikrofón (zadná strana)

6 Pokyny k elektrickému zapojeniu

6.1 Uloženie káblov



POZOR! Nebezpečenstvo poškodenia!

- Pred vrátaním otvorov skontrolujte, či je dostatok voľného priestoru pre výstup vrtáka.
- Neodborné uloženie kábla a káblových spojení vedie k chybnnej činnosti alebo poškodeniu konštrukčných dielcov. Správne uloženie kábla, príp. káblových spojení je základným predpokladom trvale a bezchybnnej činnosti dodatočne namontovaných komponentov.
- Káble nesmú prichádzať dlhší čas do styku s rozpúšťadlami, ako napr. benzín, pretože tie by mohli káble poškodiť.

Rešpektujte preto nasledovné upozornenia:

- Na prechod prípojného kábla použijete podľa možností originálne priechodky alebo iné možnosti prechodu napr. obloženie hrán, ventilačné mriežky alebo slepé spínače. Ak nie sú k dispozícii žiadne prechody, musia sa pre káble vyvrtávať vhodné otvory. Najprv zistíte, či je dostatok voľného priestoru pre výstup vrtáka.
- Uložte káble podľa možnosti vždy vnútri vozidla, pretože tam budú lepšie chránené ako vonku na vozidle.
Ak aj napriek tomu uložte káble mimo vozidla, dbajte na ich bezpečné upevnenie (prídavným viazačom káblov, izolačnou páskou atď.).
- Aby sa predišlo poškodeniu káblov, dodržiavajte pri uložení kábla dostatočný odstup od horúcich a pohyblivých častí vozidla (výfukové vedenie, hnacie hriadele, alternátor, ventilátor, kúrenie atď.). Na mechanickú ochranu použijte vlnitú rúrku alebo podobné ochranné materiály.
- Zaskrutkujte zástrčkové spoje spájacích káblov na ochranu proti vniknutiu vody (obr. 17, strane 7).
- Pri uložení káblov (obr. 3, strane 4) dávajte pozor,
 - aby neboli silno stlačené alebo prekrútené,
 - aby sa neodierali o hrany,
 - aby bez ochrany nevedli cez ostré prechody.
- Upevnite káble bezpečne vo vozidle, aby ste predišli zamotaniu (nebezpečenstvo pádu). Možno tak urobiť použitím viazačov káblov, izolačnej pásky alebo prilepením lepidlom.
- Každý vytvorený otvor chráňte zvonku vhodnými opatreniami pred vniknutím vody, napr. použitím kábla s tesnivom a zastriekáním kábla a priechodky tesnivom.



POZNÁMKA

S utesňovaním vytvorených otvorov začnite až po ukončení všetkých prác na kamere a po určení potrebnej dĺžky káblov.

7 Montáž kamery

7.1 Potrebne náradie

Na **zabudovanie a montáž** potrebujete nasledovné náradie:

- Súprava vrtákov (obr. **1** 1, strane 3)
- Vrtáčka (obr. **1** 2, strane 3)
- Skrutkovač (obr. **1** 3, strane 3)
- Súprava prstencových alebo otvorených kľúčov (obr. **1** 4, strane 3)
- Meradlo (obr. **1** 5, strane 3)
- Kladivo (obr. **1** 6, strane 3)
- Jamkovač (obr. **1** 7, strane 3)

Na **elektrické zapojenie** a jeho preskúšanie potrebujete nasledovné pomôcky:

- Diódová skúšobná lampa (obr. **1** 8, strane 3) alebo voltmeter (obr. **1** 9, strane 3)
- Izolačná páska (obr. **1** 11, strane 3)
- Príp. káblové priechodky

Na **upevnenie káblov** potrebujete príp. ešte ďalšie viazače káblov.

7.2 Montáž kamery



UPOZORNENIE!

Zvoľte miesto pre kameru a upevnite ju tak bezpečne, aby sa za žiadnych okolností osoby nachádzajúce sa v blízkosti nemohli poraniť, napr. tým, že konáre, ktoré zasiahnu strechu vozidla, odtrhnú kameru.



POZNÁMKA

Ak sa montážou kamery zmení výška alebo dĺžka vozidla zaznamenaná v technickom preukaze vozidla, musí sa zabezpečiť nové schválenie zo strany kompetentných miest (TŮV, DEKRA atď.).

Nové schválenie dajte zaznamenať príslušným dopravným inšpektorátom do technického preukazu vozidla.

Pri montáži dodržiavajte nasledovné pokyny:

- Aby mala kamera účelný uhol pohľadu, umiestnite ju minimálne vo výške dvoch metrov. Pri montáži dbajte, aby ste mali dostatočne stabilné pracovné miesto.
- Dbajte na to, aby miesto montáže kamery bolo dostatočne pevné (napr. konáre, ktoré zasiahnu strechu vozidla, sa môžu do kamery zaplietť).
- Držiak kamery namontujte vodorovne a do stredu zadnej časti vozidla (obr. **10**, strane 6).

- Najbezpečnejší spôsob upevnenia sú skrutky, ktoré prechádzajú konštrukciou (nie sú súčasťou rozsahu dodávky). Rešpektujte pritom nasledovné upozornenia:
 - Za zvolenej montážnou polohou musí byť dostatok voľného priestoru na montáž.
 - Každý vytvorený otvor sa musí chrániť vhodnými opatreniami proti vniknutiu vody (napr. použitím skrutiek s tesnivom a/alebo zastriekanie upevňovacích skrutiek tesnivom zvonku).
 - Nadstavba na mieste upevnenia musí byť dostatočne pevná, aby sa držiak kamery dal dostatočne utiahnuť.
- Najprv skontrolujte, či je dostatok voľného priestoru pre výstup vrtáka (obr. **2**, strane 4).
- Ak nie ste si istí zvoleným miestom montáže, informujte sa u výrobcu nadstavby alebo jeho zastúpenia.

**POZNÁMKA**

Aby sa minimalizovala korózia skrutiek, závitý namastite.

Pri montáži postupujte takto:

- Držiak kamery pridržte na zvolenom mieste montáže a označte vždy minimálne dva rôzne body vrtania a priechod pre pripájací kábel (obr. **11**, strane 6).
- Najprv si predznačte otvor kladivom a jamkovačom, aby ste predišli skĺznutiu vrtáka.

Vytvorenie otvoru pre pripojný kábel kamery (obr. **12, strane 6)****POZNÁMKA**

Na prechod pripojného kábla použite podľa možností originálne prechody, napr. ventilačné mriežky. Ak nie sú k dispozícii žiadne prechody, musí sa pre kábel vyvrtáť otvor Ø 16 mm.

**POZOR! Nebezpečenstvo poškodenia!**

Najprv skontrolujte, či je dostatok voľného priestoru pre výstup vrtáka.

- Na vopred naznačenom priechode vyvrtajte otvor s priemerom 16 mm.
- Všetky otvory vytvorené v plechu zbavte výronkov a ošetrte antikoróznym prostriedkom.

Priskrutkovanie kamery samoreznými skrutkami (obr. **13, strane 6)****POZOR! Nebezpečenstvo poškodenia!**

Upevniť skrutkami na plech sa smie len na plech s minimálnou hrúbkou 1,5 mm.

- Vyvrtajte v predznačených bodoch po jednom otvore s Ø 4 mm.
- Všetky otvory zbavte výronkov a ošetrte antikoróznym prostriedkom.
- Držiak kamery priskrutkujte skrutkami na plech 5 x 20 mm.

Montáž kamery



POZOR! Nebezpečenstvo poškodenia!

Na montáž kamery použite len dodané skrutky. Dlhšie skrutky poškodia kameru.

- Kábel kamery zaved'te do vnútra vozidla.
- Vsuňte kameru do držiaka.
- Kameru **voľne** upevnite dvomi skrutkami M3 x 6 mm do pozdĺžnych otvorov (obr. **15**, strane 6).
- Kameru provizórne vyrovnajte tak, aby objektív tvoril cca 50° uhol so zvislou osou vozidla (obr. **16**, strane 7).

Elektrické zapojenie kamery



POZNÁMKA

- Kábel kamery uložte tak, aby ste sa v prípade potreby demontáže kamery ľahko dostali k zástrčkovému spoju kamery a predlžovacieho kábla. Demontáž sa tým výrazne zjednoduší.
- Aby sa minimalizovala korózia konektora, dajte malé množstvo masťava, napr. masťava na póly, do konektora.

- Zasuňte konektor kábla kamery do zdierky predlžovacieho kábla.
- Zaskrutkujte zástrčkové spoje na ochranu proti vniknutiu vody (obr. **17**, strane 7).

Vyrovnanie kamery



POZNÁMKA

Pred vyrovnaním kamery musíte najprv namontovať monitor a uskutočniť jeho elektrické zapojenie (pozri princíp na schéme zapojenia obr. **18**, strane 7).

- Vyrovnajte kameru podľa obrazu monitora:
Obraz monitora by mal zobrazovať dolný okraj obrazu zadnej časti, príp. nárazníka vášho vozidla. Stred nárazníka by mal byť v strede obrazu monitora (obr. **19**, strane 7).
- Po pripojení kamery k monitoru skontrolujte jej funkciu.

Upevnenie kamery

- Dotiahnite obidve upevňovacie skrutky v pozdĺžnych otvoroch držiaka monitora.
- Nasadte bočné kryty (obr. **20**, strane 8).

8 Ošetrovanie a čistenie kamery



POZOR! Nebezpečenstvo poškodenia!

Na čistenie nepoužívajte ostré prostriedky, pretože by mohli poškodiť prístroj.

- Kameru príležitostne vyčistite mäkkou, navlhčenou handričkou.

9 Záruka

Platí zákonom stanovená záručná lehota. Ak by bol výrobok chybný, obráťte sa na pobočku výrobcu vo vašej krajine (adresy pozri na zadnej strane návodu) alebo na vášho špecializovaného predajcu.

Ak žiadate o vybavenie opravy alebo nárokov vyplývajúcich zo záruky, musíte priložiť nasledovné:

- chybné komponenty,
- kópiu faktúry s dátumom kúpy,
- dôvod reklamácie alebo opis chyby.


10 Likvidácia

- Obalový materiál podľa možnosti odovzdajte do príslušného odpadu na recykláciu.



Keď výrobok definitívne vyradíte z prevádzky, informujte sa v najbližšom recyklačnom stredisku alebo u vášho špecializovaného predajcu o príslušných predpisoch týkajúcich sa likvidácie.

11 Technické údaje

	PerfectView CAM45
Tov.-č.:	9600000523
Snímač obrazu:	1/4" CCD
Obrazové prvky:	cca 250000 pixelov
Štandard video režimu:	PAL, 1 Vpp
Citlivosť:	< 1 lux / 0 lux s infračervenými LED
Uhol pohľadu:	cca 120° diagonálne cca 80° horizontálne cca 65° vertikálne
Prevádzkové napätie:	11 až 16 V===
Spotreba:	1,2 W
Prevádzková teplota:	-20 °C až +70 °C
Trieda ochrany:	IP69k
Odolnosť voči vibráciám:	6g
Rozmery Š x V x H (s držiakom):	78 x 60 x 50 mm
Hmotnosť:	cca 0,18 kg
Schválenie:	

Před zahájením instalace a uvedením do provozu si pečlivě přečtěte tento návod a uschovejte jej. V případě dalšího prodeje výrobku předejte návod novému uživateli.

Obsah

1	Vysvětlení symbolů	159
2	Bezpečnostní pokyny a pokyny k instalaci	159
3	Obsah dodávky	161
4	Použití v souladu se stanoveným účelem.	161
5	Technický popis	162
6	Pokyny k elektrickému připojení	162
7	Montáž kamery	163
8	Čištění a péče o kameru	166
9	Odpovědnost za vady	166
10	Likvidace	166
11	Technické údaje	167

1 Vysvětlení symbolů



VÝSTRAHA!

Bezpečnostní pokyny: Následkem nedodržení pokynů mohou být smrtelná nebo vážná zranění.



UPOZORNĚNÍ!

Bezpečnostní pokyny: Následkem nedodržení mohou být úrazy.



POZOR!

Nedodržení pokynů může mít za následek hmotné škody a narušení funkce výrobku.



POZNÁMKA

Doplňující informace týkající se obsluhy výrobku.

2 Bezpečnostní pokyny a pokyny k instalaci

Dodržujte předepsané bezpečnostní pokyny a předpisy vydané výrobcem vozidla a autoservisem!

V následujících případech nepřebírá výrobce žádné záruky za škody:

- Chybná montáž nebo chybné připojení
- Poškození výrobku působením mechanických vlivů a přepětí
- Změna výrobku bez výslovného souhlasu výrobce
- Použití k jiným účelům, než jsou popsány v tomto návodu

Dodržujte následující pokyny:

- Z důvodu nebezpečí zkratu musíte před zahájením prací na elektrickém systému vozidla vždy odpojit záporný pól.
V případě vozidel s přídatnou baterií musíte rovněž odpojit záporný pól na této baterii.
- Nesprávně provedené spoje vodičů mohou způsobit zkrat s těmito následky:
 - Vznik požáru kabelů
 - Uvolnění airbagů
 - Poškození elektronických řídicích zařízení
 - Porucha funkcí elektrických zařízení (ukazatele změny směru jízdy, brzdová světla, klakson, zapalování, světla).
- Při práci na následujících vodičích používejte pouze izolované kabelové koncovky, zástrčky a ploché dutinky:
 - 30 (přímý vstup z baterie plus),
 - 15 (spínaný pól plus, za baterií),
 - 31 (vedení od baterie, kostra),
 - 58 (světlo zpátečky).

Nepoužívejte **žádné** lámací svorkovnice (tzv. „čokoláda“).

- Používejte ke spojování kabelů lisovací kleště (obr. **1** 10, strana 3).
- Přišroubujte kabely v případě přípojek k vodiči 31 (kostra)
 - pomocí kabelového oka a ozubené podložky k vlastnímu ukotřovacímu šroubu vozidla nebo
 - kabelovým okem a šroubem do plechu k plechu karoserie.

Pamatujte na dobré uzemnění!

Při odpojování záporného pólu baterie dojde v dočasné paměti systémů komfortní elektroniky ke ztrátě uložených dat.

- V závislosti na vybavení vozidla musíte znovu nastavit následující data:
 - Kód rádia
 - Hodiny ve vozidle
 - Spínací hodiny
 - Palubní počítač
 - Poloha sedadla

Pokyny k nastavení naleznete v příslušném návodu k obsluze.

Při montáži dodržujte následující pokyny:

- Upevněte součásti kamery, namontované ve vozidle, tak, aby se nemohly za žádných okolností uvolnit (náhlé brzdění, nehoda) **a způsobit úrazy posádce vozidla**.
- Upevněte součásti systému, které jsou instalovány pod kryty, tak, aby se neuvolnily nebo aby nepoškodily jiné součásti a rozvody a aby nemohly narušovat žádné systémy vozidla (řízení, pedály apod.).
- Při vrtání pamatujte na dostatek volného prostoru pro vrták, abyste zabránili vzniku škod (obr. **2**, strana 4).
- Každý otvor odjehlete a ošetřete jej antikoročním prostředkem.
- Vždy dodržujte bezpečnostní pokyny výrobce vozidla.
Některé činnosti (např. na systémech bezpečnostních prvků, jako je AIRBAG apod.) smí provádět pouze školený specializovaný personál.

Při práci na elektrických součástech dodržujte následující pokyny:

- Ke kontrole napětí v elektrických vodičích používejte pouze diodovou zkoušečku (obr. **1** 8, strana 3) nebo voltmetr (obr. **1** 9, strana 3).
Zkoušečky se žárovkami (obr. **1** 12, strana 3) odebírají příliš velké množství proudu, následkem může být poškození elektronického systému vozidla.
- Pamatujte při instalaci elektrických přípojek (obr. **3**, strana 4) na následující:
 - kabely nesmíte zalamovat nebo zkrucovat,
 - kabely se nesmějí dít o rohy a hrany,
 - kabely nesmějí být bez ochrany instalovány v průchodkách s ostrými hranami.
- Izolujte všechny spoje a přípojky.

- Zajištěte kabely proti mechanickému namáhání vázacími páskami nebo izolační páskou, např. ke stávajícím vodičům.

Kamera je vodotěsná. Těsnění kamery ale nejsou odolná proti působení vysokotlaké čističky (obr. 4, strana 4). Při manipulaci s kamerou proto dodržujte následující pokyny:

- Osoby (včetně dětí), které z důvodu svých fyzických, senzorických nebo duševních schopností, nebo své nezkušenosti nebo neznalosti, nejsou schopny bezpečně používat výrobek, nesmějí tento výrobek používat bez dohledu odpovědné osoby nebo bez jejího poučení.
- Kameru neotevírejte, došlo by k narušení její těsnosti a funkčnosti (obr. 5, strana 4).
- Netahejte za kabely, došlo by k narušení těsnosti a funkčnosti kamery (obr. 6, strana 4).
- Kamera není určena pro provoz pod vodou (obr. 7, strana 4).

3 Obsah dodávky

Č. na obr. 8, strana 5	Množství	Název	Č. výrobku
1	1	Kamera	9600000523
2	1	Držák kamery s kabelovou průchodkou	9600000571
3	2	Boční kryt	–
4	1	Systémový kabel	9102200141
–	1	Upevňovací materiál	–
–	1	Návod k montáži a obsluze	–

4 Použití v souladu se stanoveným účelem

Kamera CAM45 (výr. č. 9600000523) je přednostně určena k použití ve vozidlech. Je používána ve videosystémech, které slouží ke sledování oblasti kolem vozidla ze sedadla řidiče, např. při manévrování nebo parkování.



VÝSTRAHA!

Nebezpečí úrazu osob, způsobených vozidlem.

Systémy couvací kamery jsou určeny k podpoře při couvání. **Nezavazují však povinnosti zachovávat během couvání mimořádnou opatrnost.**

5 Technický popis

Kamera s integrovaným mikrofonom je instalována do hliníkového krytu a přenáší obraz a zvuk pomocí kabelu do monitoru. Pomocí infračervených LED dochází ke zlepšení nočního vidění.

Kamera přenáší obraz tak, jako byste se dívali do zpětného zrcátka.

Kameru tvoří mj. následující prvky:

Č. na obr. 9	Název
1	6pólový přívodní kabel
2	Infračervené LED
3	Mikrofon (zadní strana)

6 Pokyny k elektrickému připojení

6.1 Instalace kabelů



POZOR! Nebezpečí poškození!

- Při vrtání otvorů nejprve zkontrolujte, zda je k dispozici dostatek volného prostoru pro vrták.
- Nesprávná instalace kabelů a kabelových spojů vede vždy k závadám nebo poškození součástí. Správná instalace kabelů nebo kabelových spojů je základním předpokladem trvalé a bezchybné funkce instalovaných součástí.
- Kabely nesmí být po delší dobu v kontaktu s rozpouštědly, jako je např. benzín, protože rozpouštědla mohou kabely poškodit.

Dodržujte proto následující pokyny:

- Používejte k instalaci přívodních kabelů podle možnosti originální průchodky nebo jiné možnosti vedení, např. okraje obložení, ventilační mřížky nebo záslepky. Pokud nejsou dostupné žádné průchodky, musíte pro příslušné kabely vyvrtat otvory. Nejdříve se podívejte, zda je na druhé straně případného otvoru dostatek volného místa.
- Podle možností pokládejte kabely vždy uvnitř vozidla, protože tam jsou lépe chráněny než zvenčí vozidla. Pokud kabely i přesto instalujete zvenčí vozidla, dbejte na bezpečné upevnění (použitím vázacích pásek na kabely, izolační pásky apod.).
- K zabránění poškození kabelů pokládejte kabely vždy v dostatečné vzdálenosti od horkých a pohyblivých součástí vozidla (výfukové potrubí, hnací hřídele, dynamo, ventilátory, topení apod.). Z důvodu mechanické ochrany používejte chráničky nebo jiné podobné ochranné materiály.
- Z důvodu ochrany proti vniknutí vody přišroubujte konektorové spoje spojovacích kabelů (obr. **17**, strana 7).

- Pamatujte při instalaci kabelů (obr. **3**, strana 4):
 - kabely nesmíte ostře zalamovat nebo zkrucovat,
 - kabely se nesmějí dít o rohy a hrany,
 - kabely nesmějí být bez ochrany instalovány v průchodkách s ostrými hranami.
- Upevněte kabely ve vozidle bezpečně, abyste zabránili zachycení za kabely (nebezpečí pádu). Můžete to provést použitím vázacích pásků na kabely, izolační pásky nebo lepidla.
- Každý otvor na vnějším plášti vozidla vhodným způsobem chráňte před proniknutím vody, např. použitím kabelu s těsnicí hmotou a zastříkáním kabelu a průchodky těsnicí hmotou.



POZNÁMKA

S utěšňováním otvorů začněte až poté, co dokončíte všechny seřizovací práce na kameře a budou jasné potřebné délky původních kabelů.

7 Montáž kamery

7.1 Potřebné nástroje

K instalaci a montáži potřebujete následující nástroje:

- Sada vrtáků (obr. **1** 1, strana 3)
- Vrtačka (obr. **1** 2, strana 3)
- Šroubovák (obr. **1** 3, strana 3)
- Sada očkových nebo otevřených klíčů (obr. **1** 4, strana 3)
- Měřidlo (obr. **1** 5, strana 3)
- Kladivo (obr. **1** 6, strana 3)
- Důlčík (obr. **1** 7, strana 3)

K elektrickému připojení a k provedení jeho kontroly budete potřebovat následující pomůcky:

- Diodová zkoušečka (obr. **1** 8, strana 3) nebo voltmetr (obr. **1** 9, strana 3)
- Izolační páska (obr. **1** 11, strana 3)
- Příp. kabelové průchodky

K upevnění kabelů budete potřebovat případně ještě další vázací pásky na kabely.

7.2 Montáž kamery



UPOZORNĚNÍ!

Vyberte umístění kamery a upevněte ji natolik bezpečně, aby za žádných okolností nemohly být zraněny osoby v blízkosti vozidla např. tím, že větve strhnou kameru ze střechy vozidla.



POZNÁMKA

Pokud instalací kamery dojde ke změně výšky nebo délky vozidla, která je uvedena v dokumentaci vozidla, musí být znovu provedena kontrola příslušnými institucemi (TÜV, DEKRA apod.).

Provedení kontroly nechejte zanést do dokumentace vozidla příslušným dopravním inspektorem.

Při montáži dodržujte následující pokyny:

- Kameru umístěte z důvodu získání spolehlivého úhlu záběru do výšky minimálně dva metry. Při montáži pamatujte na dostatečnou stabilitu pracoviště.
- Pamatujte, že místo instalace kamery musí nabízet dostatečnou pevnost (za kameru se mohou zachytit např. nízké větve).
- Namontujte držák kamery vodorovně a uprostřed na zádi vozidla (obr. **10**, strana 6).
- Nejbezpečnějším způsobem upevnění jsou šrouby, které procházejí nástavbou (není obsahem dodávky). Dodržujte přitom následující pokyny:
 - Za vybraným místem pro montáž musí být dostatek volného prostoru k provedení montáže.
 - Každý otvor musíte chránit vhodným způsobem proti vniknutí vody (např. použitím šroubů s těsnicí hmotou a ostříkáním vnějších upevňovacích dílů těsnicí hmotou).
 - Nástavba musí v místě instalace nabízet dostatečnou pevnost, aby bylo možné držák kamery dostatečně pevně utáhnout.
- Předem zkontrolujte, zda je dostatek volného místa pro vrták (obr. **2**, strana 4).
- Pokud si nejste jisti místem instalace, které jste vybrali, informujte se u výrobce nástavby nebo u jeho zastoupení.



POZNÁMKA

Z důvodu minimalizace koroze šroubů můžete závit namazat.

Při montáži postupujte takto:

- Podržte držák kamery ve vybraném místě instalace a označte minimálně dva různé vrtané otvory a průchozí otvor pro přívodní kabel (obr. **11**, strana 6).
- Důlčíkem a kladivem proveďte v označených bodech základní otvor tak, abyste zabránili sklouznutí vrtáku při vrtání.

Provedení otvoru průchodky pro přívodní kabel kamery (obr. 12, strana 6)**POZNÁMKA**

Používejte k instalaci přívodních kabelů podle možnosti stávající průchodky, např. ventilační mřížky. Pokud nejsou dostupné žádné průchodky, musíte vyvrtat otvor Ø 16 mm.

**POZOR! Nebezpečí poškození!**

Předem zkontrolujte, zda je dostatek volného místa pro vrták.

- Vyvrtejte ve dříve vyznačené průchodce jeden otvor o velikosti Ø 16 mm.
- Všechny otvory vyvrтанé do plechu odjehlete a opatřete je antikorozií ochranou.

Přišroubování kamery šrouby do plechu (obr. 13, strana 6)**POZOR! Nebezpečí poškození!**

Upevnění pomocí šroubů do plechu smí být provedeno pouze na ocelovém plechu o minimální tloušťce 1,5 mm.

- Vyvrtejte ve vyznačených bodech vždy jeden otvor o velikosti Ø 4 mm.
- Všechny vyvrтанé otvory odjehlete a opatřete je antikorozií ochranou.
- Přišroubujte držák kamery pomocí šroubů do plechu 5 x 20 mm.

Montáž kamery**POZOR! Nebezpečí poškození!**

Používejte k montáži kamery pouze dodané šrouby. Delší šrouby by kameru poškodily.

- Ved'te kabel kamery dovnitř vozidla.
- Nasad'te kameru do držáku kamery.
- Upevn'te kameru **volně** dvěma šrouby M3 x 6 mm v podélných otvorech (obr. 15, strana 6).
- Nasměrujte kameru provizorně tak, aby objektiv svíral úhel cca 50° se svislou osou vozidla (obr. 16, strana 7).

Elektrické připojení kamery**POZNÁMKA**

- Instalujte kabely kamery tak, aby při případné nutné demontáži byl možný snadný přístup ke konektorovým spojům mezi kamerou a prodlužovacím kabelem. Demontáž je tím výrazně zjednoduřena.
- Z důvodu minimalizace koroze naneste na zástrčku trochu maziva, např. mazací tuk na póly.

- Zástrčku kabelu kamery zasuňte do zásuvky prodlužovacího kabelu.
- Z důvodu ochrany proti vniknutí vody přišroubujte konektorový spoj (obr. 17, strana 7).

Nasměrování kamery



POZNÁMKA

K nasměrování kamery musíte případně namontovat monitor a připojit jej (viz principiální schéma zapojení obr. 18, strana 7).

- ▶ Nasměrujte kameru podle obrazu na monitoru:
Na monitoru musí být vidět na spodním okraji zád' nebo nárazník vozidla. Ve střední části monitoru musí být střed nárazníku (obr. 19, strana 7).
- ▶ Zkontrolujte funkci kamery po připojení k monitoru.

Upevnění kamery

- ▶ Utáhněte oba upevňovací šrouby v podélných otvorech držáku monitoru.
- ▶ Nasaďte boční kryty (obr. 20, strana 8).

8 Čištění a péče o kameru



POZOR! Nebezpečí poškození!

Nepoužívejte k čištění žádné tvrdé nebo ostré prostředky, může dojít k poškození přístroje.

- ▶ Příležitostně vyčistěte kameru mírně zvlhčeným měkkým hadříkem.

9 Odpovědnost za vady

Na výrobek je poskytována záruka v souladu s platnými zákony. Zjistíte-li, že je výrobek vadný, zašlete jej do pobočky výrobce ve vaší zemi (adresy viz zadní strana tohoto návodu) nebo specializovanému prodejci.

K vyřízení opravy nebo záruky nezapomeňte odeslat následující:

- Vadné součásti,
- Kopii účtenky s datem zakoupení,
- Uvedení důvodu reklamace nebo popis vady.


10 Likvidace

- ▶ Obalový materiál likvidujte v odpadu určeném k recyklaci.



Jakmile výrobek zcela vyřadíte z provozu, informujte se v příslušných recyklačních centrech nebo u specializovaného prodejce o příslušných předpisech o likvidaci odpadu.

11 Technické údaje

	PerfectView CAM45
Výr. č.:	9600000523
Obrazový senzor:	1/4" CCD
Počet obrazových bodů:	cca 250000 pixelů
Standard videa:	PAL, 1 Vpp
Citlivost:	< 1 luxů/0 luxů s infračervenými LED
Úhel pohledu:	cca 120° diagonálně cca 80° horizontálně cca 65° vertikálně
Provozní napětí:	11 až 16 V===
Spotřeba:	1,2 W
Provozní teplota:	-20 °C až +70 °C
Krytí:	IP69k
Odolnost proti vibracím:	6g
Rozměry Š x V x H (s držákem):	78 x 60 x 50 mm
Hmotnost:	cca 0,18 kg
Certifikace:	

Beépítés és üzembe vétel előtt gondosan olvassa el és őrizze meg ezt a használati útmutatót. Ha a terméket továbbadja, mellékelje hozzá a használati útmutatót is.

Tartalomjegyzék

1	Szimbólumok magyarázata	168
2	Biztonsági és beszerelési tudnivalók	169
3	Szállítási terjedelem	171
4	Rendeltetésszerű használat	171
5	Műszaki leírás	171
6	Megjegyzések az elektromos csatlakozáshoz	172
7	A kamera felszerelése	173
8	A kamera karbantartása és tisztítása	176
9	Szavatosság	176
10	Ártalmatlanítás	176
11	Műszaki adatok	177

1 Szimbólumok magyarázata



FIGYELMEZTETÉS!

Biztonsági tudnivaló: Az utasítás figyelmen kívül hagyása halált vagy súlyos sérülést okozhat.



VIGYÁZAT!

Biztonsági tudnivaló: Az utasítás figyelmen kívül hagyása sérüléseket okozhat.



FIGYELEM!

Ha nem veszi figyelembe az információt, az anyagkárosodást eredményezhet, és káros kihatással lehet a termék működésére.



MEGJEGYZÉS

Kiegészítő információk a termék kezelésével kapcsolatban.

2 Biztonsági és beszerelési tudnivalók

Vegye figyelembe a járműgyártó és a gépjárműszakma által előírt biztonsági megjegyzéseket és előírásokat!

A gyártó a bekövetkező károkért a következő esetekben nem vállal felelősséget:

- szerelési vagy csatlakozási hiba
- a termék mechanikai behatások és túlfeszültségek miatti sérülése
- a termék kifejezett gyártói engedély nélküli módosítása
- az útmutatóban leírt céloktól eltérő felhasználás

Vegye figyelembe az alábbi megjegyzéseket:

- Rövidzárlat veszélye miatt a járműelektronikán végzendő munkák előtt mindig csatlakoztassa le a mínusz pólust.
Pótakkumulátorokkal rendelkező járműveknél arról is csatlakoztassa le a mínusz pólust.
- A nem megfelelő vezetékcsatlakozások következményeképpen rövidzárlat miatt
 - kábeltűz keletkezhet,
 - a légszák kiold,
 - az elektronikus vezérlőberendezések megsérülnek,
 - az elektromos funkciók meghibásodnak (index, féklámpa, kürt, gyújtás, világítás).
- A következő vezetékeken végzendő munkáknál csak szigetelt kábelsarukat, csatlakozódugókat és lapos dugóhüvelyeket használjon:
 - 30 (közvetlen bemenet az akkumulátor pozitív pólusától),
 - 15 (kapcsolt pozitív vezeték, akkumulátor után),
 - 31 (visszamenő vezeték akkumulátortól, föld),
 - 58 (tolatólámpa).

Ne használjon sorkapcsokat.

- A kábelek csatlakoztatásához préselőfogót **(1)** ábra 10, 3. oldal) használjon.
- A csatlakozásoknál a kábelt csavarozza a 31-es vezetékhez (föld)
 - kábelsaruvál és fogazott alátéttel egy a járművön lévő földelőcsavarhoz vagy
 - kábelsaruvál és lemezcsavarral a karosszérialemezhez.

Ügyeljen a jó földelésérintkezésre!

Az akkumulátor mínusz pólusának lecsatlakoztatása esetén a kényelmi elektronikai berendezések felejtő memóriájából az összes tárolt adat törlődik.

- A jármű felszereltségének függvényében a következő adatokat kell újból beállítani:
 - Rádiókód
 - Fedélzeti óra
 - Kapcsolóóra
 - Fedélzeti számítógép
 - Ülész helyzet

A beállításokra vonatkozó megjegyzések a vonatkozó üzemeltetési útmutatóban találhatók.

A szerelés során vegye figyelembe a következő megjegyzéseket:

- A kamera járműben felszerelt alkatrészeit úgy rögzítse, hogy azok semmilyen körülmények között (éles fékezés, közlekedési baleset) ne szabadulhassanak el és ne okozhassák a **jármű utasainak sérülését**.
- A burkolat alatt takarásban lévő alkatrészeket úgy rögzítse, hogy ne szabadulhassanak el és ne sérthessenek meg más alkatrészeket és vezetékeket, illetve ne akadályozhassák a jármű működését (kormányzás, pedálok stb.).
- Fúrásnál a sérülések elkerülése érdekében ügyeljen a kielégítő szabad térre a fúró kilépési helyén (2. ábra, 4. oldal).
- Sorjátlanítsa a furatot és kezelje le rozsdagátló szerrel.
- Mindig vegye figyelembe a járműgyártó biztonsági megjegyzéseit. Bizonyos (például gátlórendszeren - légszákon stb. - végzendő) munkákat csak képzett szakszemélyzet végezhet.

Elektromos alkatrészekon végzendő munkáknál vegye figyelembe a következő megjegyzéseket:

- Elektromos vezetékek feszültségének ellenőrzéséhez csak diódás ellenőrző lámpát (1. ábra 8, 3. oldal) vagy feszültségmérőt (1. ábra 9, 3. oldal) használjon. Világítótesttel rendelkező ellenőrző lámpák (1. ábra 12, 3. oldal) túl nagy áramot vesznek fel, ami a jármű-elektronikát károsíthatja.
- Elektromos csatlakozások (3. ábra, 4. oldal) kialakításánál ügyeljen arra, hogy azok
 - ne legyenek megtörve vagy megcsavarodva,
 - ne sűrűdjanak peremeken,
 - ne legyenek védelem nélkül éles peremű átvezetéseken keresztülvezetve.
- Szigetelje le az összes összekötést és csatlakozást.
- Biztosítsa a kábeleket mechanikus igénybevétel ellen kábelkötözővel vagy szigetelőszalaggal, például a meglévő vezetékeken.

A kamera vízálló. A kamera tömitései azonban magas nyomású tisztítóval szemben hatástalanok (4. ábra, 4. oldal). Ezért vegye figyelembe a kamera kezelésével kapcsolatos következő megjegyzéseket:

- Azok a személyek (beleértve a gyermekeket is), akik fizikai, érzékszervi vagy szellemi képességeik, illetve tapasztalatlanságuk vagy tudatlanságuk miatt a terméket nem tudják biztonságosan használni, ezt a terméket nem használhatják felelős személy felügyelete vagy utasítása nélkül.
- Ne nyissa ki a kamerát, mivel azzal csökkenti tömitettségét és működőképességét (5. ábra, 4. oldal).
- Ne húzza erővel a kábelt, mivel az csökkenti tömitettségét és működőképességét (6. ábra, 4. oldal).
- A kamera nem alkalmas víz alatti üzemeltetésre (7. ábra, 4. oldal).

3 Szállítási terjedelem

Szám 8. ábra, 5. oldal	Mennyiség	Megnevezés	Cikkszám
1	1	Kamera	9600000523
2	1	Kameratartó kábelátvezető gyűrűvel	9600000571
3	2	Oldalborítás	–
4	1	Rendszerkábel	9102200141
–	1	Rögzítőanyag	–
–	1	Szerelési és kezelési útmutató	–

4 Rendeltetésszerű használat

A CAM45 (cikkszám: 9600000523) kamera elsősorban járművekben való felhasználásra alkalmas. Felhasználható olyan kamerarendszerekben, amelyek a jármű körüli terület vezetőülésemből történő megfigyelésére szolgálnak, például tolatásnál vagy parkolásnál.



FIGYELMEZTETÉS!

Személyi sérülések jármű általi veszélye.

A tolatókamera-rendszerek a tolatásnál nyújtanak támogatást, ugyanakkor **nem adnak felmentést a tolatásnál tanúsítandó elővigyázatossági kötelezettség alól.**

5 Műszaki leírás

Az integrált mikrofonnal felszerelt kamera alumíniumházban van elhelyezve és a képet és hangot kábelen keresztül juttatja el egy monitorhoz. Az éjszakai látás javításáról infravörös LED-ek gondoskodnak.

A kamera a képet úgy továbbítja, mintha a kép a visszapillantó tükörben jelenne meg.

A kamera többek között a következő elemekből áll:

Szám 9. ábra, 5. oldal	Megnevezés
1	6 pólusú csatlakozókábel
2	Infravörös LED-ek
3	Mikrofon (hátdoldal)

6 Megjegyzések az elektromos csatlakozáshoz

6.1 Kábelek elhelyezése



FIGYELEM! Sérülésveszély!

- Lyukak fúrása előtt ellenőrizze, hogy elegendő szabad hely van-e a fúrónak az átjutáshoz.
- A szakszerűtlen kábelehelyezések és kábel-összeköttetések ismételtlen hibás működést eredményeznek vagy alkatrészek sérülését okozzák. Az utólagosan felszerelt komponensek tartós és hibátlan működésének feltétele a szakszerűen kialakított kábelehelyezés és kábel-összeköttetés.
- A kábeleknek nem szabad hosszabb ideig oldószerekkel (például benzinnel) érintkezniük, mivel az oldószer a kábeleket károsíthatják.

Ezért vegye figyelembe a következő megjegyzéseket:

- A csatlakozókábelek átvezetésénél lehetőség szerint eredeti átvezetéseket vagy más átvezetési lehetőségeket használjon (például burkolóeleket, szellőzőrácsokat vagy vakkapcsolókat). Ha nincsenek átvezetések, akkor a vonatkozó kábelekhez megfelelő lyukakat kell fúrnia. Először annak nézzen utána, hogy a fúró átjutásához elegendő szabad tér áll-e rendelkezésre.
- A kábeleket lehetőség szerint mindig a jármű belsejében vezesse, mivel ott azok jobban védve vannak mint a járművön kívül.
Ha a kábeleket ennek ellenére a járművön kívül helyezi el, akkor ügyeljen azok biztos rögzítésére (kiegészítő kábelkötözőkkel, szigetelőszalaggal stb.).
- A kábel sérüléseit megelőzendő a kábelek elhelyezésénél mindig tartson kielégítő távolságot a forró és mozgó jármű-alkatrészekről (kipufogócsövek, hajtótengelyek, áramgenerátor, ventilátor, fűtés stb.). A mechanikus védelemhez használjon bordáscsövet vagy hasonló védőanyagot.
- A csatlakozókábelek csatlakozódugóit a víz behatolása elleni védelem érdekében csavarozza össze (17. ábra, 7. oldal).
- A kábelek elhelyezésekor (3. ábra, 4. oldal) ügyeljen arra, hogy azok
 - ne legyenek túlságosan megtörve vagy megcsavarodva,
 - ne súrlódjanak peremeken,
 - ne legyenek védelem nélkül éles peremű átvezetéseken keresztülvezetve.
- A kábeleket a járműben a beleakadás elkerülése érdekében (botlásveszély miatt) biztonságosan rögzítse. Ez kábelkötözők vagy szigetelőszalag alkalmazásával, illetve ragasztóanyaggal való odaragasztással történhet.
- Védje a külső burkolat minden áttörését vízbehatolás elleni megfelelő intézkedésekkel (például a kábel tömítőanyaggal történő alkalmazásával és a kábel és az átvezetőkarika tömítőanyaggal való lepermetezésével).



MEGJEGYZÉS

Először az áttörések szigetelésével kezdje, miután a kamera valamennyi beállítási műveletét elvégezte és a csatlakozókábelek szükséges hosszát meghatározta.

7 A kamera felszerelése

7.1 Szükséges szerszám

A **beépítéshez és szereléshez** a következő szerszámok szükségesek:

- Fúrókészlet (1. ábra 1, 3. oldal)
- Fúrógép (1. ábra 2, 3. oldal)
- Csavarhúzó (1. ábra 3, 3. oldal)
- Villás- vagy csillagkulcskészlet (1. ábra 4, 3. oldal)
- Mérőszalag (1. ábra 5, 3. oldal)
- Kalapács (1. ábra 6, 3. oldal)
- Pontozó (1. ábra 7, 3. oldal)

Az **elektromos csatlakoztatáshoz** és teszteléséhez a következő segédeszközök szükségesek:

- Diódás ellenőrző lámpa (1. ábra 8, 3. oldal) vagy feszültségmérő (1. ábra 9, 3. oldal)
- Szigetelőszalag (1. ábra 11, 3. oldal)
- Adott esetben kábelátvezető hüvelyek

A **kábelek rögzítéséhez** adott esetben még további kábelkötözők lehetnek szükségesek.

7.2 A kamera felszerelése



VIGYÁZAT!

A kamera helyét úgy válassza meg és a kamerát úgy rögzítse biztonságosan, hogy a közelben álló személyek semmilyen körülmények között ne sérülhessenek meg (például azért, mert a jármű tetejét súroló ágak a kamerát lecsodorhatják).



MEGJEGYZÉS

Ha a jármű - forgalmi engedélyében feltüntetett - magassága vagy hossza a kamera felszerelése miatt változik, akkor az illetékes hatóság általi új engedélyezési eljárást (TÜV, DEKRA stb.) kell lefolytatni.

Az új engedélyezést vezettesse át az illetékes hatósággal a jármű forgalmi engedélyébe.

A szerelés során vegye figyelembe a következő megjegyzéseket:

- A kamerát az ésszerű látószög elérése érdekében legalább két méter magasságban helyezze el.
A felszerelés során ügyeljen a megfelelően stabil munkahelyre.
- Ügyeljen arra, hogy a kamera felszerelési helye kellő szilárdságú legyen (például a jármű tetejét súroló ágak megakadhatnak a kamerában).
- A kameratartót vízszintesen és a jármű hátsó részén, középre szerelje fel (10. ábra, 6. oldal).

- A rögzítés legbiztosabban a felépítményen keresztül menő csavarokkal oldható meg (a csomag nem tartalmazza). Ennek során vegye figyelembe a következő megjegyzéseket:
 - A kiválasztott szerelési hely mögött kellő szabad térnek kell lennie a szereléshez.
 - Minden áttörést megfelelő intézkedésekkel kell vízbehatalás ellen védeni (például a csavarok tömítőanyaggal történő behelyezésével és/vagy a külső rögzítő alkatrészek tömítőanyaggal történő lepermetezésével).
 - A rögzítési helyek felépítményének kellő szilárdsággal kell rendelkeznie, hogy a kameratartót kellő feszességgel lehessen meghúzni.
- Először azt ellenőrizze, hogy a fúró átjutásához elegendő szabad hely áll-e rendelkezésre (2. ábra, 4. oldal).
- Ha a kiválasztott szerelési hely alkalmasságára vonatkozóan nincsenek kellő információi, forduljon a felépítmény gyártójához vagy annak képviselőjéhez.



MEGJEGYZÉS

A csavarok korróziójának minimalizálása érdekében a meneteket zsírozza be.

A szerelés során a következő módon járjon el:

- ▶ Tartsa oda a kameratartót a kiválasztott szerelési helyhez és jelöljön be legalább két különböző fúrési pontot és a csatlakozókábel átvezetési helyét (11. ábra, 6. oldal).
- ▶ Az előzetesen megjelölt pontokat kalapáccsal és pontozóval készítse elő a fúró elcsúszásának megakadályozásához.

Áttörés készítése a kamera csatlakozókábeléhez (12. ábra, 6. oldal)



MEGJEGYZÉS

A csatlakozókábelek átvezetésénél lehetőség szerint meglévő átvezetési lehetőségeket használjon (például szellőzőrácsot). Ha nincsenek átvezetések, akkor Ø 16 mm-es lyukat kell fúrnia.



FIGYELEM! Sérülésveszély!

Először azt ellenőrizze, hogy a fúró átjutásához elegendő szabad tér áll-e rendelkezésre.

- ▶ Az előzőleg megjelölt átvezetésnél készítsen egy Ø 16 mm-es furatot.
- ▶ Sorjátlanítsa a lemezben készített valamennyi furatlyukat és lássa el őket rozsdavédelemmel.

Lemezcsavarokkal csavarozza fel a kamerát (13. ábra, 6. oldal)**FIGYELEM! Sérülésveszély!**

A lemezcsavarokkal történő rögzítés csak legalább 1,5 mm-es lemezvastagságú acéllemezekben történhet.

- Az előzőleg megjelölt pontokon készítsen egy-egy Ø 4 mm-es furatot.
- Sorjátlanítsa valamennyi furatlyukat és lássa el őket rozsdavédelemmel.
- Csavarozza fel a kameratartót az 5 x 20 mm-es lemezcsavarokkal.

A kamera felszerelése**FIGYELEM! Sérülésveszély!**

A kamera felszereléséhez csak a mellékelt csavarokat használja. Hosszabb csavaroktól a kamera megsérülhet.

- Vezesse a kamerakábelt a jármű belsejébe.
- Tolja be a kamerát a kameratartóba.
- **Lazán** rögzítse a kamerát a két M3 x 6 mm-es csavarral a hosszanti furatokban (15. ábra, 6. oldal).
- Igazítsa be a kamerát előzetesen úgy, hogy az objektív kb. 50°-os szögben álljon a jármű tengelyéhez képest (16. ábra, 7. oldal).

A kamera elektromos csatlakoztatása**MEGJEGYZÉS**

- A kamera kábelét úgy helyezze el, hogy a kamera esetleges szükségessé váló kiszérése esetén könnyedén hozzáférhessen a kamera és a hosszabbítókábel közötti dugócsatlakozóhoz. Ez a leszerelést jelentősen leegyszerűsíti.
- A csatlakozódugó korróziójának minimalizálása érdekében tegyen valamennyi zsírt (például póluszsírt) a csatlakozódugók egyikébe.

- Illessze be a kamerakábel másik csatlakozódugóját a hosszabítókábel aljzatába.
- A dugócsatlakozókat a víz behatolása elleni védelem érdekében csavarozza össze (17. ábra, 7. oldal).

A kamera beigazítása



MEGJEGYZÉS

A kamera beigazításához adott esetben még egy monitort is fel kell szerelnie és elektromosan csatlakoztatnia (lásd az elvi csatlakozási rajzot: **18.** ábra, 7. oldal).

- ▶ Igazítsa be a kamerát a monitor képe alapján:
 - A monitorkép alsó képszelén a jármű hátuljának, illetve lökhárítójának kell látszania. A lökhárító közepének is a monitorkép közepén kell lennie (**19.** ábra, 7. oldal).
- ▶ Ellenőrizze a kamera funkcióját, miután azt egy monitorhoz csatlakoztatta.

A kamera rögzítése

- ▶ Húzza meg a két rögzítőcsavart a monitortartó hosszanti furataiban.
- ▶ Helyezze fel az oldalborítást (**20.** ábra, 8. oldal).

8 A kamera karbantartása és tisztítása



FIGYELEM! Sérülésveszély!

Ne használjon éles vagy kemény eszközöket a tisztításhoz, mivel azok a készülék sérülését okozhatják.

- ▶ Alkalmanként tisztítsa meg a kamerát puha, nedves ruhával.

9 Szavatosság

A termékre a törvény szerinti szavatossági időszak érvényes. A termék meghibásodása esetén forduljon a gyártói lerakathoz (a címeket lásd jelen útmutató hátoldalán), illetve az illetékes szakkereskedőhöz.

A javításhoz, illetve a szavatossági adminisztrációhoz a következő dokumentumokat kell beküldenie:

- hibás részegységek,
- a számla vásárlási dátummal rendelkező másolatát,
- a reklamáció okát vagy a hibát tartalmazó leírást.


10 Ártalmatlanítás

- ▶ A csomagolóanyagot lehetőleg a megfelelő újrahasznosítható hulladék közé tegye.



Ha a terméket véglegesen kivonja a forgalomból, kérjük, tájékozódjon a legközelebbi hulladékártalmatlanító központnál vagy a szakkereskedőjénél az idevonatkozó ártalmatlanítási előírásokkal kapcsolatban.

11 Műszaki adatok

	PerfectView CAM45
Cikkszám:	9600000523
Képezékelő:	1/4" CCD
Képpontok:	kb. 250000 pixel
Videoszabvány:	PAL, 1 Vpp
Érzékenység:	< 1 Lux / 0 Lux infravörös LED-ekkel
Látószög:	kb. 120° átlósan kb. 80° vízszintesen kb. 65° függőlegesen
Üzemi feszültség:	11 – 16 V $\overline{=}$
Fogyasztás:	1,2 W
Üzemi hőmérséklet:	-20 °C és +70 °C között
Védettség:	IP69k
Rezgésállóság:	6g
Méretetek (szélesség x magasság x mélység, tartóval):	78 x 60 x 50 mm
Súly:	kb. 0,18 kg
Engedély:	

AUSTRALIA

Domestic Australia Pty. Ltd.

1 John Duncan Court
Varsity Lakes QLD 4227
☎ 1800 212121
☎ +61 7 55076001
Mail: sales@dometic.com.au

AUSTRIA

Domestic Austria GmbH

Neudorferstraße 108
A-2353 Guntramsdorf
☎ +43 2236 908070
☎ +43 2236 90807060
Mail: info@dometic.at

BENELUX

Domestic Branch Office Belgium

Lourdesstraat 84
B-8940 Geluwe
☎ +32 2 3598040
☎ +32 2 3598050
Mail: info@dometic.be

BRAZIL

Domestic DO Brasil LTDA

Avenida Paulista 1754, conj. 111
SP 01310-920 Sao Paulo
☎ +55 11 3251 3352
☎ +55 11 3251 3362
Mail: info@dometic.com.br

DENMARK

Domestic Denmark A/S

Nordensvej 15, Taulov
DK-7000 Fredericia
☎ +45 75585966
☎ +45 75586307
Mail: info@dometic.dk

FINLAND

Domestic Finland OY

Mestarintie 4
FIN-01730 Vantaa
☎ +358 20 7413220
☎ +358 9 7593700
Mail: info@dometic.fi

FRANCE

Domestic SAS

ZA du Pré de la Dame Jeanne
B.P. 5
F-60128 Plailly
☎ +33 3 44633525
☎ +33 3 44633518
Mail : vehiculesdeloisirs@dometic.fr

HONG KONG

Domestic Group Asia Pacific

Suites 2207-11 · 22/F · Tower 1
The Gateway · 25 Canton Road,
Tsim Sha Tsui · Kowloon
☎ +852 2 4611386
☎ +852 2 4665553
Mail: info@waeco.com.hk

HUNGARY

Domestic Zrt. Sales Office

Kerékgyártó u. 5.
H-1147 Budapest
☎ +36 1 468 4400
☎ +36 1 468 4401
Mail: budapest@dometic.hu

GERMANY**Dometic WAECO International GmbH**

Hollefeldstraße 63 · D-48282 Emsdetten

☎ +49 (0) 2572 879-0 · 📠 +49 (0) 2572 879-300

Mail: info@dometic-waeco.de

dometic.com

**ITALY****Dometic Italy S.r.l.**

Via Virgilio, 3

I-47122 Forlì (FC)

☎ +39 0543 754901

📠 +39 0543 754983

Mail: vendite@dometic.it

JAPAN**Dometic KK**

Maekawa-Shibaura, Bldg. 2

2-13-9 Shibaura Minato-ku

Tokyo 108-0023

☎ +81 3 5445 3333

📠 +81 3 5445 3339

Mail: info@dometic.jp

MEXICO**Dometic Mx, S. de R. L. de C. V.**

Circuito Médicos No. 6 Local 1

Colonia Ciudad Satélite

CP 53100 Naucalpan de Juárez

Estado de México

☎ +52 55 5374 4108

📠 +52 55 5393 4683

Mail: info@dometic.com.mx

NETHERLANDS**Dometic Benelux B.V.**

Ecustraat 3

NL-4879 NP Etten-Leur

☎ +31 76 5029000

📠 +31 76 5029019

Mail: info@dometic.nl

NEW ZEALAND**Dometic New Zealand Ltd.**

PO Box 12011

Penrose

Auckland 1642

☎ +64 9 622 1490

📠 +64 9 622 1573

Mail: customerservices@dometic.co.nz

NORWAY**Dometic Norway AS**

Østerøyveien 46

N-3232 Sandefjord

☎ +47 33428450

📠 +47 33428459

Mail: firmapost@dometic.no

POLAND**Dometic Poland Sp. z o.o.**

Ul. Puławska 435A

PL-02-801 Warszawa

☎ +48 22 414 3200

📠 +48 22 414 3201

Mail: info@dometic.pl

PORTUGAL**Dometic Spain, S.L.**

Branch Office em Portugal

Rot. de São Gonçalo nº 1 – Esc. 12

2775-399 Carcavelos

☎ +351 219 244 173

📠 +351 219 243 206

Mail: info@dometic.pt

RUSSIA**Dometic RUS LLC**

Komsomolskaya square 6-1

RU-107140 Moscow

☎ +7 495 780 79 39

📠 +7 495 916 56 53

Mail: info@dometic.ru

SINGAPORE**Dometic Pte Ltd**

18 Boon Lay Way

06-141 Trade Hub 21

Singapore 609966

☎ +65 6795 3177

📠 +65 6862 6620

Mail: dometic@dometic.com.sg

SLOVAKIA**Dometic Slovakia s.r.o.**

Sales Office Bratislava

Nádražná 34/A

900 28 Iľánka pri Dunaji

☎ / 📠 +42 1 2 45 529 680

Mail: bratislava@dometic.com

SOUTH AFRICA**Dometic (Pty) Ltd.**

Regional Office

South Africa & Sub-Saharan Africa

2 Avalon Road

West Lake View Ext 11

Modderfontein 1645

Johannesburg

☎ +27 87 3530380

Mail: info@dometic.co.za

SPAIN**Dometic Spain S.L.**

Avda. Sierra del Guadarrama, 16

E-28691 Villanueva de la Cañada

Madrid

☎ +34 91 833 60 89

📠 +34 900 100 245

Mail: info@dometic.es

SWEDEN**Dometic Scandinavia AB**

Gustaf Melins gata 7

SE-42131 Västra Frölunda

☎ +46 31 7341100

📠 +46 31 7341101

Mail: info@dometicgroup.se

SWITZERLAND**Dometic Switzerland AG**

Riedackerstrasse 7a

CH-8153 Rümlang

☎ +41 44 8187171

📠 +41 44 8187191

Mail: info@dometic.ch

UNITED ARAB EMIRATES**Dometic Middle East FZCO**

P. O. Box 17860

S-D 6, Jebel Ali Freezone

Dubai

☎ +971 4 883 3858

📠 +971 4 883 3868

Mail: info@dometic.ae

UNITED KINGDOM**Dometic UK Ltd.**

Dometic House, The Brewery

Blandford St. Mary

Dorset DT11 9LS

☎ +44 344 626 0133

📠 +44 344 626 0143

Mail: customerservices@dometic.co.uk

USA**Dometic RV Division**

1120 North Main Street

Elkhart, IN 46515

☎ +1 574-264-2131